

5227835-1 ✓ ACTIVE

TE Internal #: 5227835-1

TNC RF Interface, Jack, 50 ohm, Screw, 11 GHz Operating Frequency, Cable-to-Board, 1 Position, Printed Circuit Board, Panel Mount

[View on TE.com >](#)



Connectors > RF Connectors > Coax Connectors



RF Interface: **TNC**

RF Connector Style: **Jack**

RF Connector Mated Outer Diameter (Approximate): **16.26 mm [ .64 in ]**

Impedance: **50 Ω**

RF Connector Coupling Mechanism: **Screw**

## Features

### Product Type Features

RF Interface	TNC
RF Connector Style	Jack
Connector System	Cable-to-Board
Sealable	No
Connector & Contact Terminates To	Printed Circuit Board

### Configuration Features

PCB Mount Orientation	Vertical
Number of Positions	1
Number of Coaxial Contacts	1

### Electrical Characteristics

Impedance	50 Ω
-----------	------

### Body Features

Body Material	Zinc
Body Plating Material	Nickel

### Contact Features

RF Connector Center Contact Underplating Material	Nickel
RF Connector Center Contact Plating Material	Gold
RF Connector Center Contact Material	Phosphor Bronze



### Termination Features

Termination Post & Tail Length	5.33 mm[.21 in]
Termination Method to PCB	Through Hole - Solder

### Mechanical Attachment

PCB Mount Retention	With
RF Connector Coupling Mechanism	Screw
Connector Mounting Type	Panel Mount
RF Contact Captivation Method	Mechanical
Detent	Without

### Dimensions

Profile Height from PCB	35.57 mm[1.4 in]
RF Connector Mated Outer Diameter (Approximate)	16.26 mm[.64 in]

### Usage Conditions

Operating Temperature Range	-55 – 85 °C[-67 – 185 °F]
-----------------------------	---------------------------

### Operation/Application

Operating Frequency	11 GHz
---------------------	--------

### Packaging Features

Packaging Method	Tray
------------------	------

### Other

Dielectric Material	Polymethylpentene
---------------------	-------------------

### Product Compliance

For compliance documentation, visit the product page on [TE.com](https://www.te.com)>

EU RoHS Directive 2011/65/EU	Compliant with Exemptions
EU ELV Directive 2000/53/EC	Compliant with Exemptions
China RoHS 2 Directive MIIT Order No 32, 2016	Restricted Materials Above Threshold
EU REACH Regulation (EC) No. 1907/2006	Current ECHA Candidate List: JUNE 2024 (241) Candidate List Declared Against: JUNE 2024 (241) SVHC > Threshold: Pb (3.7% in Component Part)

#### Article Safe Usage Statements:

Do not eat, drink or smoke when using this product. Wash thoroughly after handling. Recycle if possible and dispose of the article by following all applicable governmental regulations relevant to your geographic location.



Halogen Content Low Halogen - Br, Cl, F, I < 900 ppm per homogenous material. Also BFR/CFR/PVC Free

Solder Process Capability Wave solder capable to 265°C

**Product Compliance Disclaimer**

This information is provided based on reasonable inquiry of our suppliers and represents our current actual knowledge based on the information they provided. This information is subject to change. The part numbers that TE has identified as EU RoHS compliant have a maximum concentration of 0.1% by weight in homogenous materials for lead, hexavalent chromium, mercury, PBB, PBDE, DBP, BBP, DEHP, DIBP, and 0.01% for cadmium, or qualify for an exemption to these limits as defined in the Annexes of Directive 2011/65/EU (RoHS2). Finished electrical and electronic equipment products will be CE marked as required by Directive 2011/65/EU. Components may not be CE marked. Additionally, the part numbers that TE has identified as EU ELV compliant have a maximum concentration of 0.1% by weight in homogenous materials for lead, hexavalent chromium, and mercury, and 0.01% for cadmium, or qualify for an exemption to these limits as defined in the Annexes of Directive 2000/53/EC (ELV). Regarding the REACH Regulation, the information TE provides on SVHC in articles for this part number is based on the latest European Chemicals Agency (ECHA) 'Guidance on requirements for substances in articles' posted at this URL: <https://echa.europa.eu/guidance-documents/guidance-on-reach>

### Compatible Parts



TE Part # ANT-450-HSW-TNC  
Antenna HSW 450 IP67 TNC Jack



TE Part # L9000352-01  
Magnetic Base RPS Jack MR195 1M TNC Plug

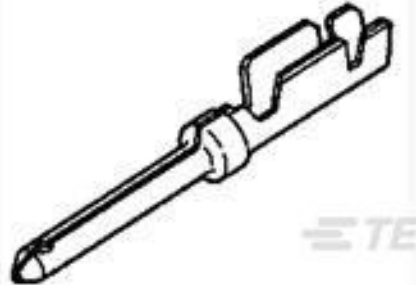


TE Part # L9000355-01  
Magnetic Base SMA Jack MR195 1M TNC Plug

### Customers Also Bought



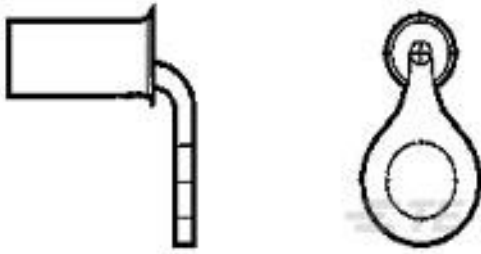
TE Part #748364-1  
15 HD22 CRIMP SNAP PLUG



TE Part #1658670-2  
PIN CONTACT, 22-28 AWG, 22 DF, AMPLIMITE



TE Part #2127931-2  
SFP+ to SFP+ I/O Cable Assembly: 30 AWG



TE Part #321262  
TERM, SOLIS, RT, 22-16, #6, 90 BEND



TE Part #2-1734839-4  
FPC CONN. 0.5MM PITCH T/C, 24P



TE Part #6-146130-1  
24 MODII HDR DRST SFMNT B/A LF



TE Part #5748536-1  
KIT, RCPT, 9P, HDP-20, SHLD HDWRE



TE Part #2373965-1  
CPA, AMPSEAL



## Documents

### Product Drawings

[TNC PCB VERT JACK W/POST](#)

English

### CAD Files

[3D PDF](#)

3D

Customer View Model

[ENG\\_CVM\\_CVM\\_5227835-1\\_A.2d\\_dxf.zip](#)

English

Customer View Model

[ENG\\_CVM\\_CVM\\_5227835-1\\_A.3d\\_igs.zip](#)

English

Customer View Model

[ENG\\_CVM\\_CVM\\_5227835-1\\_A.3d\\_stp.zip](#)

English

By downloading the CAD file I accept and agree to the [Terms and Conditions](#) of use.

### Datasheets & Catalog Pages

[BNC Connectors](#)

English