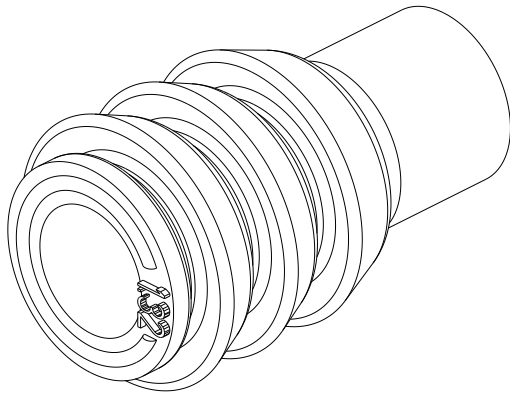
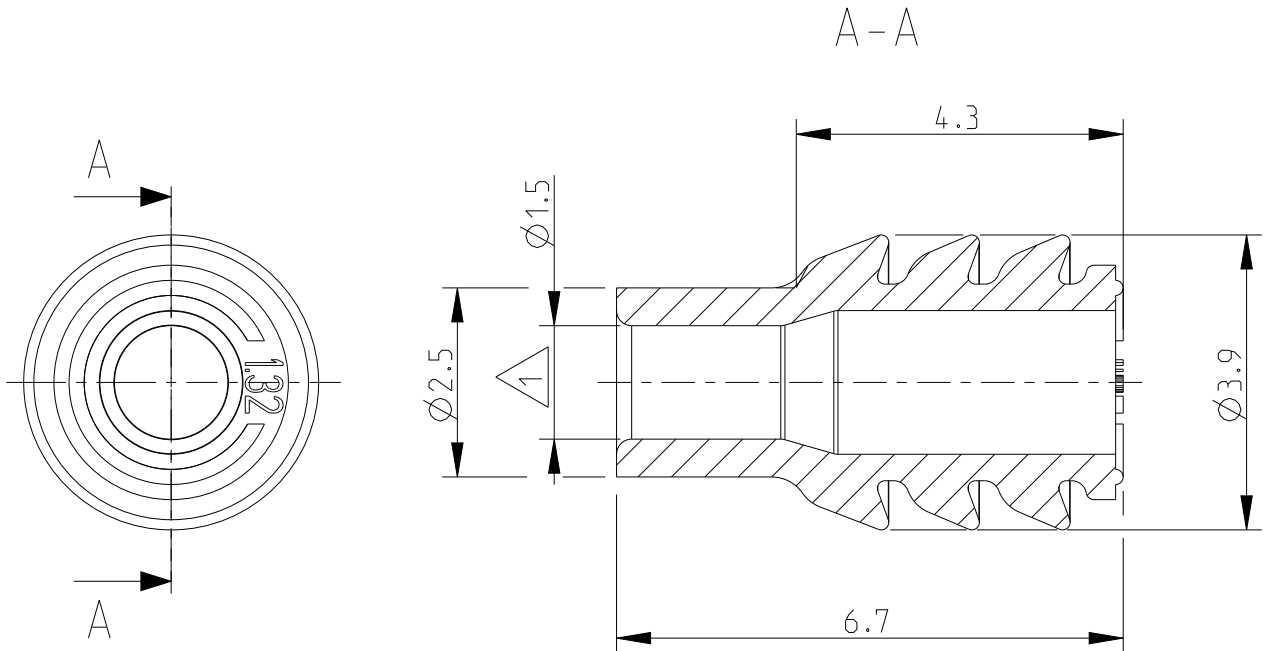


REVISIONS					
P	LTR	DESCRIPTION	DATE	DWN	APVD
	A1	RELEASED (ECO-16-003148)	03MAR2016	M.G.	M.G.
	A2	(-2) DASH VARIANT ADDED	16OCT2023	BV	GB



1 FOR WIRE INSULATION  
 $\varnothing$  2.2 - 2.4mm (1,5mm<sup>2</sup>)

Tested on ACW cable insulation only.	BROWN (RAL 8011) or similar	Silicone 50 Shore A lubricated	2287497-2	A
Tested on FLR cable insulation only.	GREEN	Silicone 50 Shore A lubricated	2287497-1	A
NOTE	COLOUR	MATERIAL	P/N	REV.

20

RELEASED FOR PUBLICATION

ALL RIGHTS RESERVED.

THIS DRAWING IS UNPUBLISHED.

BY -

© COPYRIGHT 20

DIMENSIONS: mm	DWN M. GHISOLFI 12MAR2015	MATERIAL	FINISH -
TOLERANCES UNLESS OTHERWISE SPECIFIED:	CHK M.GURLINO 12MAR2015		
0 PLC ±	APVD -		
1 PLC ±0.2	PRODUCT SPEC -	NAME SINGLE WIRE SEAL FOR 1,5mm CONTACT SYSTEM	
2 PLC ±	APPLICATION SPEC -	SIZE A 4	CAGE CODE -
3 PLC ±	WEIGHT -	DRAWING NO C=2287497	RESTRICTED TO -
4 PLC ±			
ANGLES ±			
	CUSTOMER DRAWING	SCALE 10:1	SHEET 1 OF 1
			REV A2