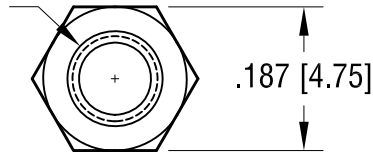
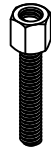


THIS DOCUMENT IS THE PROPERTY OF
KEYSTONE ELECTRONICS CORP. AND
SHALL NOT BE REPRODUCED, DISTRIBUTED
OR USED AS A BASIS FOR MANUFACTURE
WITHOUT PRIOR WRITTEN PERMISSION
FROM KEYSTONE ELECTRONICS CORP.

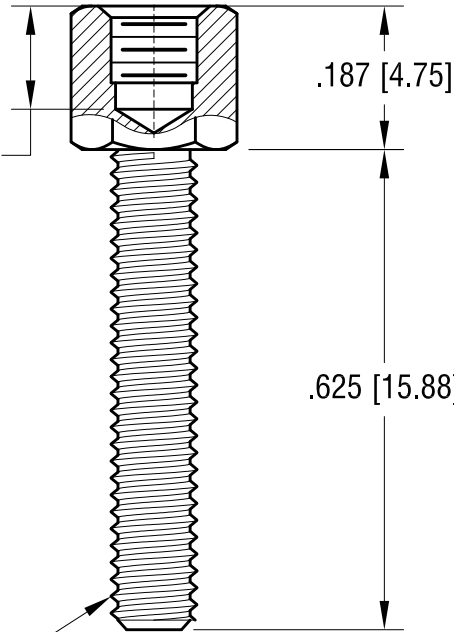
4-40 THREAD x
.100 [2.54] MIN. DEEP



ACTUAL SIZE



.156 [3.96] MAX.
DRILL DEPTH



4-40
THREAD

KEYSTONE ELECTRONICS CORP.

www.keyelco.com • NEW HYDE PARK NY 11040 • Tel (516)328-7500

PART NAME

JACK SCREW

MATERIAL

STEEL

FINISH ZINC PLATE
CLEAR CHROMATE

DRN BY BOONE

DATE 3.07.94

APP'D RH

SCALE 4X

TOLERANCES INCH [MM]
DECIMAL $\pm .005$ [± 0.13]
ANGULAR $\pm 1^\circ$
UNLESS OTHERWISE SPECIFIED

CODE
C

DWG NO.

7232-5

12.13.23 SPLIT C/M DARWING TO 'C' &'M
CHANGE AS PER ECN 23-307

A

REV.

DATE

DESCRIPTION