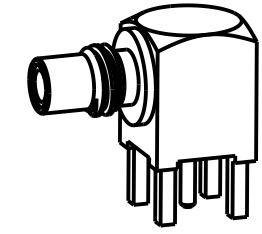
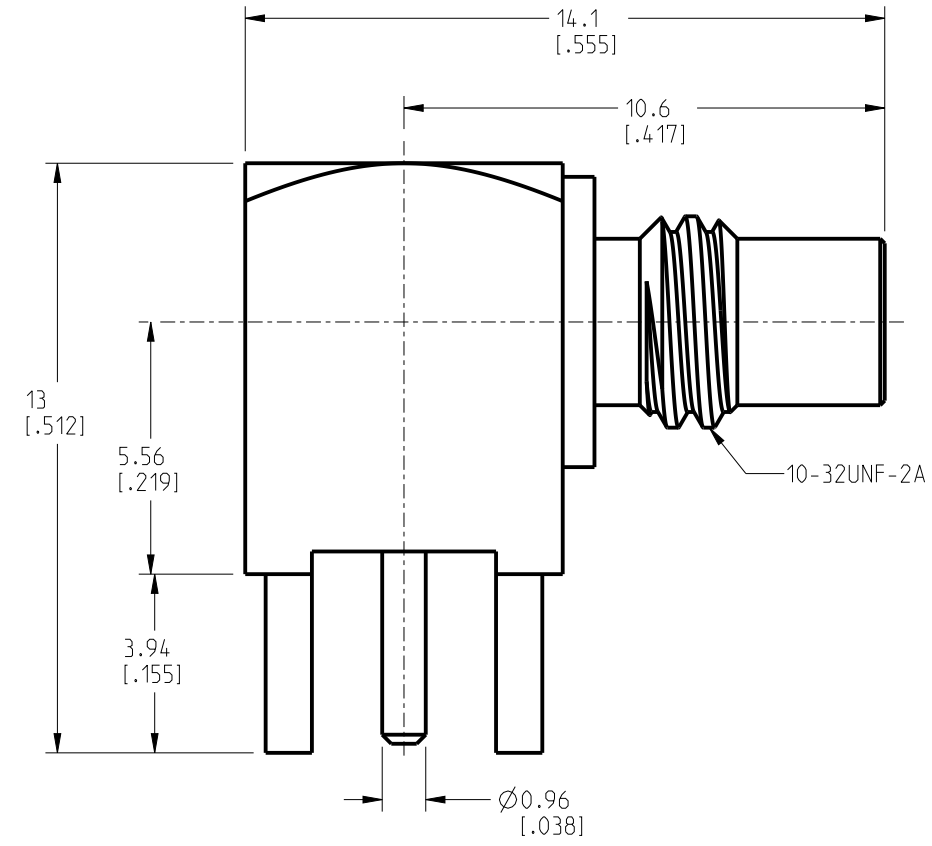


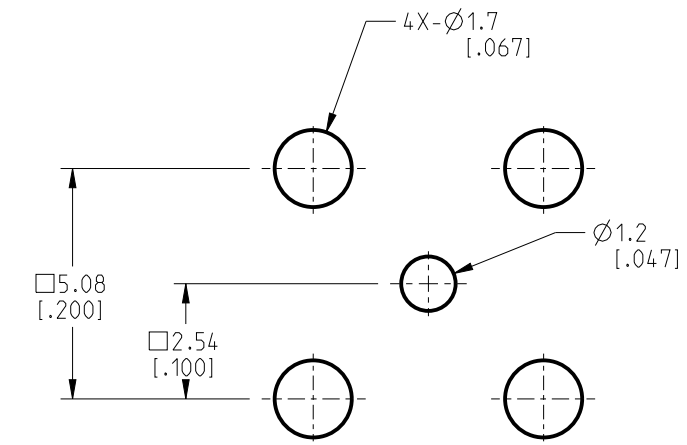
NOTES:

1. MATERIALS AND FINISHES:
 HOUSING - BRASS, GOLD PLATING
 BODY - BRASS, GOLD PLATING
 CONTACT - BRASS, GOLD PLATING
 INSULATOR - PTFE, NATURAL
2. ELECTRICAL:
 A. IMPEDANCE: 50 OHM
 B. FREQUENCY RANGE: DC-10 GHz
 C. DIELECTRIC WITHSTANDING VOLTAGE: 750 VRMS, MIN.
3. MECHANICAL:
 A. DURABILITY: 500 CYCLES MIN.
 B. TEMPERATURE RANGE: -65°C TO 165°C
4. PACKAGING:
 A. QUANTITY: SINGLE PACK
 B. MARKING: PACKAGING TO BE MARKED
 "AMPHENOL RF, 152123, AND DATE CODE"

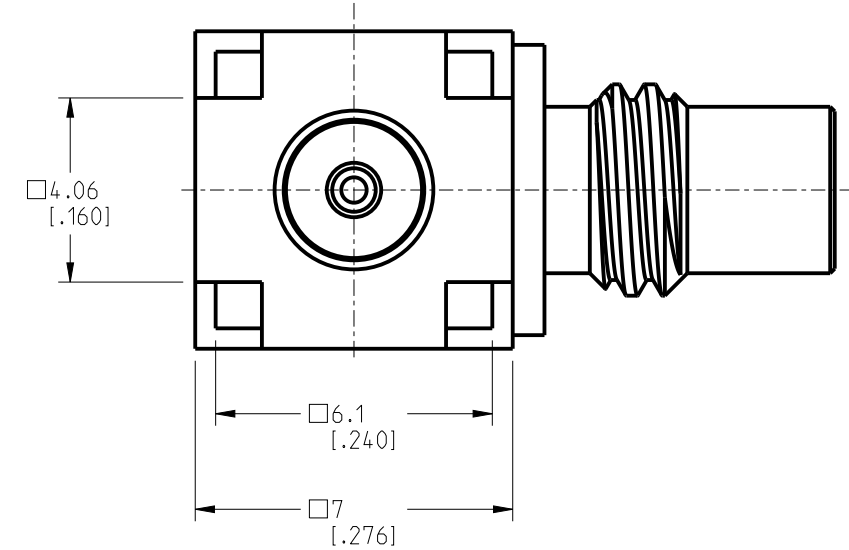
REVISIONS				
REV	DESCRIPTION	DATE	ECN	BY
A	UPDATE DRAWING FORMAT	3/27/2005	---	---
B	DRAWING UPDATES	3/12/2021	15575	DG



SCALE 2.000



PCB MOUNTING HOLES



CUSTOMER OUTLINE DRAWING

ALL OTHER SHEETS ARE FOR INTERNAL USE ONLY

NOTICE: These drawings, specifications, or other data (1) are, and remain the property of Amphenol corp. (2) must be returned upon request; and (3) are confidential and not to be disclosed to any person other than those to whom they are given by Amphenol Corp. The furnishing of these drawings, specifications, or other data by Amphenol Corp., or to any other person to anyone for any purpose is not to be regarded by implication or otherwise in any manner licensing, granting rights to permitting such holder or any other person to manufacture, use or sell any product, process or design, patented or otherwise, that may in any way be related to or disclosed by said drawings, specifications, or other data.		UNLESS OTHERWISE SPECIFIED DIMENSIONS ARE METRIC (INCHES) AND TOLERANCES ARE: <0.5mm = ±0.05mm [-0.020 = ±0.002] >0.5 - 6mm = ±0.1mm [-0.020 - 0.236 = ±0.004] >6.00 - 30mm = ±0.2mm [-0.236 - 1.181 = ±0.008] >30.00 - 120mm = ±0.3mm [-1.181 - 4.725 = ±0.012]		MATERIAL SEE NOTES		TITLE SMC R/A PC MOUNT JACK		Amphenol RF	
THIRD ANGLE PROJ.		REFERENCE ---		ENGINEER G.R.S		DATE 3/27/2005		SHEET NO. 2 OF 2	
EAR# ---		ANGLES = ±1°		SCALE: 6.0:1.0		SIZE B		DRAWING NO. 152123 ITEM NO. 152123 PART NO. 152123	
								REV B	