

111 Series

Thru-Hole and Surface Mount Holders for 2AG or 4.5-5mm Diameter Fuses



Product Characteristics

	111 501	111 506	111 505
Compatible Fuse Size	4.5mm~5mm Diameter Fuses		
Current Level	10 Amps max	10 Amps max	10 Amps max
Mounting	PC	PC	Surface Mount

Agency Approval

Agency	Agency File Number		
	111 501	111 506	111 505
	E14721	N/A	N/A

Additional Information



Resources



Accessories

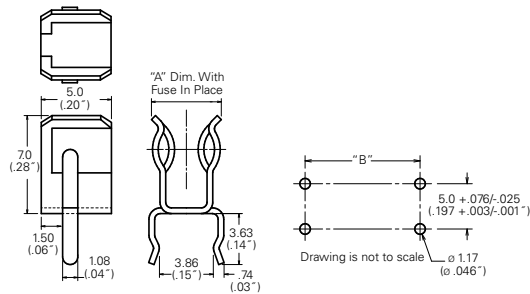


Samples

Product Dimensions

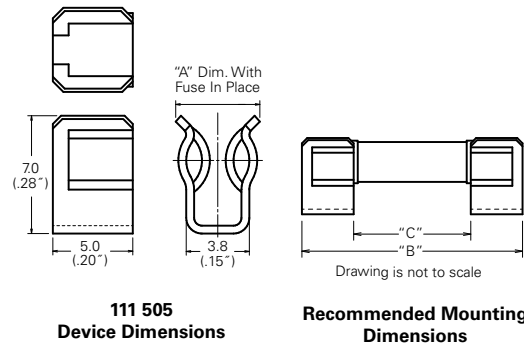
Mounting Dimensions for 111 501 / 111 506

Table 1	A Dim.	B Dim.
2AG	.23	.50
5x20	.27	.74



Mounting Dimensions for 111 505

Table 1	A Dim.	B Dim.	C Dim.
2AG	.23	.65 max.	.22 min.
5x20	.27	.88 max.	.43 min.



Note: Metric dimensions are shown. Inch dimensions are in parentheses.

Ordering Information

Ordering PN*	Catalog No.	Clip Material	Plating	Style	Packaging Available
0111 0501	111 501	Spring Brass	Tin-plated	Ear	Z
0111 0506	111 506	Beryllium Copper	Tin-plated	Ear	Z
0111 0505	111 505	Beryllium Copper	Tin-plated	Ear	Z

Add Suffix to the Ordering PN for Packaging

"Z" = for bulk package

Disclaimer Notice - Information furnished is believed to be accurate and reliable. However, users should independently evaluate the suitability of and test each product selected for their own applications. Littelfuse products are not designed for, and may not be used in, all applications. Read complete Disclaimer Notice at: www.littelfuse.com/disclaimer-electronics