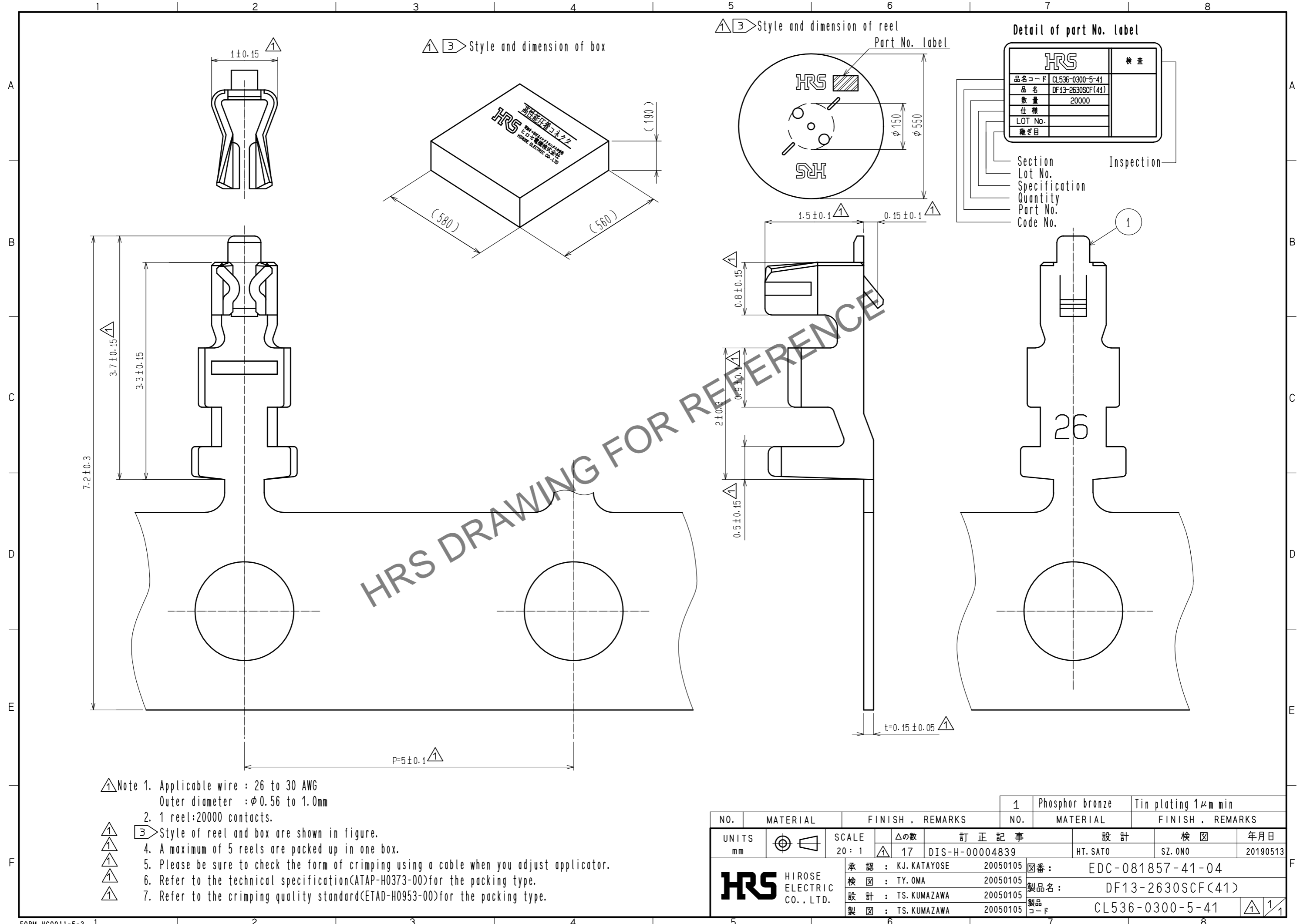
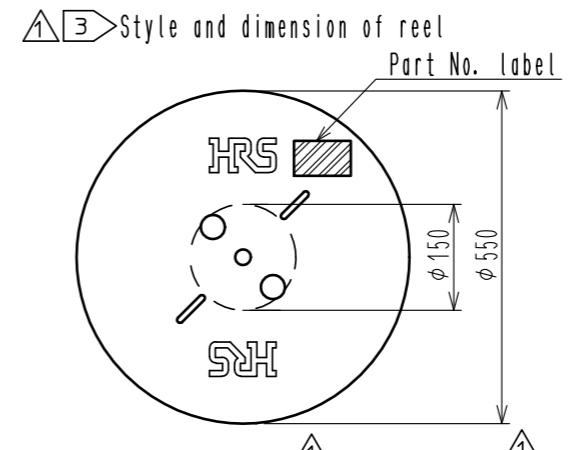


Jun.1.2024 Copyright 2024 HIROSE ELECTRIC CO., LTD. All Rights Reserved.  
In case of consideration for using Automotive equipment / device which demand high reliability, kindly contact our sales window correspondents.



- △ Note 1. Applicable wire : 26 to 30 AWG  
Outer diameter : φ0.56 to 1.0mm
2. 1 reel:20000 contacts.
- △ 3. Style of reel and box are shown in figure.
- △ 4. A maximum of 5 reels are packed up in one box.
- △ 5. Please be sure to check the form of crimping using a cable when you adjust applicator.
- △ 6. Refer to the technical specification(ATAP-H0373-00)for the packing type.
- △ 7. Refer to the crimping quality standard(ETAD-H0953-00)for the packing type.



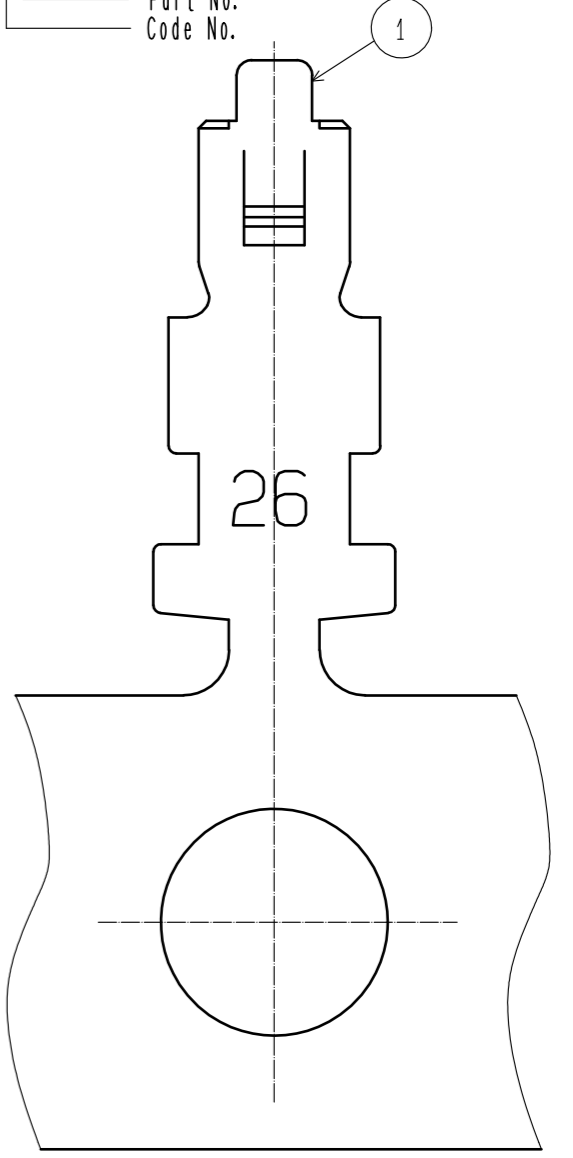
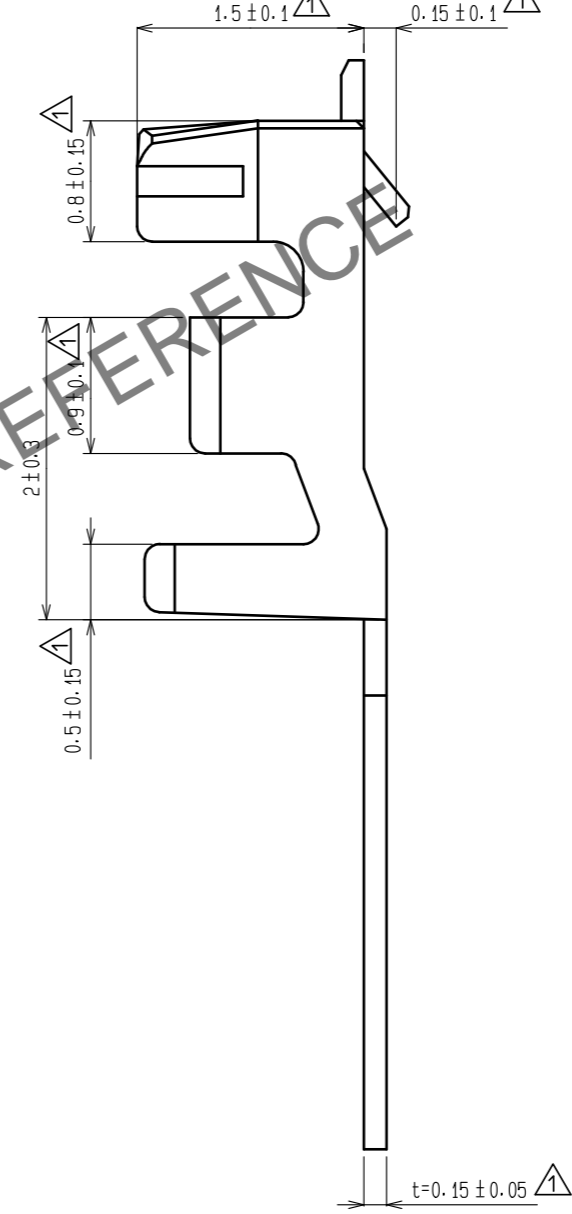
Detail of part No. label

HRS		検査
品名コード	CL536-0300-5-41	
品名	DF13-2630SCF(41)	
数量	20000	
仕様		
LOT No.		
継ぎ目		

Section  
Lot No.  
Specification  
Quantity  
Part No.  
Code No.

Inspection

1



NO.	MATERIAL	FINISH . REMARKS	1	Phosphor bronze	Tin plating 1μm min
UNITS mm		SCALE 20:1	△の数 17	訂正記事 DIS-H-00004839	設計 HT. SATO
承認 : KJ. KATAYOSE 20050105			図番 : EDC-081857-41-04		
検 図 : TY. OMA 20050105			製品名 : DF13-2630SCF(41)		
設 計 : TS. KUMAZAWA 20050105			製品コード : CL536-0300-5-41		
製 図 : TS. KUMAZAWA 20050105					

年月日 20190513

検 図 SZ. ONO

FORM HC0011-5-3 1