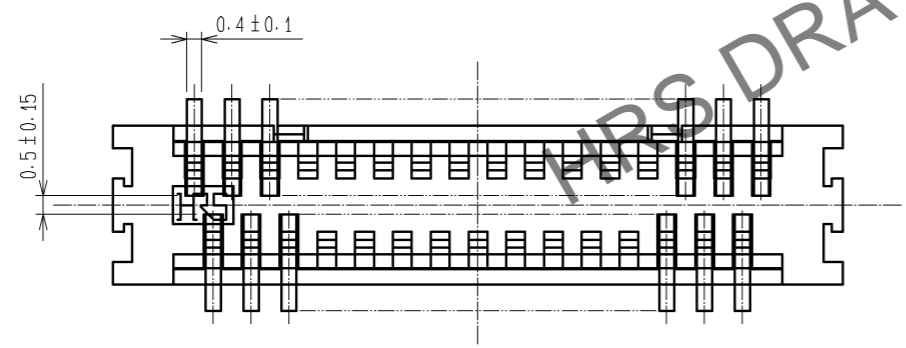
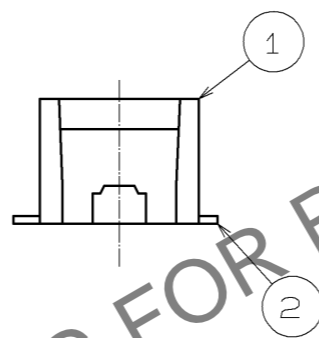
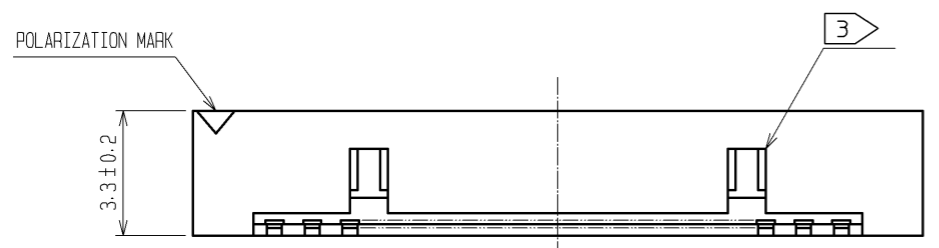
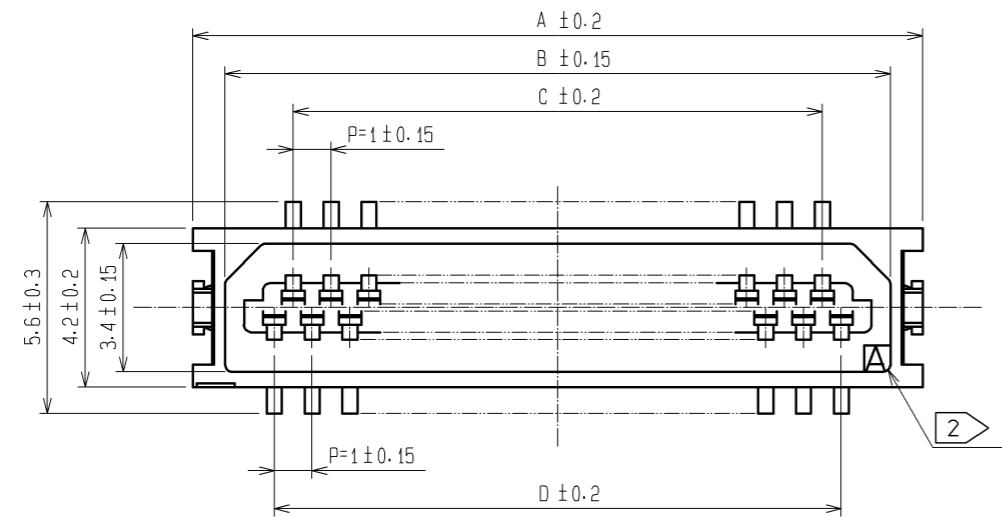
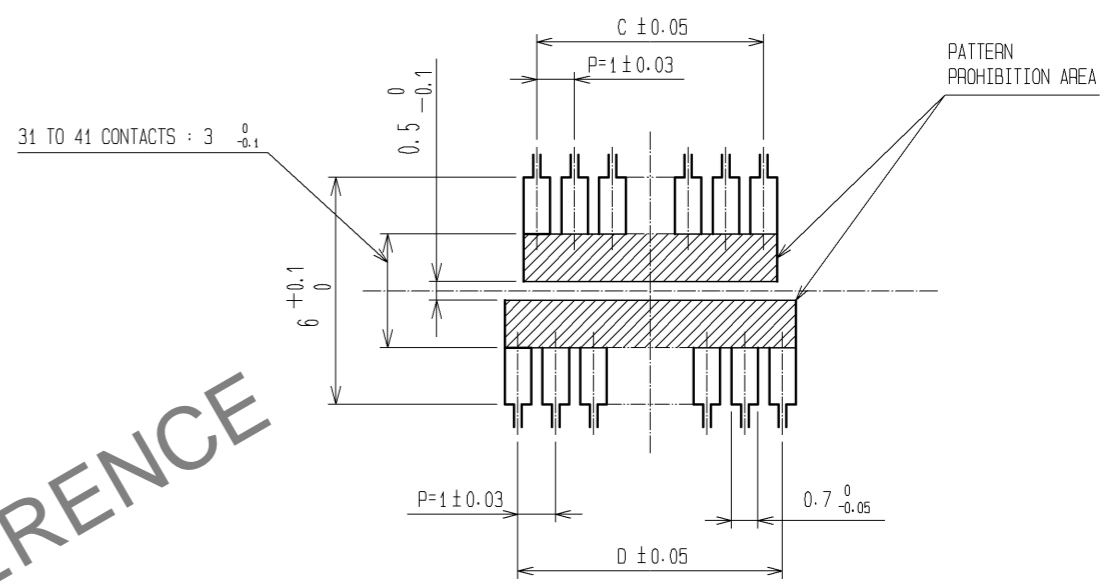


Jul.1.2024 Copyright 2024 HIROSE ELECTRIC CO., LTD. All Rights Reserved.  
 In case of consideration for using Automotive equipment / device which demand high reliability, kindly contact our sales window correspondents.



RECOMMENDED PATTERN



PART No.	CODE No.	NUMBER OF CONTACTS	A	B	C	D	E
DF9C-31P-1V(22)	CL540-0238-2-22	31	19.3	17.6	14	15	18.1
DF9C-41P-1V(22)	CL540-0225-0-22	41	24.3	22.6	19	20	23.1

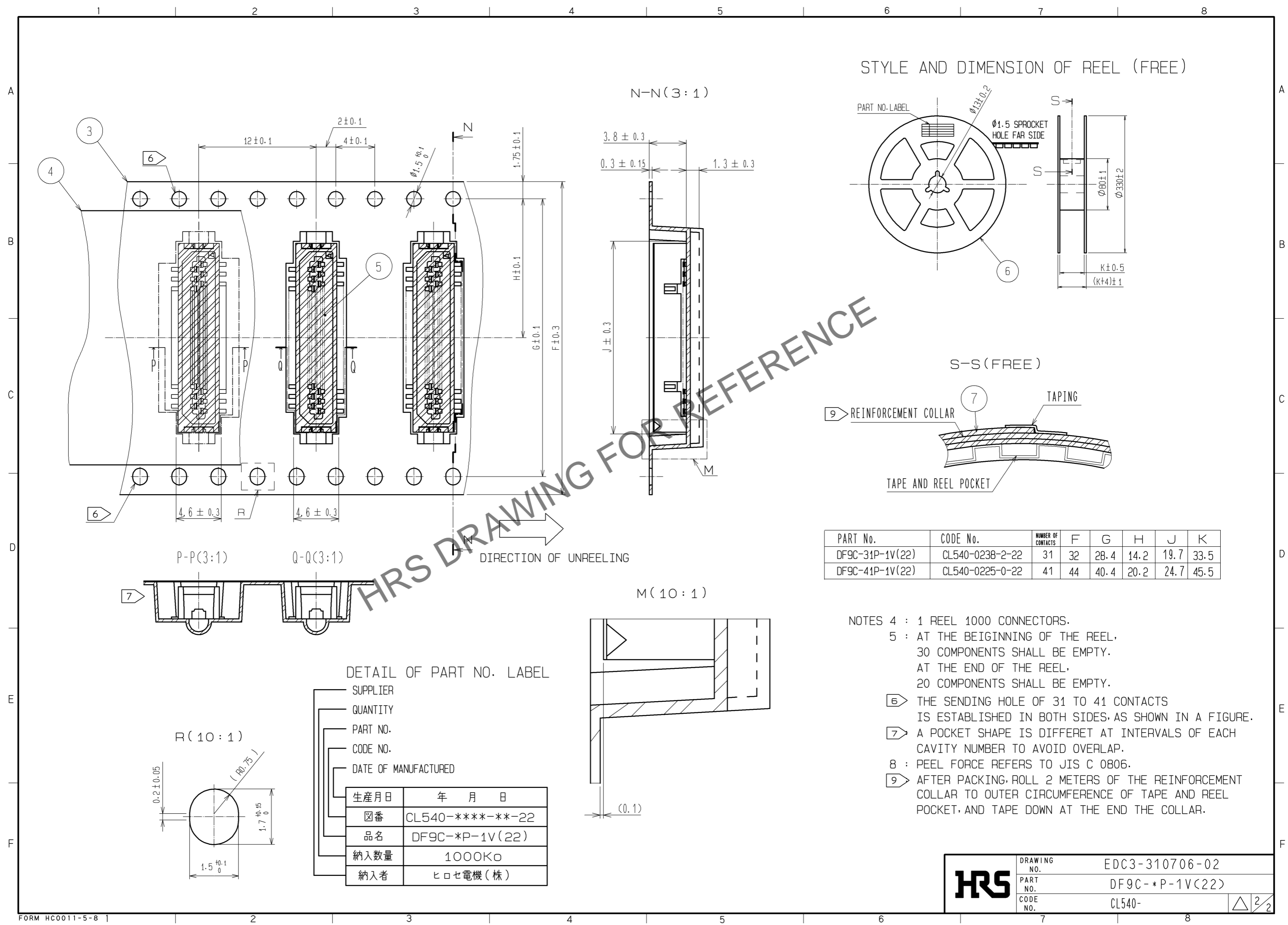
NOTES 1 : LEAD CO-PLANARITY INCLUDE REINFORCED METAL FITTINGS SHALL BE 0.1mm MAX.  
 ② CAV NO. IS INDICATED IN APPROX POSITION SHOWN.  
 ③ 31 TO 41 CONTACT CONNECTORS HAVE TWO LOCKS AS PER DRAWING.

NO.	MATERIAL	FINISH . REMARKS	NO.	MATERIAL	FINISH . REMARKS
3	PS	CLEAR(EMBOSSED CARRIER TAPE)	7	PS	REINFORCEMENT COLLAR
2	PHOSPHOR BRONZE	TIN PLATED(HOT DIP) 1μm min	6	PS	BLACK(PLASTIC REEL)
1	POLYAMIDE	BEIGE. UL94V-0	5	POLYIMIDE	BROWN(HEAT-RESISTANCE TAPE)
			4	POLYESTER	CLEAR(COVER TAPE)

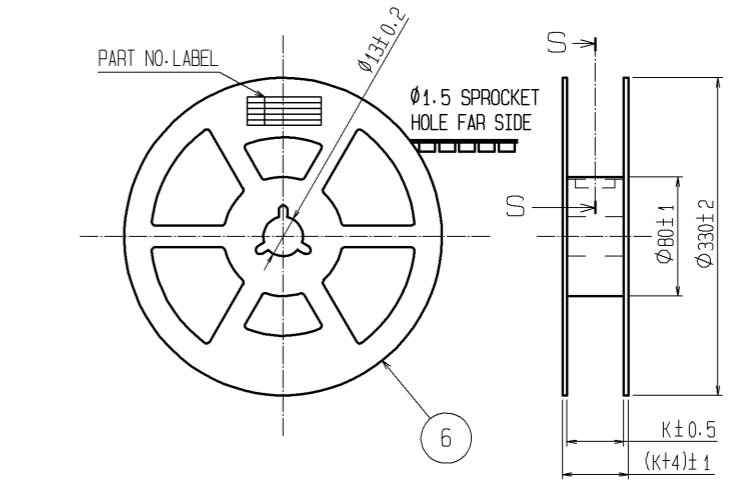
  

UNITS	SCALE	COUNT	DESCRIPTION OF REVISIONS	DESIGNED	CHECKED	DATE
mm	5 : 1	△				
<b>HRS</b> HIROSE ELECTRIC CO., LTD.			APPROVED : KH. IKEDA 12.02.27 CHECKED : AR. TAKAHASHI 12.02.24 DESIGNED : SH. HOSODA 12.02.24 DRAWN : KR. AJITO 12.02.24	DRAWING NO. EDC3-310706-02 PART NO. DF9C-*P-1V(22) CODE NO. CL540-		

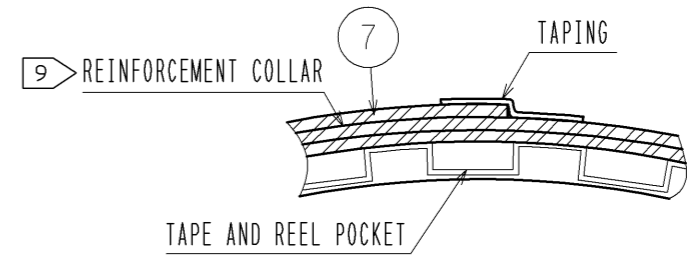
Jul.1.2024 Copyright 2024 HIROSE ELECTRIC CO., LTD. All Rights Reserved.  
 In case of consideration for using Automotive equipment / device which demand high reliability, kindly contact our sales window correspondents.



STYLE AND DIMENSION OF REEL (FREE)



S-S (FREE)

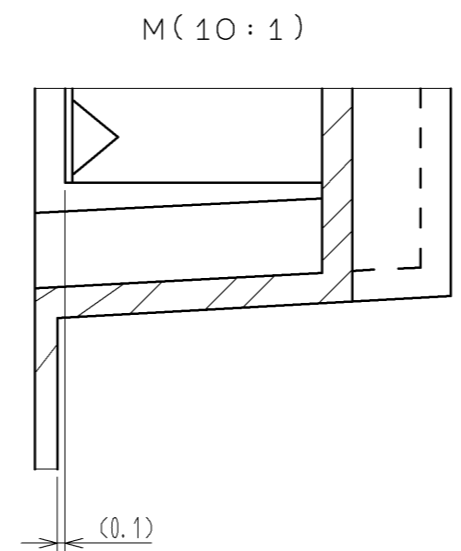


PART No.	CODE No.	NUMBER OF CONTACTS	F	G	H	J	K
DF9C-31P-1V(22)	CL540-0238-2-22	31	32	28.4	14.2	19.7	33.5
DF9C-41P-1V(22)	CL540-0225-0-22	41	44	40.4	20.2	24.7	45.5

- NOTES 4 : 1 REEL 1000 CONNECTORS.  
 5 : AT THE BEIGINNIG OF THE REEL, 30 COMPONENTS SHALL BE EMPTY. AT THE END OF THE REEL, 20 COMPONENTS SHALL BE EMPTY.  
 6 : THE SENDING HOLE OF 31 TO 41 CONTACTS IS ESTABLISHED IN BOTH SIDES, AS SHOWN IN A FIGURE.  
 7 : A POCKET SHAPE IS DIFFERET AT INTERVALS OF EACH CAVITY NUMBER TO AVOID OVERLAP.  
 8 : PEEL FORCE REFERS TO JIS C 0806.  
 9 : AFTER PACKING, ROLL 2 METERS OF THE REINFORCEMENT COLLAR TO OUTER CIRCUMFERENCE OF TAPE AND REEL POCKET, AND TAPE DOWN AT THE END THE COLLAR.

DETAIL OF PART NO. LABEL

SUPPLIER	
QUANTITY	
PART NO.	
CODE NO.	
DATE OF MANUFACTURED	
生産月日	年 月 日
☒番	CL540-****-**-22
品名	DF9C-*P-1V(22)
納入数量	1000K0
納入者	ヒロセ電機(株)



HRS DRAWING FOR REFERENCE

<b>HRS</b>	DRAWING NO.	EDC3-310706-02
	PART NO.	DF9C-*P-1V(22)
	CODE NO.	CL540-