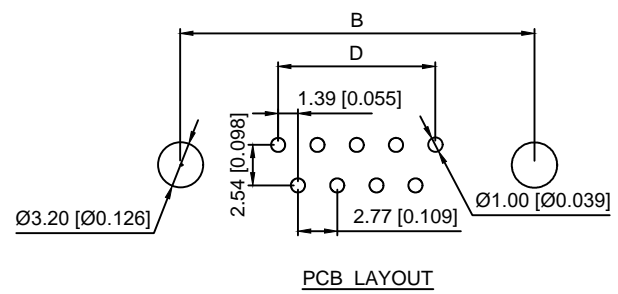
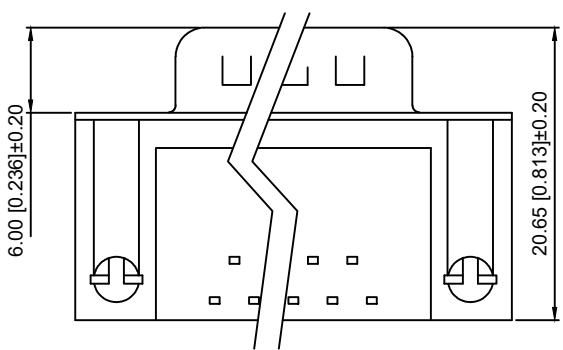
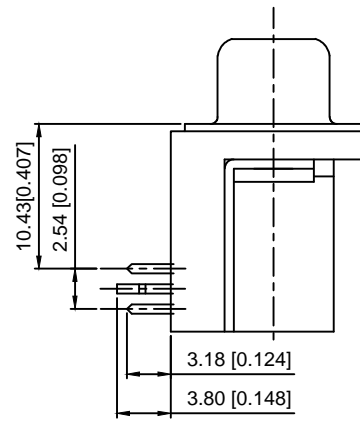
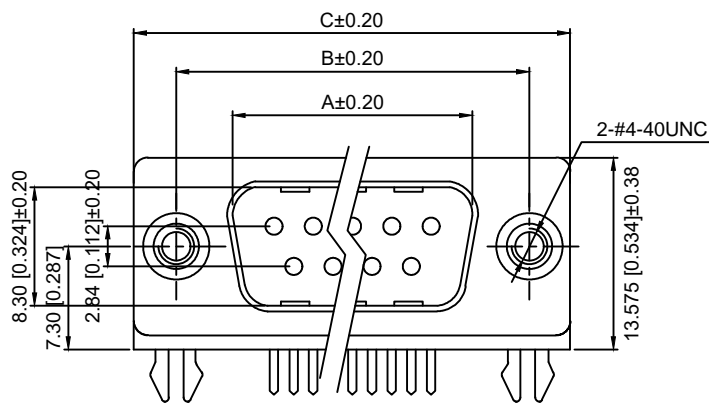
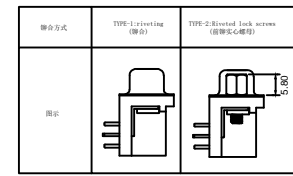


Specifications:  
 规格:  
 Current rating:5A AC/DC  
 额定电流: 5A AC/DC  
 Voltage rating:250V AC  
 额定电压: 250V AC  
 Withstanding voltage:500V AC/MIN  
 耐受电压: ≥500V AC/分钟  
 Temperature range:-55℃~+105℃  
 温度范围: -55℃~+105℃  
 Insulation resistance:1000MΩMIN  
 绝缘电阻: ≥1000MΩ  
 Contact resistance:30mΩMAN  
 接触电阻:≤30mΩ  
 Material And FINISHED:  
 材料和成本:  
 INSULATOR:PBT UL 94V-0  
 绝缘体: PBT UL 94V-0  
 SHELL: STEEL  
 外壳: 钢  
 CONTACT MATERIAL:BRASS  
 触点材料: 黄铜



X03 XX WT XX X H  
 ① ② ③ ④ ⑤ ⑥ ⑦ ⑧

- ① Series No.
- ② Row No, Pin No:XX-09
- ③ Welding Board Angle :W-Male
- ④ T: Traditional
- ⑤ Planting Category: 1:Gold 1u ;2:Gold 2u; 3:Gold 3u ;4:Gold 5u; 5:Gold 15u; 6:Gold 30u ;7:Terminal half- Gold Bright Tin;8:Terminal half- Gold 2u Bright Tin 9:Terminal half- Gold 3u Bright Tin;10:Terminal half- Gold 5u Bright Tin 11:Terminal half- Gold 15u Bright Tin;12:Terminal half- Gold 30u Bright Tin 13:Terminal half- Gold Matte Tin;14:Terminal half- Gold 2u Matte Tin 15:Terminal half- Gold 3u Matte Tin;16:Terminal half- Gold 5u Matte Tin 17:Terminal half- Gold 15u Matte Tin;18:Terminal half- Gold 30u Matte Tin
- ⑥ B:Black W:White BL:Blue
- ⑦ 1:TYPE-1; 2:TYPE-2
- ⑧ H:Heightened



NO.OF CONTACT	A±0.20	B±0.20	C±0.20	D
09	16.92	24.99	30.81	11.08
15	25.25	33.32	39.14	19.39
25	38.96	47.04	53.04	33.24
37	55.42	63.50	69.32	49.86

DSND		SCALE: N/A	MODEL TYPE: D-USB		
DWN		VIEW:	PART NO.: X03XXWTXXXH		
CHKD		UNIT: mm/in	DWG NO.: X-X03XXWTXXXH		
APPD		SIZE: A4	WEIGHT	SHEET	REVISION
XKB INDUSTRIAL PRECISION CO.,LIMITED				1/1	A0

MARK	DESCRIPTION	DATE	REVISED	APPROVED	ANGLAR	±5°
Δx					L ≤ 4	±0.2
Δx					4 < L ≤ 16	±0.3
Δx					16 < L ≤ 63	±0.4
					L > 63	±0.5
REVISIONS					UNSPECIFIED TOLERANCES	
www.helloxkb.com www.helloxkb.cn www.xk-dg.cn						

