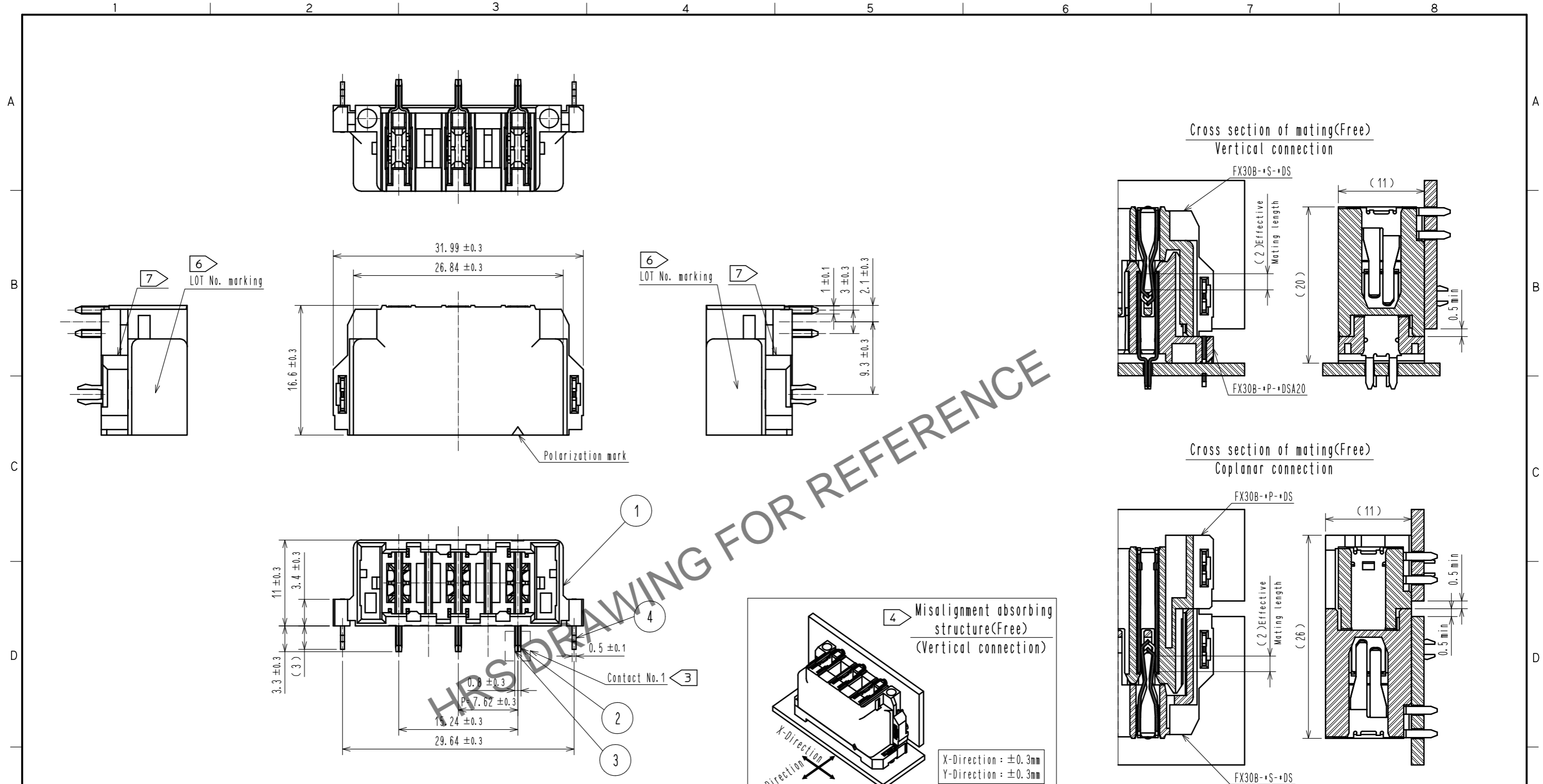
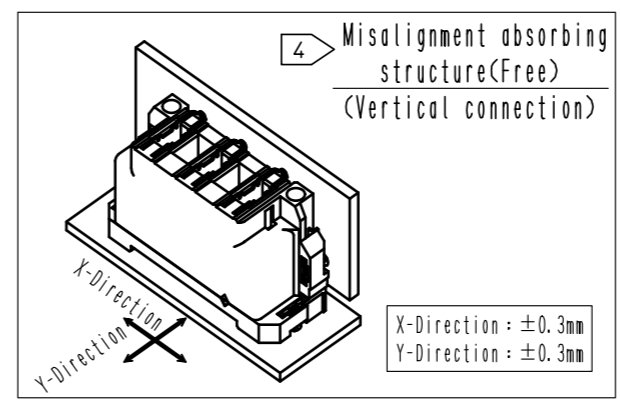


Jul.1.2024 Copyright 2024 HIROSE ELECTRIC CO., LTD. All Rights Reserved.  
 In case of consideration for using Automotive equipment / device which demand high reliability, kindly contact our sales window correspondents.



- Note
- 1 This product is packaged in tray. (25pcs/tray)
  - 2 Blemish and hit mark can be occurred through out the manufacturing process which doesn't affect quality level. Also, black spot could be observed on the surface of housing.
  - 3 For the contact No., adjacent two pairs of leads placed back-to-back (4 leads in total) Compose one line.
  - 4 Misalignment absorbing range: ±0.3mm max.
  - 5 The dimension in parentheses are for references.
  - 6 Lot No. is indicated at either one of the position as shown.
  - 7 Possible short shot and/or burr at the indicated area does not affect the product quality.
- ① 8 UL(File No. E52653)  
 C-UL(File No. E52653)  
 △ TUV(Certificate No. R50275872) authorization article.



NO.	MATERIAL	FINISH . REMARKS	NO.	MATERIAL	FINISH . REMARKS
2	Copper alloy	Contact area:Gold-plating 0.1μm Lead area:Tin-plating 1.0μm Under plating:Nickel 1.0μm	5	Polystyrene	
1	Polyamide	Black UL94V-0	4	Phosphor bronze	Tin-plating 3.0μm Under plating:Nickel 1.0μm
			3	Copper alloy	Contact area:Gold-plating 0.1μm Lead area:Tin-plating 1.0μm Under plating:Nickel 1.0μm

UNITS	SCALE	COUNT	DESCRIPTION OF REVISIONS	DESIGNED	CHECKED	DATE
mm	2 : 1	1	DIS-F-00006019	AK. IWAHORI	HT. YAMAGUCHI	20200406

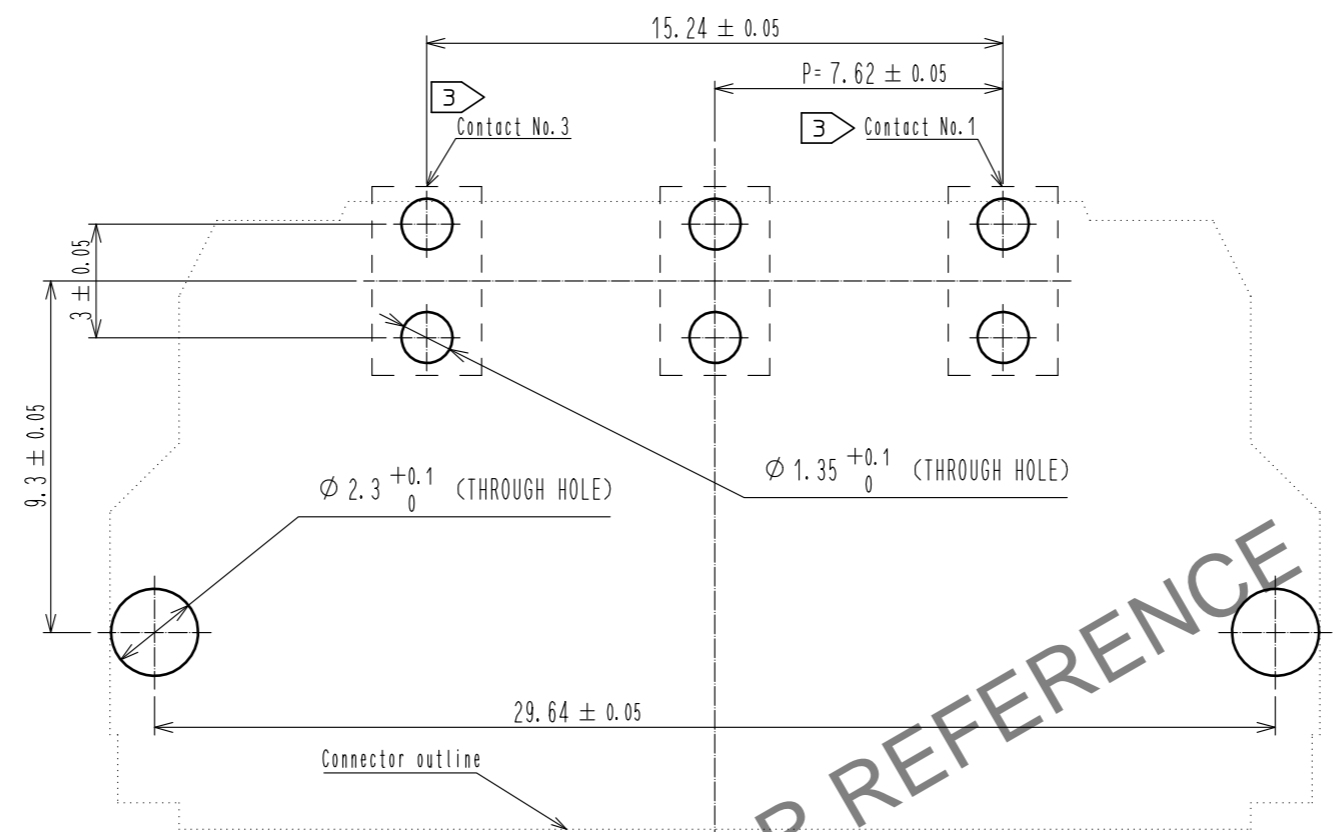
  

APPROVED	CHECKED	DESIGNED	DRAWN	DATE	DRAWING NO.	PART NO.	CODE NO.
HS. OKAWA	KN. SHIBUYA	DK. AIMOTO	DK. AIMOTO	20140912	EDC3-359167-00	FX30B-3S-7.62DS	CL570-3605-0-00

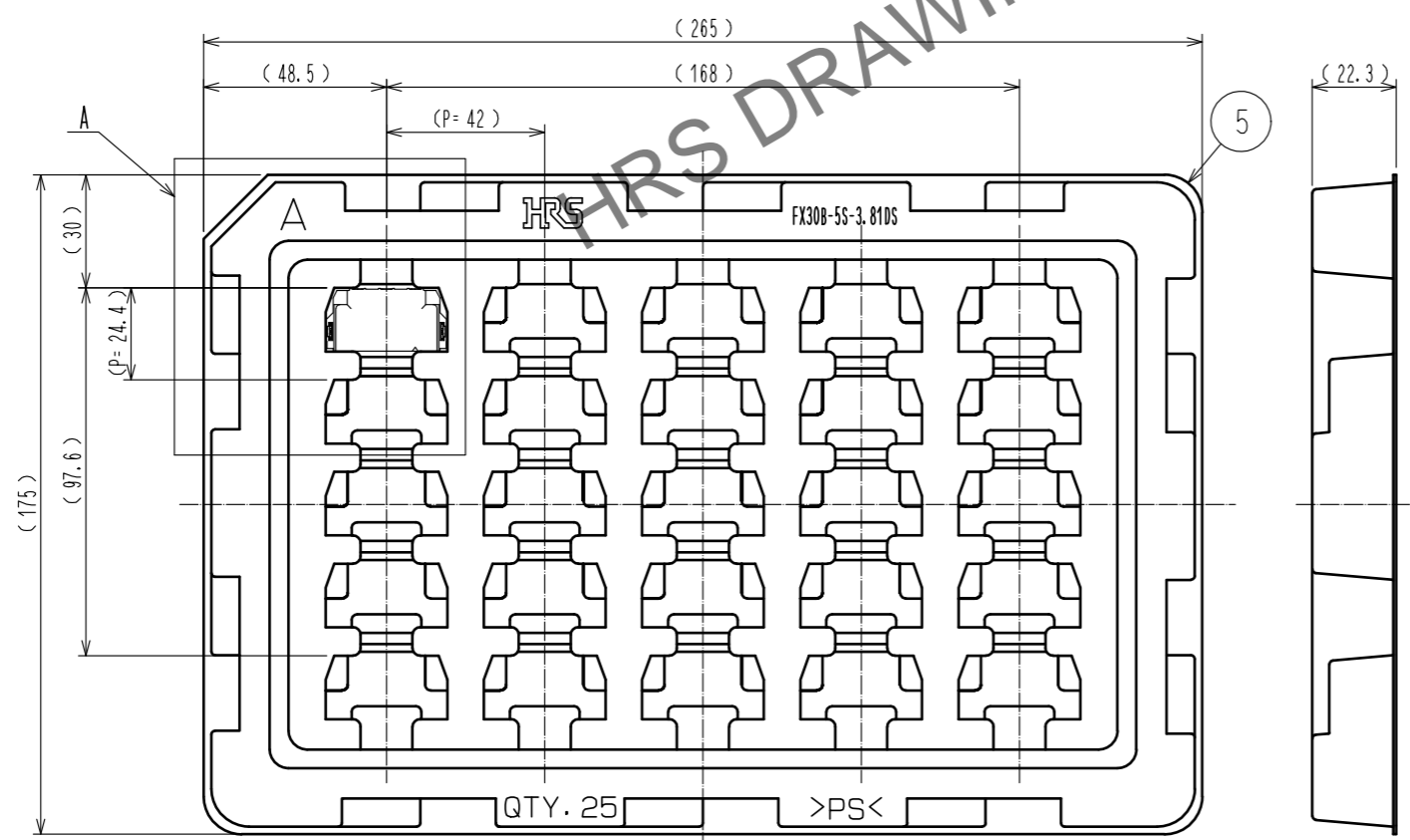


Jul.1.2024 Copyright 2024 HIROSE ELECTRIC CO., LTD. All Rights Reserved.  
 In case of consideration for using Automotive equipment / device which demand high reliability, kindly contact our sales window correspondents.

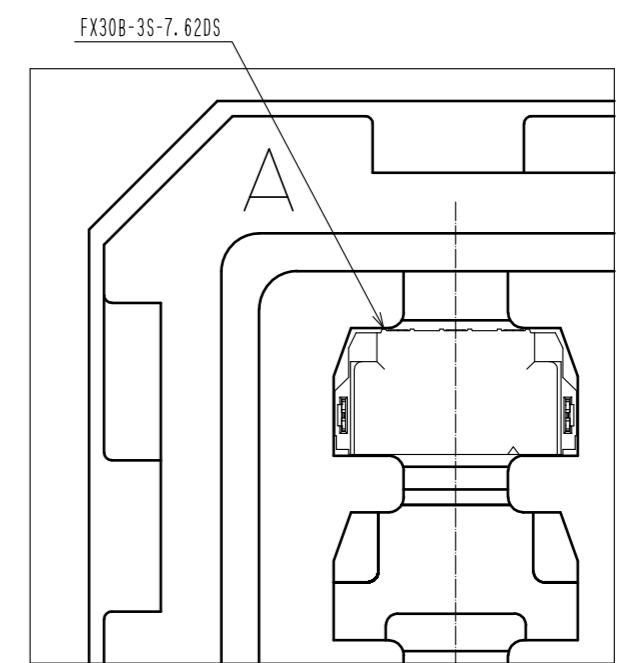
Recommended hole pattern dimension of PCB(5:1)  
 (Connector mounting side, PCB thickness:t=1.6mm)



1 Drawing for packaging(1:2)



A(1:1)



<b>HRS</b>	DRAWING NO.	EDC3-359167-00	2/2
	PART NO.	FX30B-3S-7.62DS	
	CODE NO.	CL570-3605-0-00	