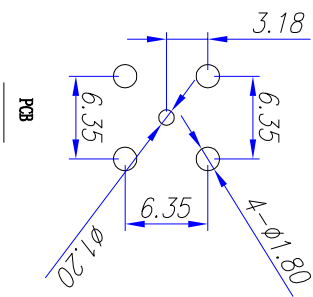
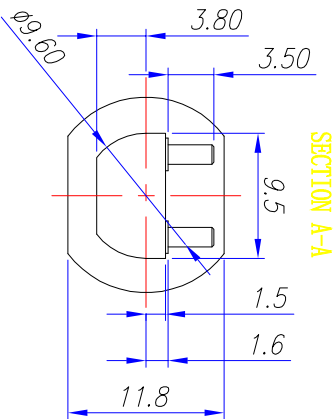
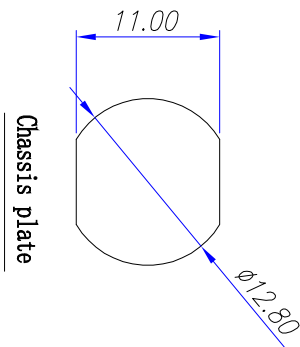
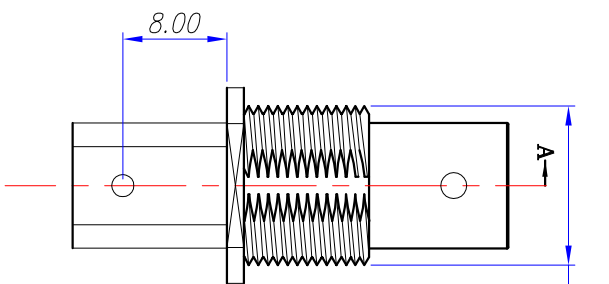
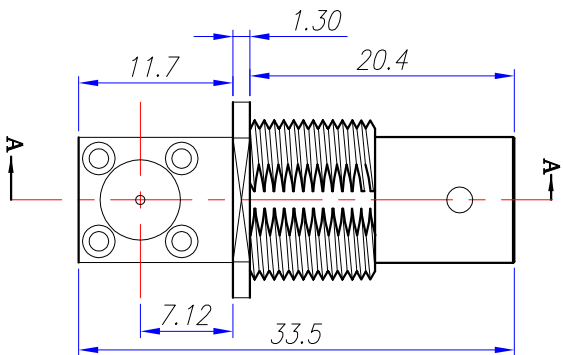
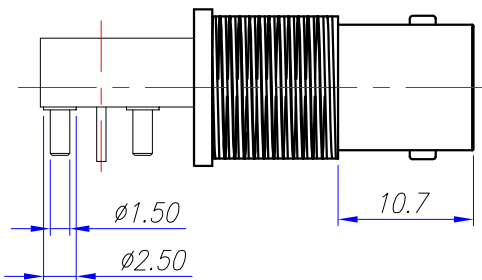




Product NO.		DOSIN-801-0900	
REV	DESCRIPTION	DMN	DATE
A	First Issue	Mr. CHEN	2022/08/06
B			
			APPROVEN



**SPECIFICATIONS:**

Impedance: 75 Ohms  
 Frequency Range: DC~3G  
 VSWR: 1.3max  
 Working Voltage: 500v RMS @ SEA level  
 Insulation Resistance: 5000 Ohms min  
 Temperature Range: -40C TO +110C  
 Drawings products are in line with ROHS standards

**NOTE:**

DRAWN	CHEN	Tolerance	UNLESSTHERMISPECIFIED TOLERANCESFDRINCHESARE 0.5-8MM±0.10MM 8-30MM±0.20MM 30-120MM±0.30MM
CHECKED		View	
APPROVALS		UNIT	MM
		SCALE	1:1

**DOSIN**  
 Dosin Industrial (HK) Co, Ltd  
 东莞市德索五金电子有限公司  
 Dosin Hardware Electronics Co, Ltd  
 E-mail: dosin2005@163.com  
 dosin2005@dosin-china.com  
 Web: http://www.dosin.com  
 TEL: (0086) 769-81153906  
 FAX: (0086) 769-81875836

Name: BNC R/A JACK FOR PCB CONNECTOR

SIZE	Product NO.	CAD FILE	SHEET: 1 OF 1
A		H/company drawings/BD	
Date	2022/08/06		
Time			

1	Body	Zinc	NI: 80-120u"
2	Contact pin	BRASS	Gold: 1-1.5u"
3	Insulation	POM	None
4			
6			
NO	Component Number	Material	Finish

A B C D E F G