

174195-1 ✓ ACTIVE

FASTON | FASTON 250

TE Internal #: 174195-1

Receptacle, Receptacle, 1 Position, Straight, Natural, Nylon,
Contact Mating Retention, Mating Alignment, FASTON 250, Crimp
Terminal Housings

[View on TE.com >](#)



Terminals & Splices > Terminal Housings, Insulation Sleeves & Blocks > Crimp Terminal Housings



Terminal Type: **Receptacle**

Connector & Housing Type: **Receptacle**

Number of Positions: **1**

Terminal Orientation: **Straight**

Primary Product Color: **Natural**

Features

Product Type Features

| | |
|--------------------------|------------|
| Sealable | No |
| Connector & Housing Type | Receptacle |

Configuration Features

| | |
|---------------------|---|
| Number of Positions | 1 |
|---------------------|---|

Body Features

| | |
|-----------------------|---------|
| Primary Product Color | Natural |
|-----------------------|---------|

Contact Features

| | |
|--------------------------|------------|
| Terminal Type | Receptacle |
| Terminal Orientation | Straight |
| Contact Mating Retention | With |

Mechanical Attachment

| | |
|-----------------------|-------|
| Mating Retention Type | Latch |
| Mating Alignment | With |



| | |
|-------------------------|----------------------------|
| Connector Mounting Type | Cable Mount (Free-Hanging) |
|-------------------------|----------------------------|

Housing Features

| | |
|------------------|-------|
| Housing Material | Nylon |
|------------------|-------|

Dimensions

| | |
|----------------|------------------|
| Product Length | 28.5 mm[1.12 in] |
|----------------|------------------|

Usage Conditions

| | |
|-----------------------------|----------------------------|
| Operating Temperature Range | -40 – 105 °C[-40 – 221 °F] |
|-----------------------------|----------------------------|

Product Compliance

[For compliance documentation, visit the product page on TE.com>](#)

| | |
|---|---|
| EU RoHS Directive 2011/65/EU | Compliant |
| EU ELV Directive 2000/53/EC | Compliant |
| China RoHS 2 Directive MIIT Order No 32, 2016 | No Restricted Materials Above Threshold |
| EU REACH Regulation (EC) No. 1907/2006 | Current ECHA Candidate List: JUNE 2024 (241) Candidate List Declared Against: JUNE 2024 (241) Does not contain REACH SVHC |
| Halogen Content | Low Halogen - Br, Cl, F, I < 900 ppm per homogenous material. Also BFR/CFR/PVC Free |
| Solder Process Capability | Not reviewed for solder process capability |

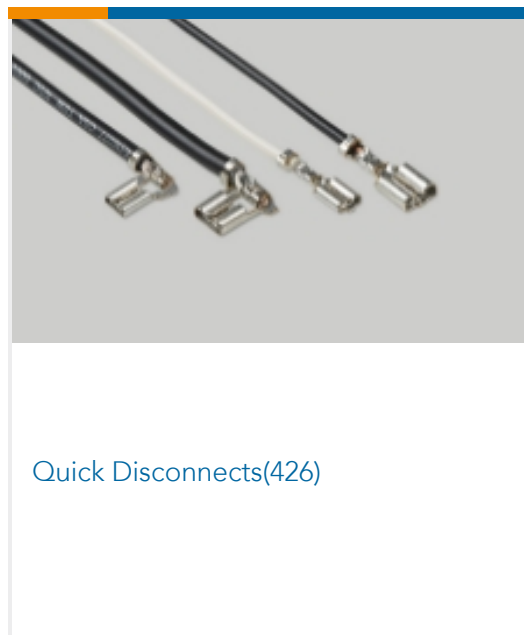
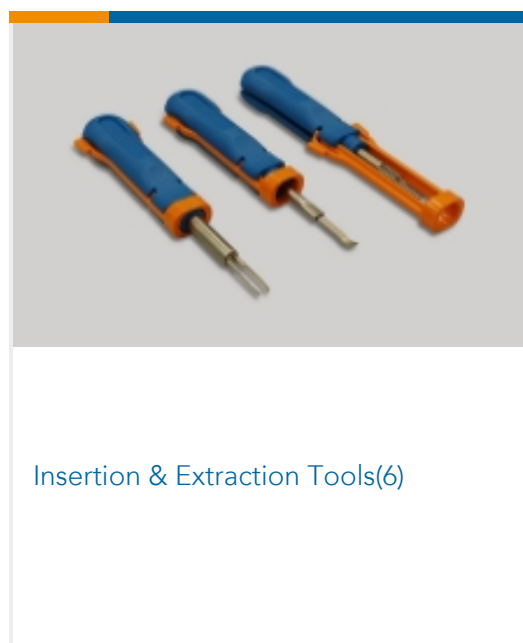
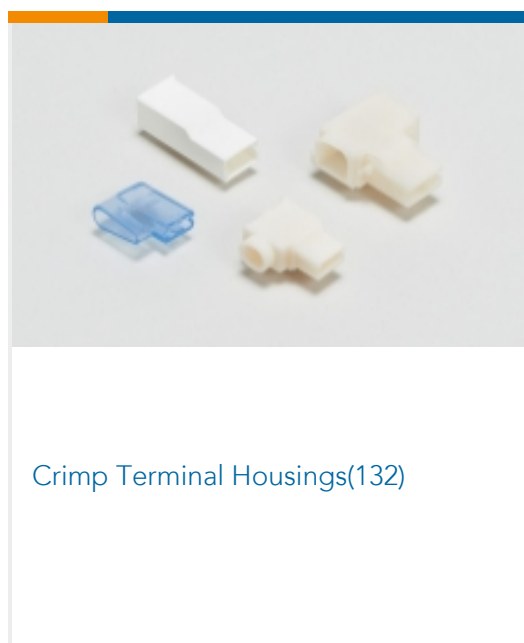
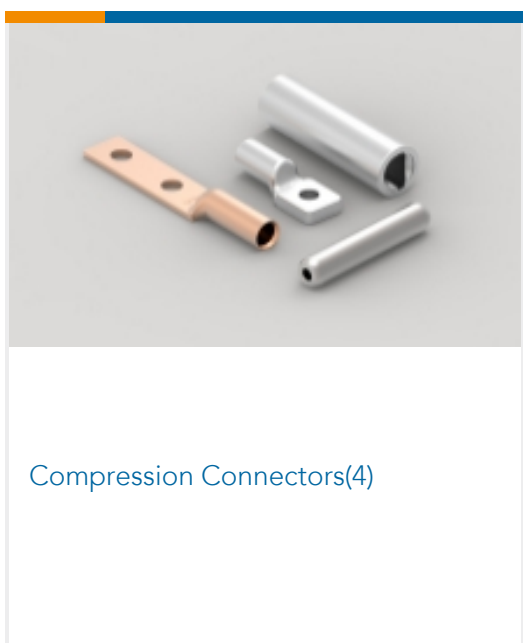
Product Compliance Disclaimer

This information is provided based on reasonable inquiry of our suppliers and represents our current actual knowledge based on the information they provided. This information is subject to change. The part numbers that TE has identified as EU RoHS compliant have a maximum concentration of 0.1% by weight in homogenous materials for lead, hexavalent chromium, mercury, PBB, PBDE, DBP, BBP, DEHP, DIBP, and 0.01% for cadmium, or qualify for an exemption to these limits as defined in the Annexes of Directive 2011/65/EU (RoHS2). Finished electrical and electronic equipment products will be CE marked as required by Directive 2011/65/EU. Components may not be CE marked. Additionally, the part numbers that TE has identified as EU ELV compliant have a maximum concentration of 0.1% by weight in homogenous materials for lead, hexavalent chromium, and mercury, and 0.01% for cadmium, or qualify for an exemption to these limits as defined in the Annexes of Directive 2000/53/EC (ELV). Regarding the REACH Regulation, the information TE provides on SVHC in articles for this part number is based on the latest European Chemicals Agency (ECHA) 'Guidance on requirements for substances in articles' posted at this URL: <https://echa.europa.eu/guidance-documents/guidance-on-reach>

Compatible Parts



Also in the Series | **FASTON 250**



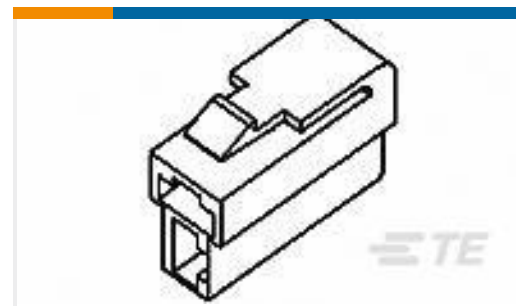
Customers Also Bought



TE Part #520988-2
ULTRA-POD 250 ASSY REC 22-18
AWG TPBR



TE Part #33458
TERMINAL,SOLIS R 12-10 1/4



TE Part #172130-1
FF 250 REC HSG 2P NYLON NAT



TE Part #34123
TERMINAL,SOLIS R 16-14 10



TE Part #936098-4
090III 26P PLUG ASSY BROWN



TE Part #322870
TERMINAL,SOLIS R 2 5/16



TE Part #1-2304514-1
2POS, MCON 1.2 CB REC 1p TL
SEALED



TE Part #1743445-2
LEVER HSG FOR ECU 60P PLUG



TE Part #2005535-1
GET 39P COVER ASSY



TE Part #2306920-2
025/110/250 HYB 10P PLUG ASSY

Documents

Product Drawings

250 FASTON HSG.,REC.,1 POS,NATRUAL

English

CAD Files

3D PDF

3D

Customer View Model

[ENG_CVM_CVM_174195-1_A.2d_dxf.zip](#)

English

Customer View Model

[ENG_CVM_CVM_174195-1_A.3d_igs.zip](#)

English

Customer View Model

[ENG_CVM_CVM_174195-1_A.3d_stp.zip](#)

English

By downloading the CAD file I accept and agree to the [Terms and Conditions](#) of use.