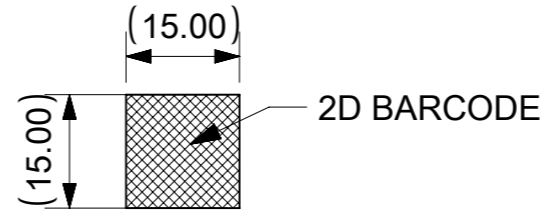


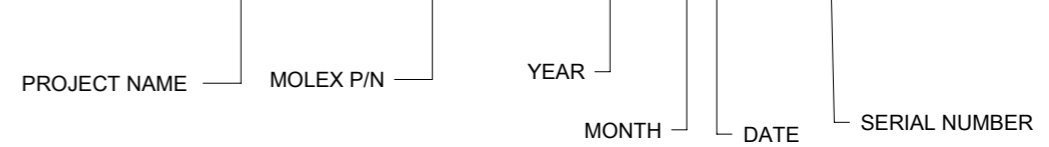
REV	DATE	DESCRIPTION
A	10/28/2022	INITIAL RELEASE
B	01/12/2024	CORRECT QTY OF CONNECTOR TO 5 PCS.



2D BARCODE CONTENT

SIZE:15X15mm

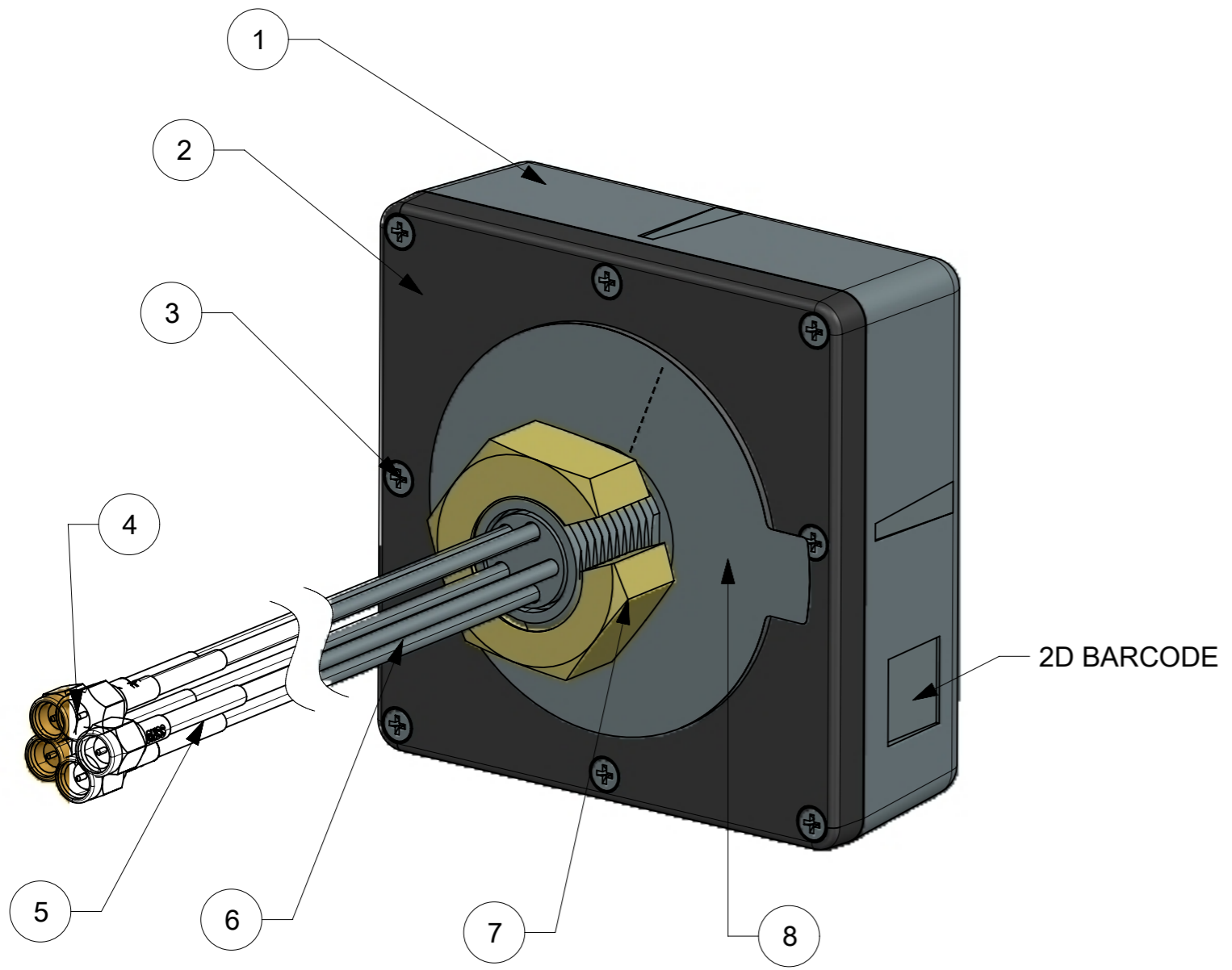
DEFINITION:5IN1 ANTENNA#2205731000#XXXXXXXXXX#XXXX



FOR EXAMPLE:5IN1 ANTENNA#2205731000#20220322#0001

BOM TABLE

ITEM	DESCRIPTION	REMARK	QTY
1	TOP HOUSING	PC/ABS BLACK	1 PCS
2	BOTTOM COVER	PC/ABS BLACK	1 PCS
3	SCREW	METAL	6 PCS
4	CONNECTOR	SMA PLUG MALE GOLDEN PLATING	5 PCS
5	HEAT SHRINK TUBE	BLACK IN COLOR	5 PCS
6	CABLE	RG174 CABLE BLACK JACK	5 PCS
7	NUT	METAL	1 PCS
8	PSA	DOUBLE-SIDE ADHESIVE	1 PCS

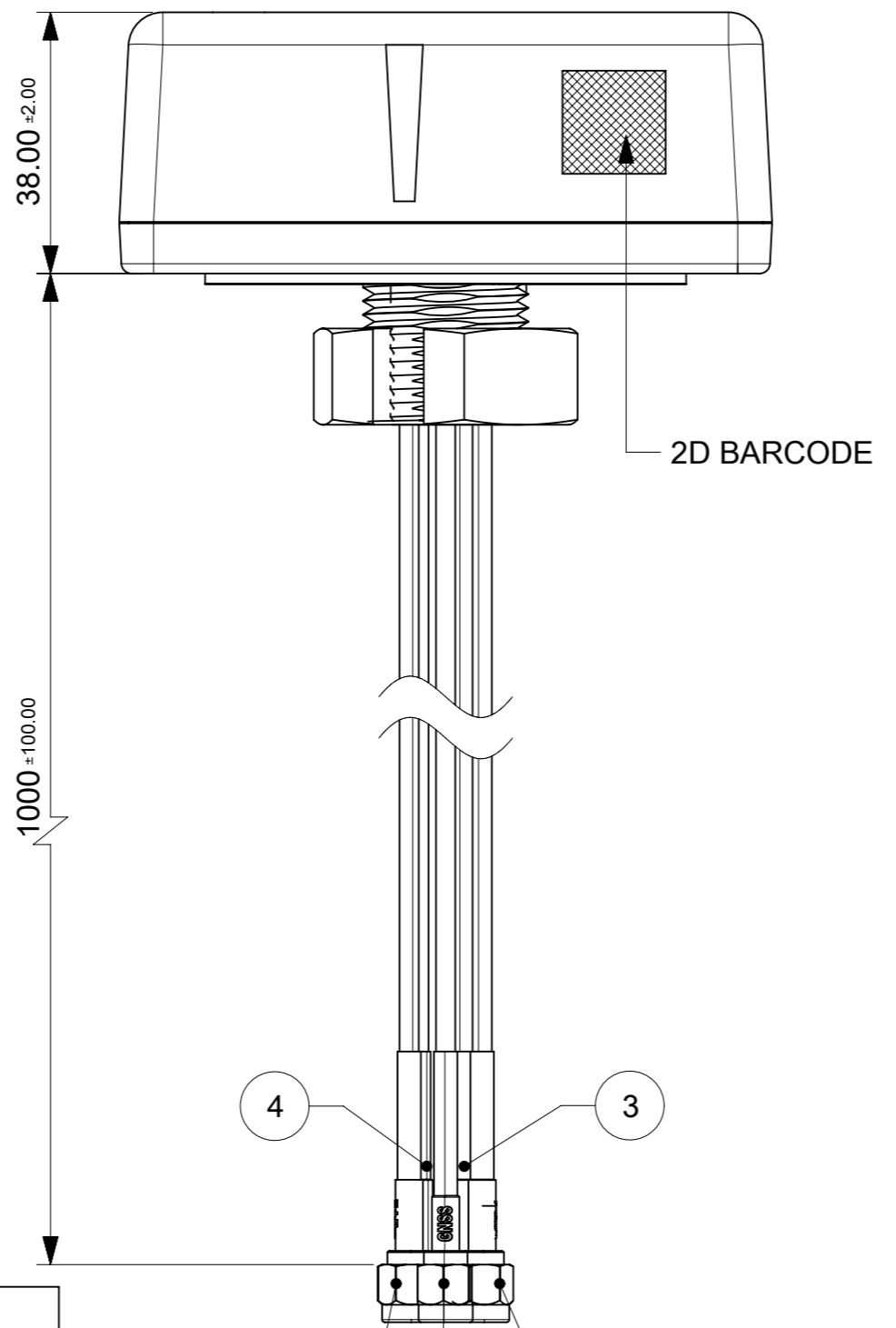


FUNCTIONAL SYMBOLS $\nabla_A = 0$ $\nabla_F = 0$ $\nabla_V = 0$	THIS DRAWING CONTAINS INFORMATION THAT IS PROPRIETARY TO MOLEX ELECTRONIC TECHNOLOGIES, LLC AND SHOULD NOT BE USED WITHOUT WRITTEN PERMISSION	SCALE	CURRENT REV DESC:		
	mm	1:1			
	GENERAL TOLERANCES (UNLESS SPECIFIED)				
	ANGULAR TOL $\pm 2.0^\circ$				
DIVISIONAL SYMBOLS 4 PLACES $\pm 0.3$ 3 PLACES $\pm 0.5$ 2 PLACES $\pm 1.0$ 1 PLACE $\pm 2.0$ 0 PLACES $\pm 3.0$	EC NO: 774006	2024/01/12			
	DRWN: VINCEJ3	2024/01/14			BOTTOM FEED 5 IN 1 ANTENNA PRO
	CHK'D: HORACM1	2024/01/14	PRODUCT CUSTOMER DRAWING		
	APPR: HORACM1	2024/01/14			DOCUMENT NUMBER: 2205731000 DOC TYPE: PSD DOC PART: 000 REVISION: B
INITIAL REVISION:	2022/10/28	MATERIAL NUMBER: 220573 CUSTOMER: GENERAL MARKET			
DRWN: VINCEJ3	2022/10/28			SHEET NUMBER: 1 OF 2	
APPR: HORACM1	2022/10/28	THIRD ANGLE PROJECTION 			
DRAFT WHERE APPLICABLE MUST REMAIN WITHIN DIMENSIONS				DRAWING: A3-SIZE	SERIES: 220573

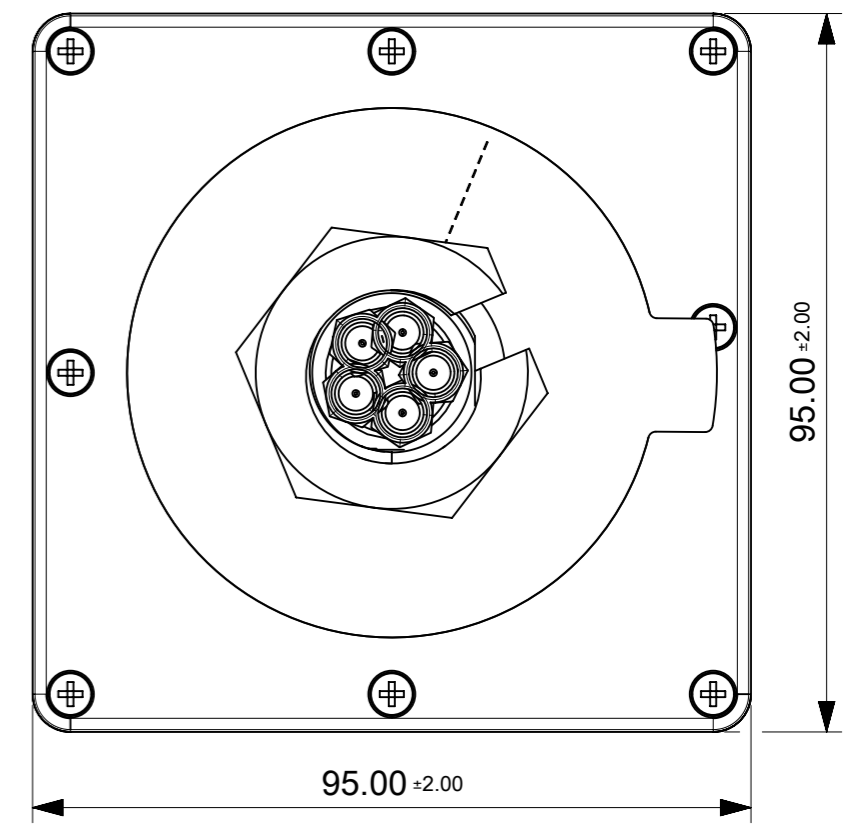
TOP SIDE



SIDE VIEW



BOTTOM SIDE



CABLE INFORMATION		
ITEM	REMARK	PRINT TEXT
1	Ø2.8±0.15	GNSS
2	Ø2.8±0.15	WIF1
3	Ø2.8±0.15	LTE2
4	Ø2.8±0.15	LTE1
5	Ø2.8±0.15	WIF12

FUNCTIONAL SYMBOLS	THIS DRAWING CONTAINS INFORMATION THAT IS PROPRIETARY TO MOLEX ELECTRONIC TECHNOLOGIES, LLC AND SHOULD NOT BE USED WITHOUT WRITTEN PERMISSION				
	$\nabla_A = 0$ $\nabla_F = 0$ $\nabla_V = 0$	DIMENSION UNITS: <b>mm</b> SCALE: <b>1:1</b>			
DIVISIONAL SYMBOLS	GENERAL TOLERANCES (UNLESS SPECIFIED) ANGULAR TOL ± 2.0° 4 PLACES ± 0.3 3 PLACES ± 0.5 2 PLACES ± 1.0 1 PLACE ± 2.0 0 PLACES ± 3.0		INITIAL REVISION: DRWN: VINCEJ3 APPR: HORACM1	2022/10/28 2022/10/28	DOCUMENT NUMBER: <b>2205731000</b> DOC TYPE: PSD DOC PART: 000 REVISION: B
	DRAFT WHERE APPLICABLE MUST REMAIN WITHIN DIMENSIONS		THIRD ANGLE PROJECTION	DRAWING: <b>A3-SIZE</b>	SERIES: <b>220573</b>