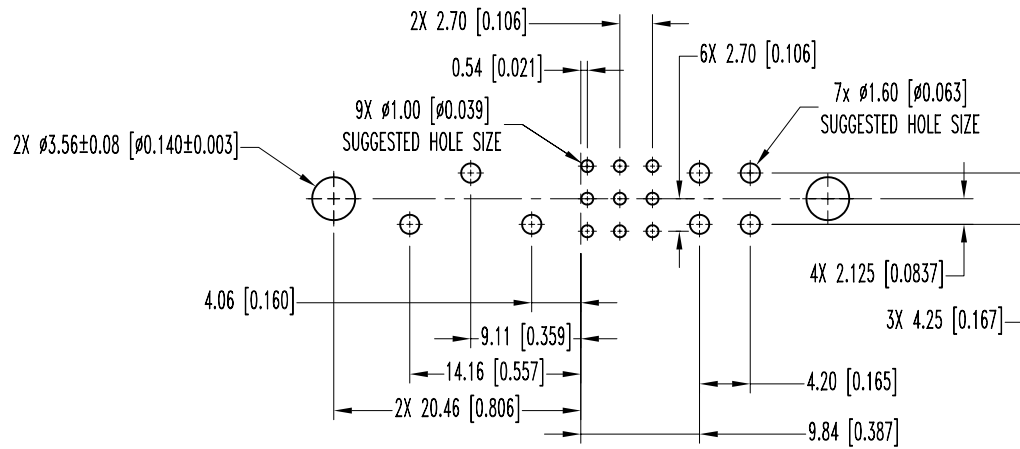


POSITRONIC INDUSTRIES BELIEVES THE DATA ON THIS DRAWING TO BE RELIABLE. SINCE THE TECHNICAL INFORMATION IS GIVEN FREE OF CHARGE, THE USER EMPLOYS SUCH INFORMATION AT HIS OWN DISCRETION AND RISK. POSITRONIC INDUSTRIES ASSUMES NO RESPONSIBILITY FOR RESULTS OBTAINED OR DAMAGES INCURRED FROM USE OF SUCH INFORMATION IN WHOLE OR IN PART.

DATE	REV	REVISION RECORD	APP	DR	CK
06-08-01	NC	ECO 17857	RCW	TK	COLE
9-5-01	A	ECO 18263		ME	



NOTES:

1. MATERIALS AND FINISHES:

- INSULATOR: GLASS FILLED POLYESTER, UL 94V-0. COLOR: BLUE.
- SIZE 16 CONTACTS: HIGH CONDUCTIVITY PRECISION MACHINED COPPER ALLOY WITH GOLD FLASH OVER NICKEL.
- SIZE 22 CONTACTS: PRECISION MACHINED COPPER ALLOY WITH GOLD FLASH OVER NICKEL.

2. ELECTRICAL CHARACTERISTICS:

- CONTACT CURRENT RATING:
- SIZE 16 POWER CONTACTS:
 - POSITIONS 14, 15 AND 16: 40 AMPERES CONTINUOUS, ALL CONTACTS UNDER LOAD.
 - POSITIONS 1-4: 28 AMPERES CONTINUOUS, ALL CONTACTS UNDER LOAD.
- SIZE 22 SIGNAL CONTACTS: 3 AMPERES NOMINAL.
- INITIAL CONTACT RESISTANCE; PER IEC 512-2, TEST 2b.
- SIZE 16 CONTACT: 0.0007 OHMS MAXIMUM.
- SIZE 22 CONTACT: 0.004 OHMS MAXIMUM.
- INSULATOR RESISTANCE: 5 G OHMS PER IEC 512-2, TEST 3a.

VOLTAGE PROOF:

- CONTACTS: 14, 15 AND 16: 3,000 V r.m.s.
- CONTACTS: 1 THROUGH 4: 1,500 V r.m.s.
- CONTACTS: 5 THROUGH 13: 1,000 V r.m.s.

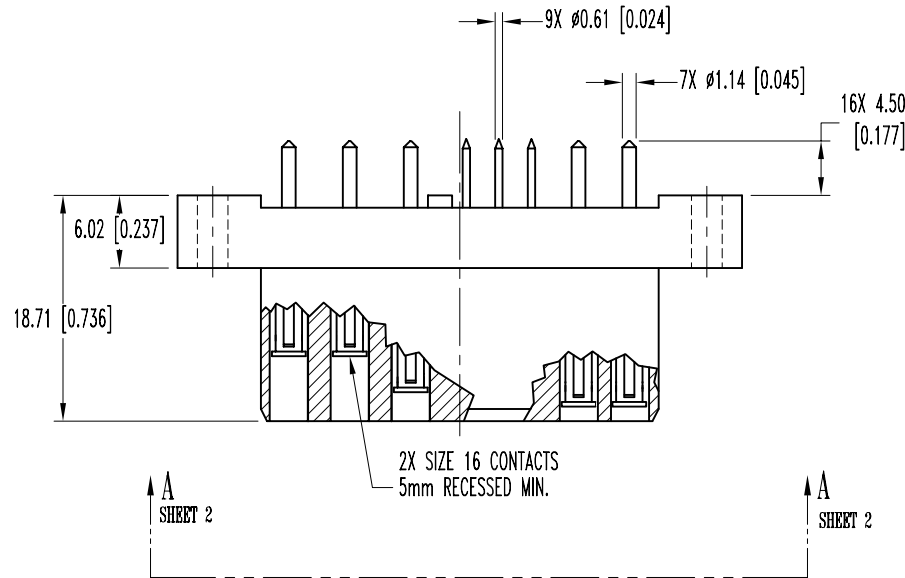
CREEPAGE AND CLEARANCE

DISTANCE; MINIMUM:

- CONTACT 16 TO CONTACT 14: 3.2 [0.126]
- CONTACT 15 TO CONTACT 14: 3.2 [0.126]
- CONTACT 16 TO SIGNAL CONTACTS: 6.4 [0.252]
- CONTACT 15 TO SIGNAL CONTACTS: 6.4 [0.252]
- CONTACT 16 TO CONTACT 15: 2.5 [0.098]
- CONTACT 14 TO SIGNAL CONTACTS: 2.0 [0.079]

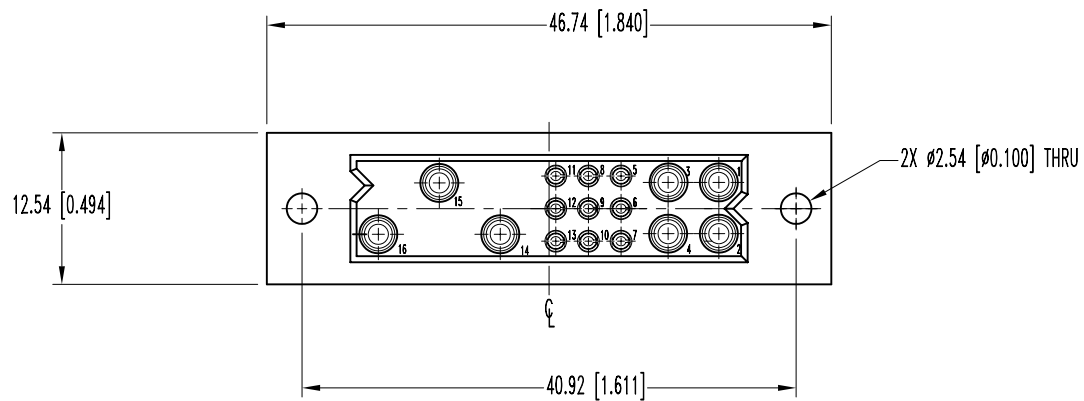
3. WORKING TEMPERATURE: -55°C TO +125°C.

4. DIMENSIONS ARE IN MILLIMETERS [INCHES].



		POSITRONIC INDUSTRIES INC. www.connectpositronic.com	
		PCI SERIES	SCALE N.T.S.
DECIMAL TOL. ± 0.38 [0.015]	TITLE PCIC16W7F300A1		
WF # 3963	DATE 06-06-01	DRAWING NUMBER SK3783	REV. SHEET 1 OF 2 A

POSITRONIC INDUSTRIES BELIEVES THE DATA ON THIS DRAWING TO BE RELIABLE. SINCE THE TECHNICAL INFORMATION IS GIVEN FREE OF CHARGE, THE USER EMPLOYS SUCH INFORMATION AT HIS OWN DISCRETION AND RISK. POSITRONIC INDUSTRIES ASSUMES NO RESPONSIBILITY FOR RESULTS OBTAINED OR DAMAGES INCURRED FROM USE OF SUCH INFORMATION IN WHOLE OR IN PART.



VIEW A-A