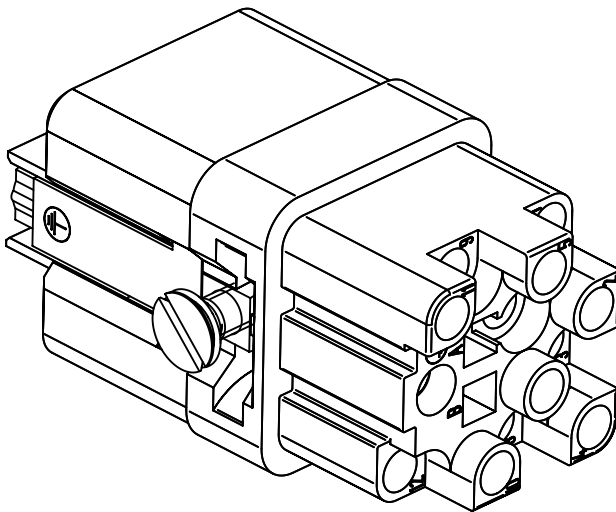


insert fixing screw M3 (IP 65/67)
separately enclosed



Coating	A=	mm ²	V=	mm ³	m=	g	Mat.
	All Dimensions in mm Original Size DIN A4		Scale 2:1	Free size tol.			Ref. Sub. TB 09 12 012 3103 vom 27.10.10
	All rights reserved Department EL PD - DE	Created by FINKEV	Inspected by BERGHORN	Standardisation TIEMANNA	Date 2015-06-23	State Final Release	
HARTING Electric GmbH & Co. KG D-32339 Espelkamp		Title Han Q 12/0 FEMALE W. SCREW F. IP65/67				Doc-Key / ECM-Nr. 100196643/UGD/003/A 500000089309	
		Type TB	Number 09 12 012 3103			Rev. A	Page 1/1