

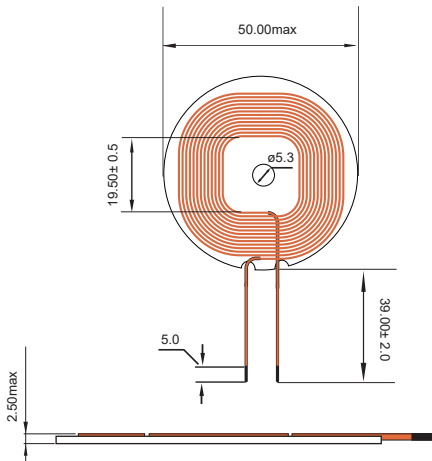
# YX-A11-R501053-GF0835



## APPLICATIONS

- Cross outlet
- Coil attached square diskette, size:  $\phi 50 \times 5.3 \text{mm} \times 1.0 \text{mm}$  (Adhesive backing)
- Double-sided magnetic tape
- Attach the coil to double-sided tape
- Double line tinning

## SHAPE & DIMENSIONS



Dimensions in mm

## AIR COIL SPECIFICATIONS

Number of Coils	Wire Diameters	Turns Ratio
1	$\phi 0.08 \text{mm} \times 105\text{P}$	12T

## MAXIMUM RATINGS

Operating Temperature / Humidity	Storage Temperature / Humidity
-40 to +85°C / 10 to 65% R.H.	-25 to +125°C / 10 to 65%

## ELECTRICAL CHARACTERISTICS

OCL [100kHz 0.1V] ( $\mu\text{H}$ )	DCR [100kHz 0.1V] ( $\text{m}\Omega$ )	WPC Compliant
10.00 ± 10%	44.0	Yes

## PACKAGING : BOX TYPE

Dimensions (mm)		Quantity (pcs)	
Tray	3	Qty per tray	250
Small carton	320x320x55	Qty per small carton	3
Outer carton	350x350x180	Qty per outer carton	750

## OTHERS

Weight (g) typ.	15.25
--------------------	-------