

MICRO SWITCH
 FREEPORT, ILLINOIS U.S.A.
 A DIVISION OF HONEYWELL
 FED. MFG. CODE 91929

SWITCH - ENCLOSED

CATALOG LISTING
842EN34-6
 CUSTOMER PART NO.
ST5MI270-002

M 842EN34-6

DRAWING NUMBER

ISSUE

REVISIONS

A	CO	55607	
	MAM	13 AUG 84	
B	CO	55981	
	KJS	5 NOV 84	
C	CO	57370	
	MAM	15 MAY 85	
D	0006802		
	TCC/AP	30 AUG 04	
E	0040375		
	RS	06JUN08	

REPLACES

RELEASE NO. PR-12830

CHECK

06JUN08

CMH

CHECK

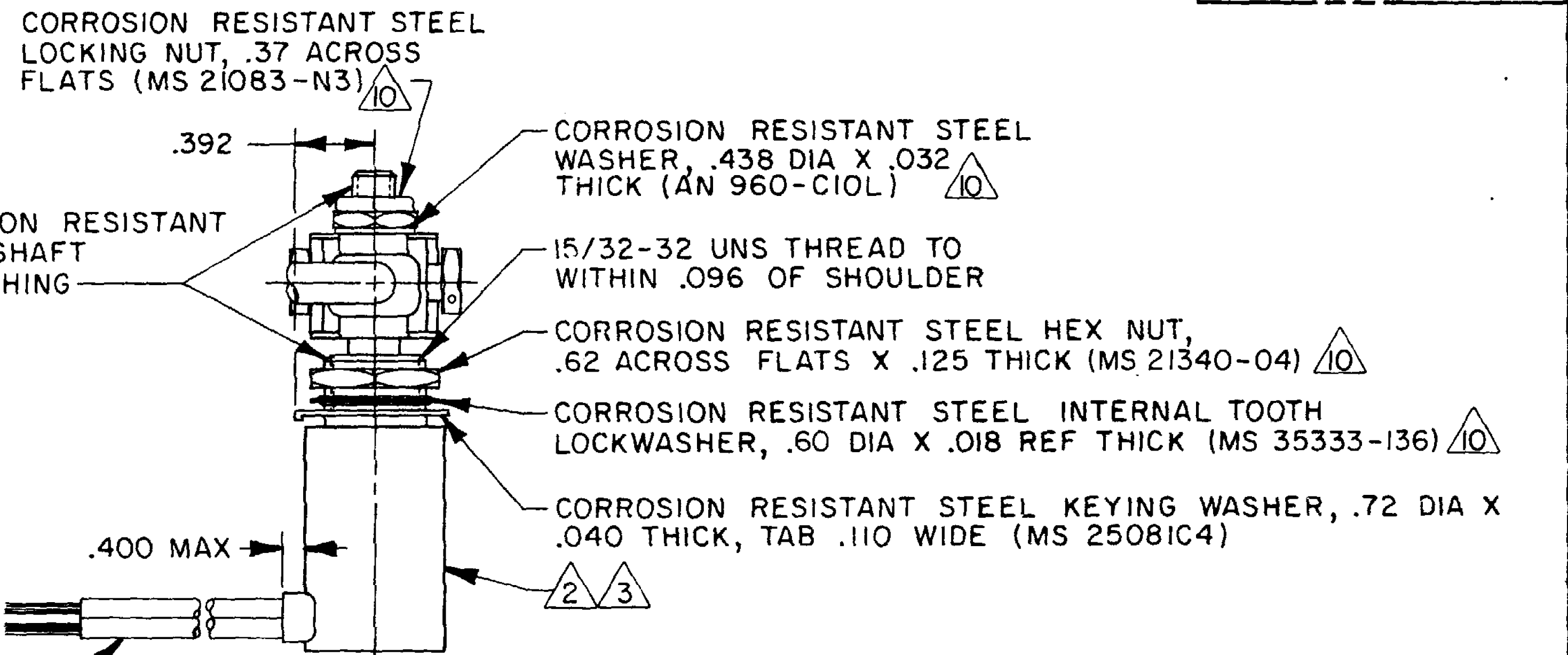
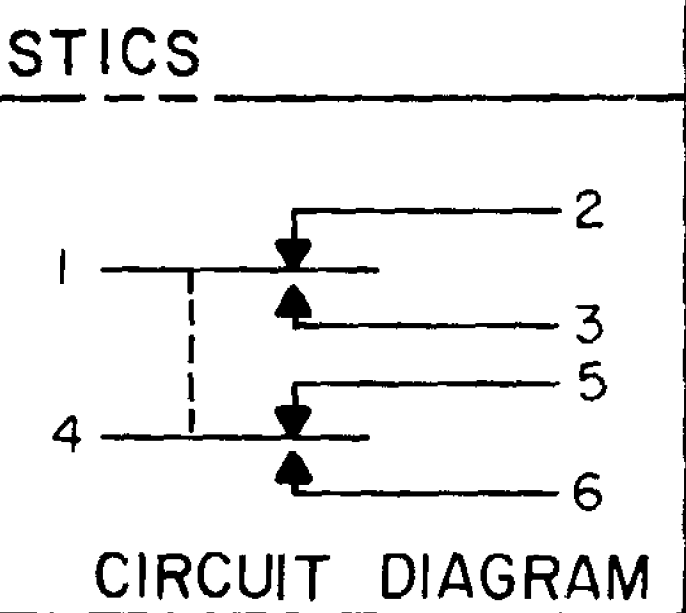
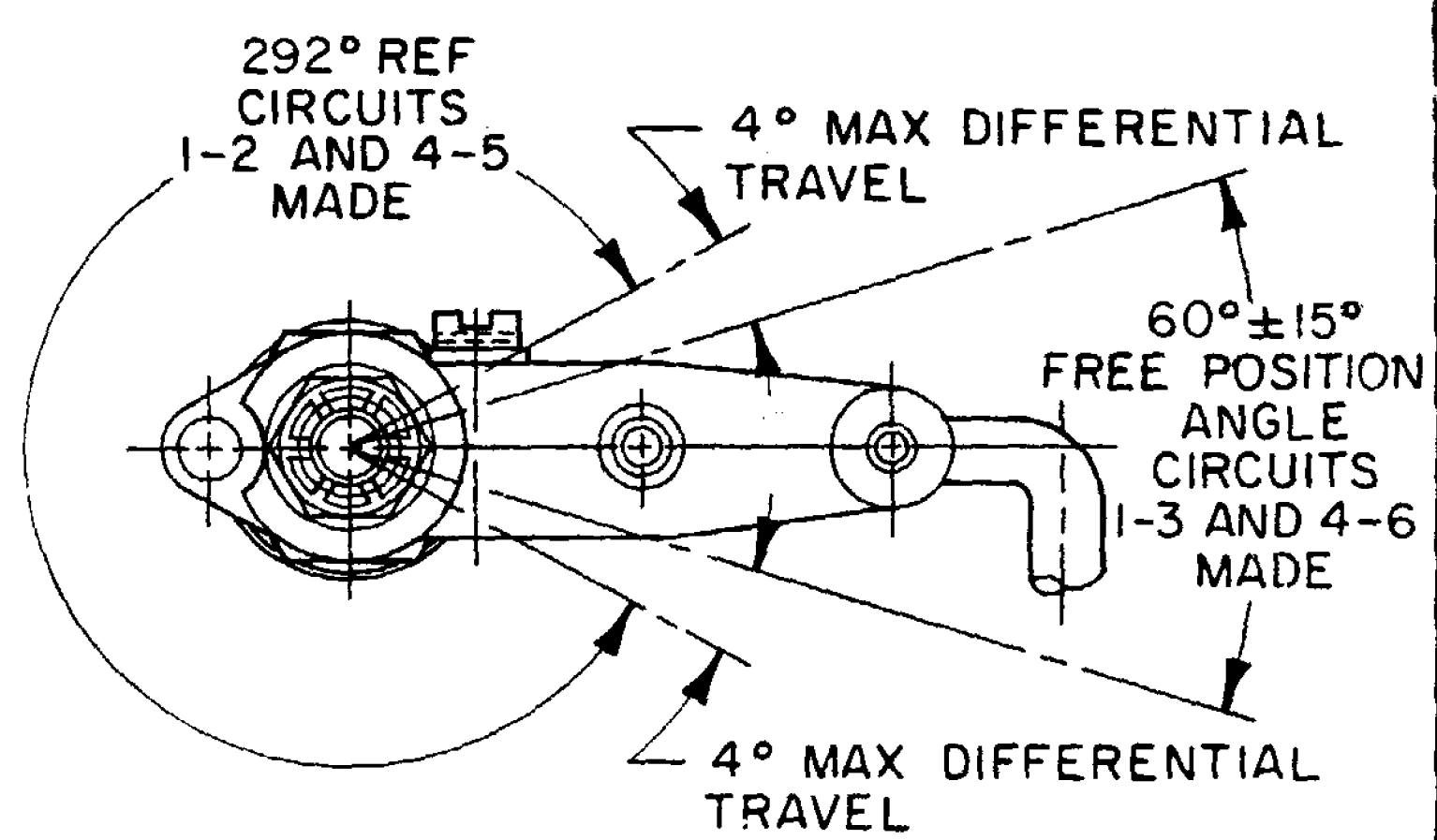
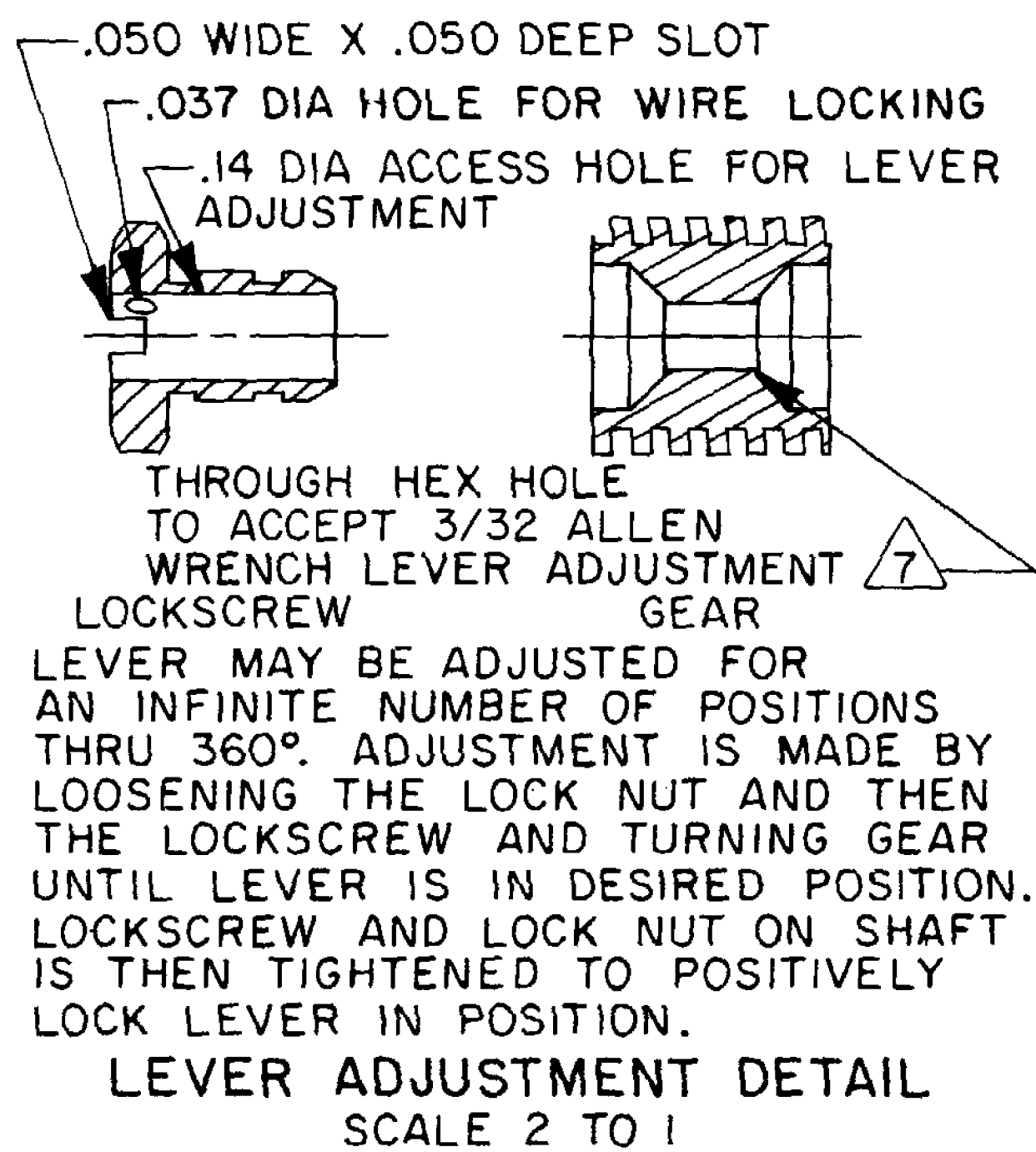
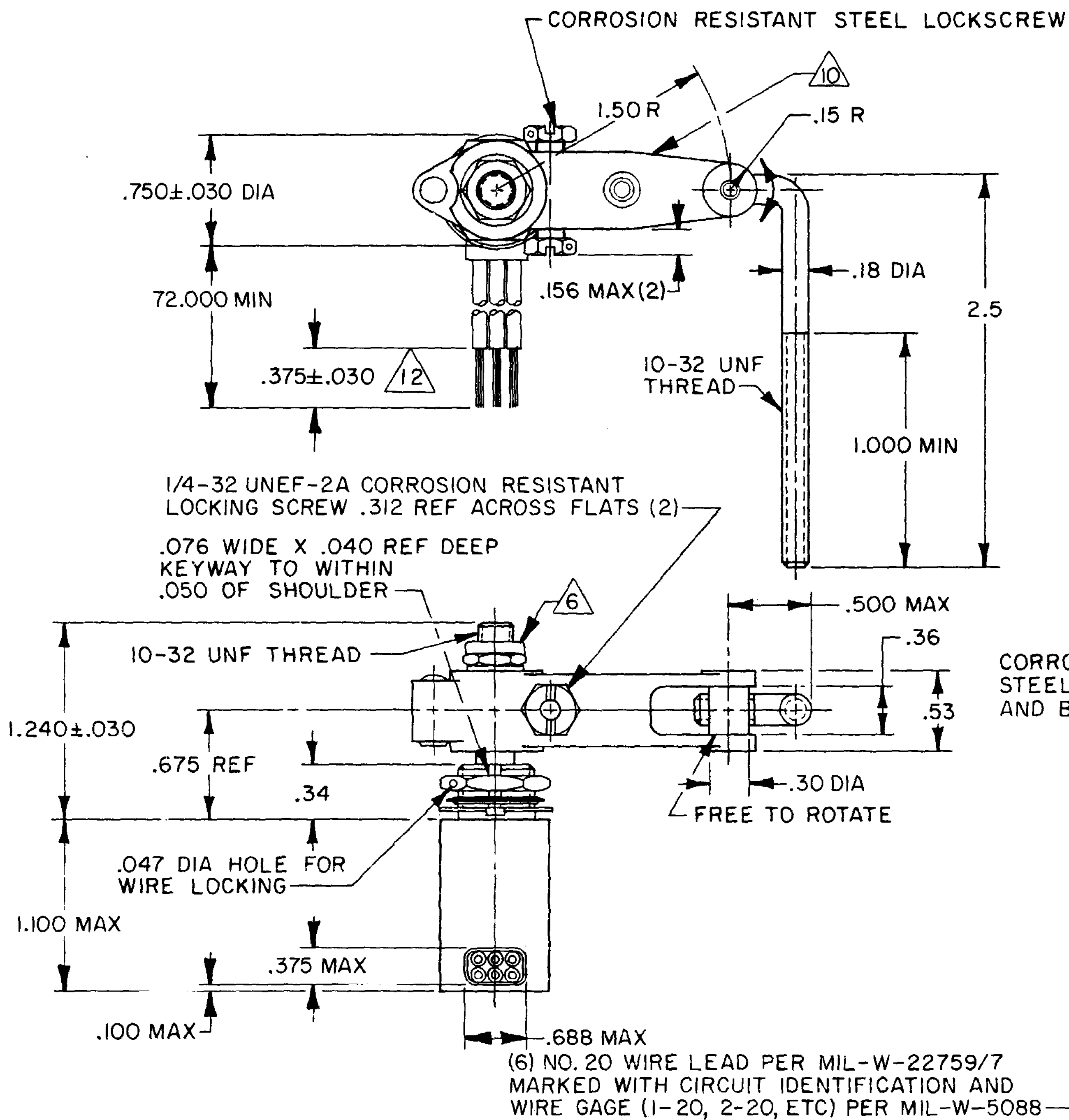
9 MAR 84

CHECK

29 FEB 84

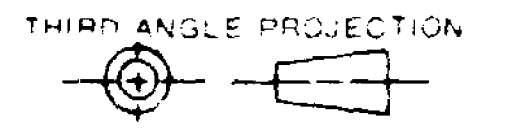
DRAWN

FO-5285 1-A



- NOTES**
- 1 - ALL EXPOSED PARTS ARE CORROSION RESISTANT
 - 2 - CUSTOMER PART # PERMANENTLY MARKED ON SIDE OF SWITCH
 - 3 - MICRO IDENTIFICATION AND CIRCUIT DIAGRAM PERMANENTLY MARKED ON SIDE OF SWITCH
 - 4 - UNIT PROVIDES NO SHAFT RESTORING TORQUE. THE ACTUATING DEVICE MUST CONTROL MOVEMENT OF THE SHAFT
 - 5 - CIRCUIT DIAGRAM SHOWN WITH SWITCH IN OPERATED POSITION
 - 6 - DO NOT APPLY MORE THAN 20-25 INCH-LBS OF TORQUE WHEN TIGHTENING LOCKING NUT
 - 7 - WORM GEAR TO TURN WITH 6 IN-LB MAX TORQUE WITH SCREWS LOCKED OUT TIGHT
 - 8 - NOTED ELECTRICAL RATINGS APPLY AS SPECIFIED IN MIL-PRF-8805/39 UP TO +185°F
 - 9 - SWITCH SEALED PER MIL-PRF-8805 SYMBOL 4
 - 10 - HARDWARE MAY BE PACKAGED UNASSEMBLED PER MIL-PRF-8805
 - 11 - NOTED OPERATING TORQUE RATING APPLIES AT -55°C TO +85°C AND +177°C FOR 20 MIN.
 - 12 - SOLDER TIN END OF LEADWIRE

THIS DRAWING COVERS A PROPRIETARY ITEM AND IS THE PROPERTY OF MICRO SWITCH, A DIVISION OF HONEYWELL. THIS DRAWING IS NOT TO BE COPIED OR USED WITHOUT THE APPROVAL OF MICRO SWITCH.



SCALE FULL
 DO NOT SCALE PRINT

CHARACTERISTICS

OPERATING TORQUE-----24 IN OZ MAX Δ 11
 OPERATING TORQUE AT +22°C-----16 IN OZ MAX

PRETRAVEL }
 DIFFERENTIAL TRAVEL } SEE DETAIL
 OVERTRAVEL }
 FREE POSITION }

ELECTRICAL DATA

CONTACT ARRANGEMENT
 S P D T (2)

LOAD	SEA LEVEL	50,000 FT.
RES	7	7
IND	4	2.5
MOTOR	4	
LAMP		

TOLERANCES
 APPLY TO DESIGN UNITS. CONVERSIONS ARE ONLY FOR REFERENCE. UNLESS NOTED TOLERANCES ARE:

DIM.	TOL.	DIM.	TOL.
mm	mm/in	in	mm/in
NO PLACES	X	1/64	X X
ONE PLACE	X X	0.4/016	X X X
TWO PLACES	X X X	0.15/006	X X X X
THREE PLACES	X X X X		X X X X X
ANGLES			

DESIGN UNITS: SI METRIC U.S. CUSTOMARY

RAW MATERIAL-COMMERCIAL STANDARD MICRO SWITCH STANDARDS APPLY
 DIMENSIONS ARE TO BE MET BEFORE PROTECTIVE COATINGS ARE APPLIED

WEIGHT 8.5 OZ

Mouser Electronics

Authorized Distributor

Click to View Pricing, Inventory, Delivery & Lifecycle Information:

[Honeywell:](#)

[842EN34-6](#)