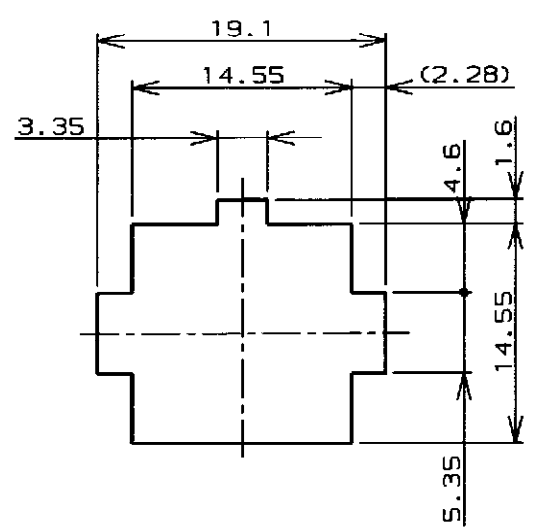
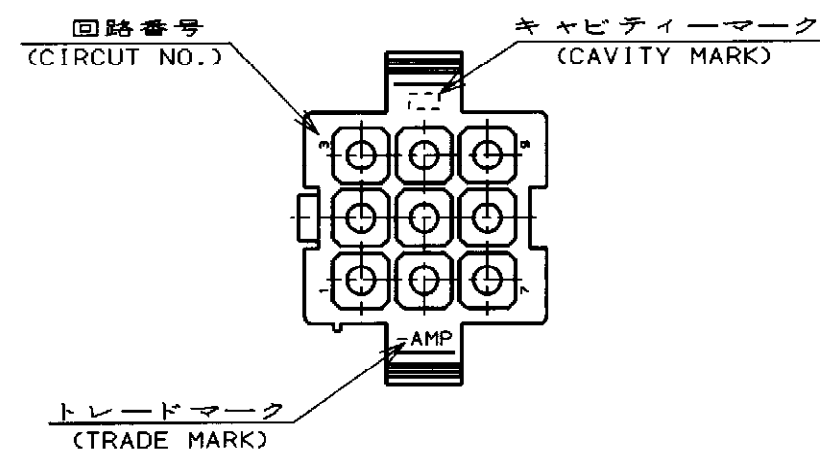
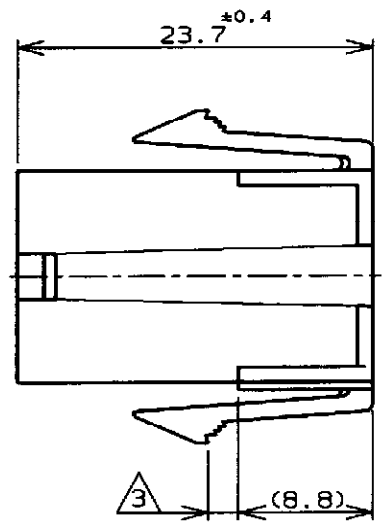
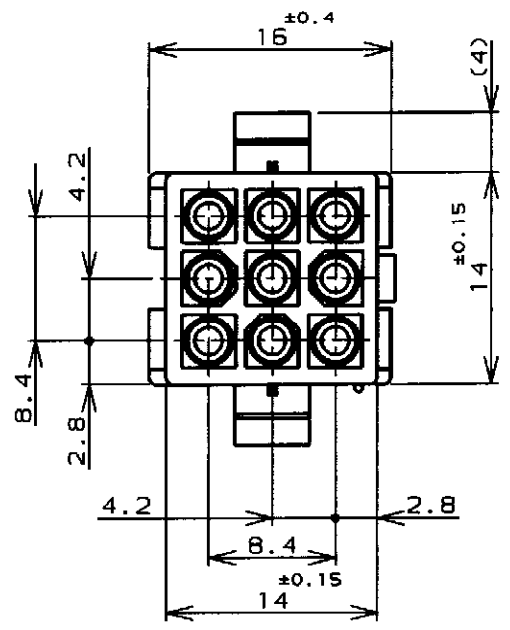
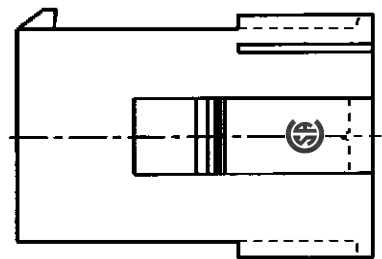


THIS DRAWING IS UNPUBLISHED. RELEASED FOR PUBLICATION  
 (C) COPYRIGHT ALL RIGHTS RESERVED.

| LOC |     | DIST                      |  | REVISIONS |     |      |     |      |
|-----|-----|---------------------------|--|-----------|-----|------|-----|------|
|     |     |                           |  | 変更        |     | DATE | DWN | APVD |
| P   | LTR | DESCRIPTION               |  | DATE      | DWN | APVD |     |      |
|     | F   | REVISED PER ECR-23-177478 |  | 14AUG2023 | SM  | JP   |     |      |



寸法公差は±0.20 (TOLERANCE: ±0.20)  
 パネル取付穴 (RECOMENDED PANEL OPENING DIMENSION)



注記;

1. 使用端子型番は170359, 170360, 170361, 170362
2. 嵌合相手ハウジング型番は172169
3. 通用パネル厚 0.8-2.0mm
4. 取付穴打抜方向とハウジングの挿入方向は同じとする。

NOTE;

1. APPLICABLE CONT P/N: 170359, 170360, 170361, 170362
2. MATING HSG P/N: 172169
3. APPLICABLE PANEL THICKNESS: 0.8-2.0mm
4. HOUSING INSERTION INTO THE PANEL CUT-OUT MUST BE DONE IN THE SAME DIRECTION WITH PUNCH KNOCKING.
5. OBSOLETE PARTS: OBSOLETE CIS STREAMLINING PER D.RENAUD/D.SINISI

5  
OBSOLETE

|                       |                        |
|-----------------------|------------------------|
| 黒 (BLACK)             | 1-172161-9             |
| 青 (BLUE)              | 1-6                    |
| 緑 (GREEN)             | 1-5                    |
| 赤 (RED)               | 1-2                    |
| 自然色 (NATURAL)         | 172161-1               |
| 色 (COLOR)             | 型番 (P/N)               |
| WIRE RANGE<br>包含電線断面積 | INSULATION DIA<br>被覆外径 |

|                                  |   |   |   |                    |
|----------------------------------|---|---|---|--------------------|
| DIMENSIONS:<br>単位・純<br>mm        | TOLERANCES UNLESS<br>OTHERWISE SPECIFIED<br>一般公差<br>(GENERAL TOLERANCE)<br>±0.3 | DWN 8 JUN '98<br>N. YAMASAKI            | TE Connectivity   |                    |
|                                  |   | CHK 15 JUN '98<br>M. SHINDO             |   |                    |
| MATERIAL<br>材料<br>PA66/6 UL94V-0 | FINISH<br>仕上  | APVD 15 JUN '98<br>M. SHINDO            | NAME<br>名称  |                    |
|                                  |   | PRODUCT SPEC<br>製品規格<br>108-5138        | 9極ミニユニバーサルメイトンロックキャップハウジング (UL94V-0)                        |                    |
|                                  |   | INSTRUCTION SHEET<br>取り扱い説明書<br>IS-105J | 9Pos MINI UNIVERSAL MATE-N-LOCK CONN. CAP HOUSING (UL94V-0) |                    |
|                                  |   | WEIGHT                                  | SIZE A3   | CAGE CODE 00779    |
|                                  |   | CUSTOMER DRAWING                        | DRAWING NO<br>番号<br>C-172161                                | RESTRICTED TO      |
|                                  |   |   | SCALE 2-1   | SHEET 1 OF 1 REV F |