

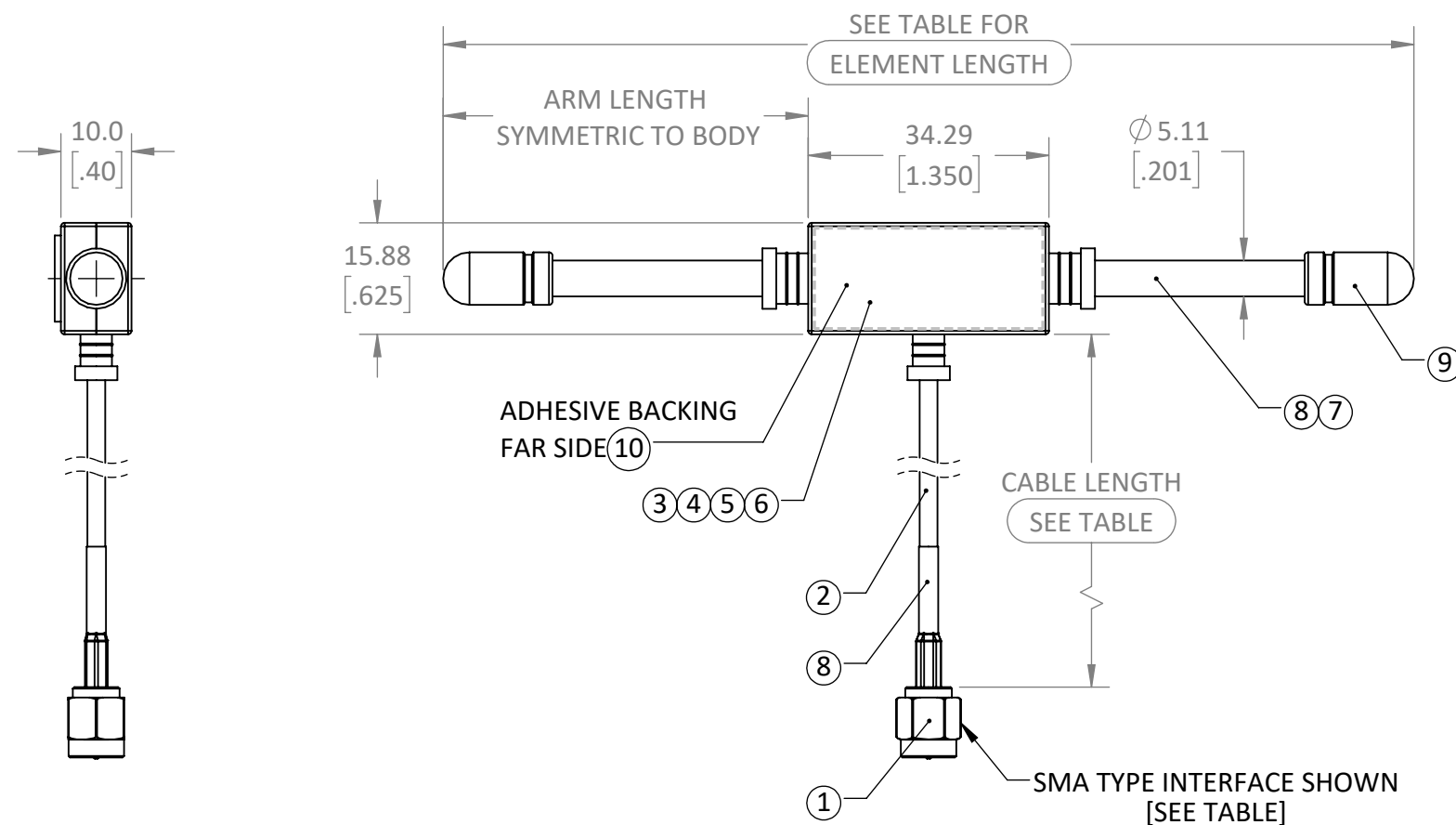
REVISIONS			
REV	DESCRIPTION	DATE	APPV
A	PRODUCTION RELEASE	JHAGER 10/12/21	

D

C

B

A



NOTES: (UNLESS OTHERWISE SPECIFIED)

- ALL DIMENSIONS ARE IN MILLIMETERS [IN].
- DIMENSIONS APPLY AFTER FINISHING.
- MANUFACTURE TO BE COMPLIANT WITH EU RoHS DIRECTIVE, USE MATERIALS THAT DO NOT CONTAIN REACH SUBSTANCES OF VERY HIGH CONCERN >1000ppm, AND USE DRC CONFLICT-FREE SOURCED MATERIALS.
- ELECTRICAL SPECIFICATIONS ARE LISTED FOR REFERENCE ONLY. SEE LINX DATA SHEET FOR CURRENT PROPERTIES.
 - IMPEDANCE: 50Ω
 - FREQUENCY: SEE TABLE
- MECHANICAL:
 - MOUNTING: ADHESIVE BACKED FOAM. APPLY BETWEEN +10° - +40°C. APPLY EVEN PRESSURE. ADHESIVE TO REACH FULL STRENGTH IN 24 HOURS.
 - ELEMENT CAPS (9) PERMANENTLY AFFIXED TO ELEMENT.
 - INTERFACE: SMA TYPE IAW MIL-STD-348B. RP-SMA INTERFACE IAW SPC-CON-IFC-RPS
- PACKAGE ANTENNAS INDIVIDUALLY IN PLASTIC BAGS WITH EXCESS CABLE TIED UP BEFORE PLACING IN LOT BAGS FOR SHIPMENT
- LABEL LOT BAGS AND BOX IAW LINX LABEL DRAWING [MEC-LBL-4x2.5-PAPER-ID]

ITEM NUMBER	CENTER FREQUENCY	ELEMENT LENGTH	CABLE LENGTH	CONNECTOR
ANT-916-MHW-SMA-S	916MHz	138.0[5.43]	2000±25 [79]	SMA
ANT-916-MHW-SMA-L	916MHz	138.0[5.43]	4600±51 [180]	SMA
ANT-916-MHW-RPS-S	916MHz	138.0[5.43]	2000±25 [79]	RP-SMA
ANT-916-MHW-RPS-L	916MHz	138.0[5.43]	4600±51 [180]	RP-SMA
ANT-868-MHW-SMA-S	868MHz	138.0[5.43]	2000±25 [79]	SMA
ANT-868-MHW-SMA-L	868MHz	138.0[5.43]	4600±51 [180]	SMA
ANT-433-MHW-RPS-S	433MHz	145.0[5.70]	2000±25 [79]	RP-SMA
ANT-433-MHW-RPS-L	433MHz	145.0[5.70]	4600±51 [180]	RP-SMA
ANT-433-MHW-SMA-S	433MHz	145.0[5.70]	2000±25 [79]	SMA
ANT-433-MHW-SMA-L	433MHz	145.0[5.70]	4600±51 [180]	SMA
ANT-418-MHW-RPS-S	418MHz	150.0[5.91]	2000±25 [79]	RP-SMA
ANT-418-MHW-RPS-L	418MHz	150.0[5.91]	4600±51 [180]	RP-SMA
ANT-418-MHW-SMA-S	418MHz	150.0[5.91]	2000±25 [79]	SMA
ANT-418-MHW-SMA-L	418MHz	150.0[5.91]	4600±51 [180]	SMA

ITEM NUMBER	QTY	DESCRIPTION
1	1	CONNECTOR, [SEE TABLE], GOLD/BRASS
2	1	CABLE COAX RG174 50Ω BLACK
3	1	BODY, 2PC, ANTENNA, ABS, BLACK
4	1	CAP, CERAMIC, TUNE
5	2	ELEMENT HOLDER, BRASS
6	2	SCREW, TAP, #2X.25, AB TYPE, ZINC
7	2	ELEMENT, [FREQ. SEE TABLE] COIL, Cu/STEEL
8	3	HEAT SHRINK COVER, POLYOL, BLACK
9	2	ELEMENT CAP, ABS, BLACK
10	1	ADHESIVE, VHB, ACRYLIC ADHESIVE/FOAM

WARNING: THIS DRAWING CONTAINS PROPRIETARY INFORMATION THAT IS THE SOLE PROPERTY OF LINX TECHNOLOGIES, AND SHALL BE TREATED AS SUCH. NO DISCLOSURE OR REPRODUCTION OF THIS DOCUMENT IS PERMITTED, IN WHOLE OR IN PART, WITHOUT THE EXPRESS WRITTEN PERMISSION OF LINX TECHNOLOGIES OR ITS DESIGNATED AGENTS.

MATERIAL:
ABS, PVC
RG174

WEIGHT:

FINISH:
BLACK
GOLD

INTERPRET DIMENSIONS AND TOLERANCES PER ASME Y14.5.
.X ±2.0
.XX ±1.00
.XXX ±.500

PROJECTION:
FIRST ANGLE

DRAWN: JHAGER

ENGR: DASARATHAN

DT: 10/12/21

DT: 10-JUL-08

STE 159 ORT LANE
connectivity MERLIN, OR 97532

TITLE:
ANTENNA, MHW TYPE
916MHz, 868MHz, 433MHz, 418MHz

SIZE DWG. NO.
B C-ANT-FFF-MHW-CCC-X

SCALE: 1:1 DO NOT SCALE DRAWING

REV
A

SHEET 1 OF 1

8

7

6

5

4

3

2

1

LDCDFB_B