
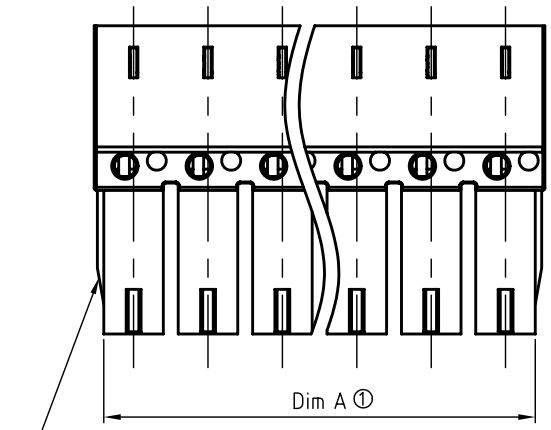
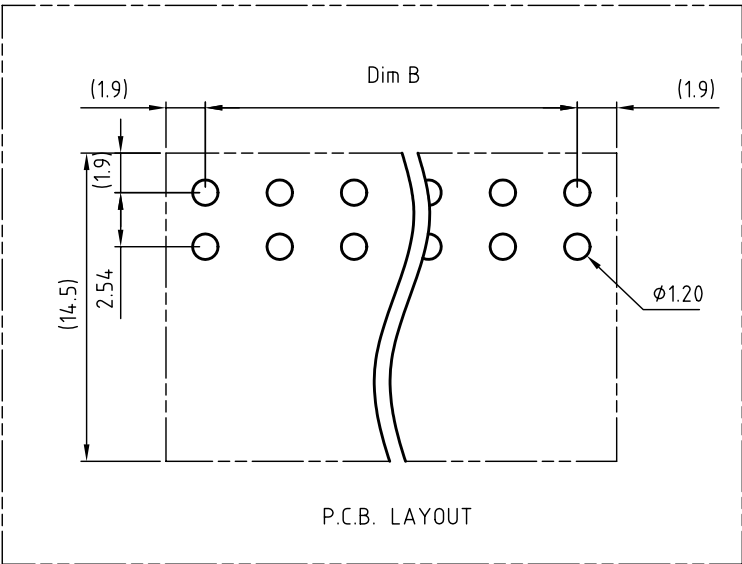


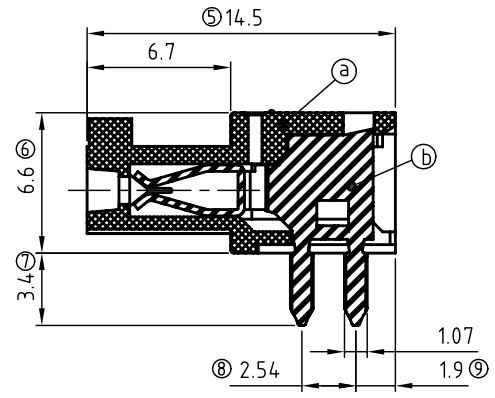
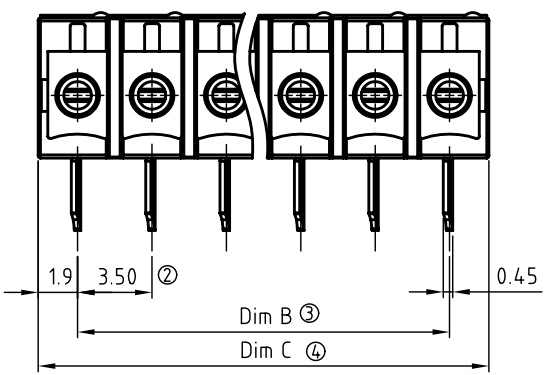
| SIGN | DATE | DESCRIPTION | APPROVER |
|-------------------------------------------------------|------------|--------------------|----------|
| △ | 2010.01.12 | Add cULus standard | Jacke |
| THIS IS CAD DRAWING, DO NOT REVISE MANUALLY!!! | | | |

Materials
 Item a Terminal body:Thermoplastic (UL94V-0)
 Item b Female contact:PhBz(CuSn),Tin plated

- Electrical
- Voltage rating: 300V AC
 - Current rating: 8A
 - Withstanding Voltage: 1.6kv
 - Operating temperature: -40°C to +115°C
 - Soldering temperature: 250°C±10°C/5 Sec
 - △ ● Safety Approval: 



2P to 6P with wedge,
above 7P without wedge.



V7 xx 1 1 x 1 xxxx G

- | | | |
|----------------|---------------------|---------------------------------------|
| No. OF POLES | | G: Pb<4000ppm |
| 02 2 CONTACTS | | 0000: "@ Logo (Standard) |
| 03 3 CONTACTS | | 000A: "ANYTEK" Mark |
| ... | | Any special item by customer request. |
| 24 24 CONTACTS | | please contact sales department. |
| | Color | |
| | 0 Black (RAL9005) | |
| | 2 Red (RAL3001/D) | |
| | 3 Orange(RAL2011/P) | |
| | 4 Yellow(RAL1018/A) | |
| | 5 Green(RAL6018/T) | |
| | 6 Blue (RAL5015/A) | |
| | 8 Grey(RAL7035/D) | |

| | | | | | | | | | | | | |
|-------|-------|------|------|------|-------|------|------|------|-------|------|------|------|
| Poles | 02 | 03 | 04 | 05 | 06 | 07 | 08 | 09 | 10 | 11 | 12 | 13 |
| Dim A | 6.3 | 9.8 | 13.3 | 16.8 | 20.3 | 23.8 | 27.3 | 30.8 | 34.3 | 37.8 | 41.3 | 44.8 |
| Dim B | 3.5 | 7.0 | 10.5 | 14.0 | 17.5 | 21.0 | 24.5 | 28.0 | 31.5 | 35.0 | 38.5 | 42.0 |
| Dim C | 7.2 | 10.7 | 14.2 | 17.7 | 21.2 | 24.7 | 28.2 | 31.7 | 35.2 | 38.7 | 42.2 | 45.7 |
| TOL | ±0.10 | | | | ±0.15 | | | | ±0.20 | | | |
| Poles | 14 | 15 | 16 | 17 | 18 | 19 | 20 | 21 | 22 | 23 | 24 | |
| Dim A | 48.3 | 51.8 | 55.3 | 58.8 | 62.3 | 65.8 | 69.3 | 72.8 | 76.3 | 79.8 | 83.3 | |
| Dim B | 45.5 | 49.0 | 52.5 | 56.0 | 59.5 | 63.0 | 66.5 | 70.0 | 73.5 | 77.0 | 80.5 | |
| Dim C | 49.2 | 52.7 | 56.2 | 59.7 | 63.2 | 66.7 | 70.2 | 73.7 | 77.2 | 80.7 | 84.2 | |
| TOL | ±0.20 | | | | ±0.25 | | | | ±0.30 | | | |

| | | | | | | | | |
|-------------------------------------------------------------------------------------------------------------------------------------------------------------------------------------------|--|------------------------------------|--|------------------------|--|--------------|--|-----------|
| ANYTEK | | | | INSPECTION COPY | | | | |
| ALL RIGHTS RESERVED. REPRODUCTION OR ISSUE TO THIRD PARTIES IN ANY FORM WHATSOEVER IS NOT PERMITTED WITHOUT WRITTEN AUTHORITY FROM THE PROPRIETOR. PROPERTY OF ANYTEK TECHNOLOGY CO., LTD | | | | | | | | |
| TITLE | | V7 3.5mm series Right angle 2p-24p | | | | DWG NO. | | 8V70002 |
| PART NO. | | V7xx11x1xxxxG | | | | APPROVED | | CUST NO. |
| CHECKED | | DESIGNED | | DRAWN | | Tolerance | | |
| | | Jacke 2010.01.14 | | Jacke 2010.01.14 | | UNIT: mm | | X. ±0.5 |
| | | | | | | SCALE: NONE | | X.X ±0.3 |
| | | | | | | SHEET: 01/01 | | X.XX ±0.1 |
| | | | | | | REV.: C | | X° ±1° |

Mouser Electronics

Authorized Distributor

Click to View Pricing, Inventory, Delivery & Lifecycle Information:

Amphenol:

[V70211510000G](#) [V70311510000G](#) [V70411510000G](#) [V70511510000G](#) [V70611510000G](#) [V70711510000G](#)
[V70811510000G](#) [V70911510000G](#) [V71011510000G](#) [V71111510000G](#) [V71211510000G](#) [V71311510000G](#)
[V71411510000G](#) [V71511510000G](#) [V71611510000G](#) [V71711510000G](#) [V71811510000G](#) [V71911510000G](#)
[V72011510000G](#) [V72111510000G](#) [V72211510000G](#) [V72311510000G](#) [V72411510000G](#)