



**SCHROFF**

Project - 0 item(s)

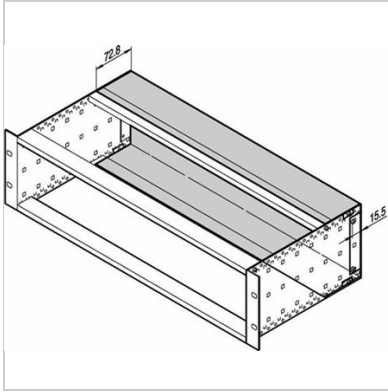
**MY PROJECT LIST**

- PRODUCTS
- APPLICATIONS
- INDUSTRIES
- NEW PRODUCTS
- CONFIGURATORS
- Products ▾
- Search

Home > Rear hood for subracks

## Rear hood for subracks

**SCHROFF**



**Catalog Number: 34561-752**

[Back To Product](#)

- Contact between the rear hood and the horizontal rails is established by the stainless steel contact strip for the cover plate. Thus no additional EMC sealing is necessary
- The rear hood is used as a shielded rear boundary. The rear hood requires 60 mm space. Therefore if the rear hood is used, the side panel depth must be 60 mm greater than the board depth. Example: For a board depth of 160 mm a side panel (with rear hood) of 235 mm (175 mm + 60 mm) is used

**Product family:**

EuropacPRO

**Note:**

Required quantity of screws per rear hood: 3 U subrack 10 screws; 6 U subrack 16 screws

**Type:**

Individual Components

**Individual Component Type:**

Cover Plates, Hoods and Accessories



**Select product specifications before modifying or adding to project list or requesting a quote.**

Height-U-defining

Width-HP-defining

[Clear Selection](#)

Quantity

**Add Item to Project List +**

**Links**

Native CAD files

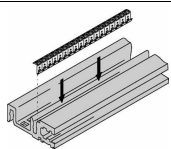
### Technical Data

<b>Qty</b>	1 piece
<b>Description</b>	Rear hood
<b>Height U</b>	3
<b>Width HP</b>	84

### Delivery Comprises:

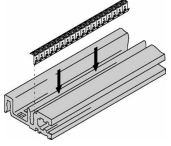
Item	Quantity	Description
1	1	Rear hood, Al, 1 mm, passivated

### Accessories



EMC gasket (stainless steel) between cover plate and horizontal rail , Stainless steel, PU  
 24560-246  
 100 pieces

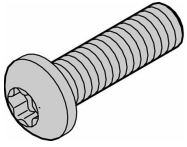
**Add Item to Project List +**



EMC gasket (stainless steel) between cover plate and horizontal rail , Stainless steel, PU 10 pieces

24560-245

[Add Item to Project List +](#)



Countersunk screw, torx (M4x6), steel zinc plated, PU 100 pieces

24560-135

[Add Item to Project List +](#)

**EXPLORE**

- [About Us](#)
- [Services & Capabilities](#)
- [News & Events](#)
- [Newsletter Subscriptions](#)
- [Strategic Partnerships](#)
- [Investor Relations](#)

**CONTACT**

- [Customer Service](#)
- [Find a Sales Office or Distributor](#)
- [Global Locations](#)
- [Product Compliance & Certifications](#)
- [Partner Login](#)

**DOWNLOAD**

- [Download Center](#)
- [Reference Projects](#)
- [Videos](#)
- [Product Configurators](#)
- [Warranties and Terms of Sale & Procurement](#)

© 2018 nVent. All rights reserved | [Privacy Policy](#) | [Terms of Use](#) | [Cookie Policy](#) | [Imprint](#) | [Site Map](#)

Connect With Us

