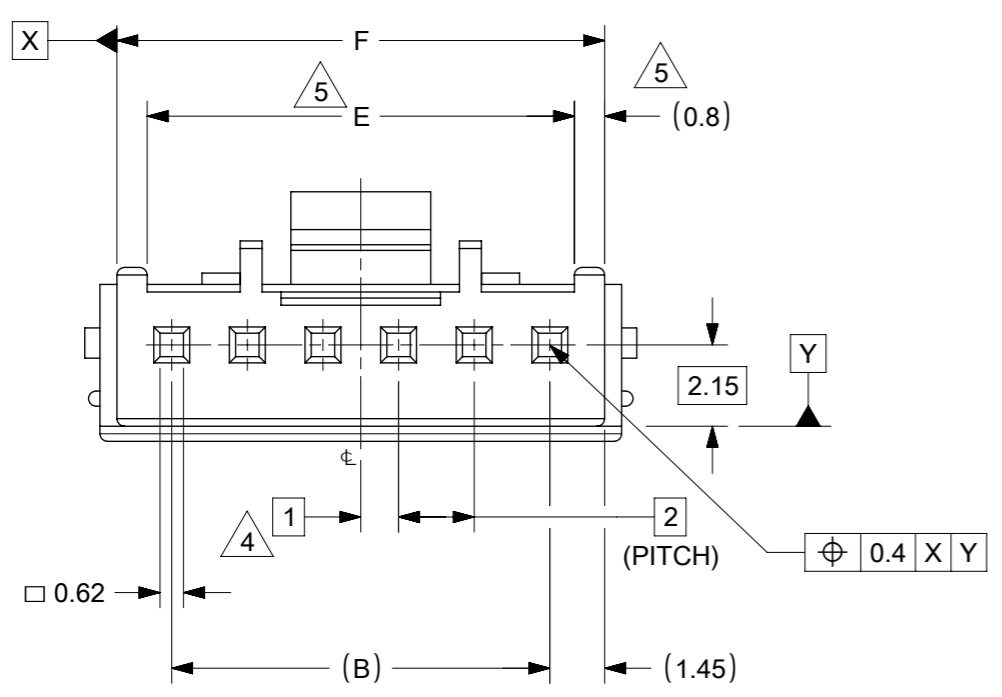
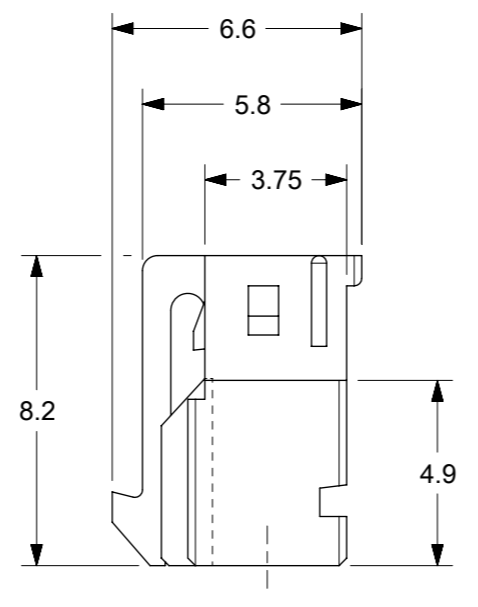
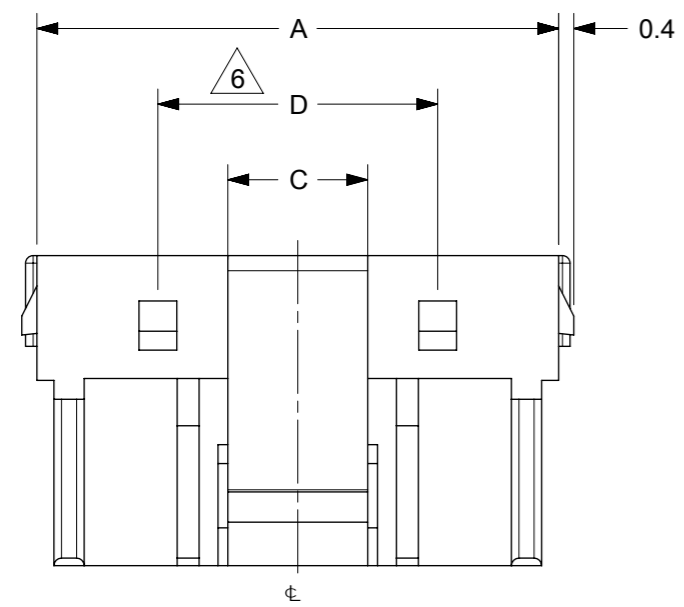
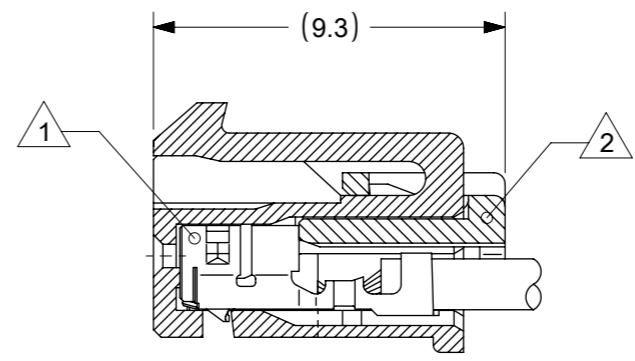
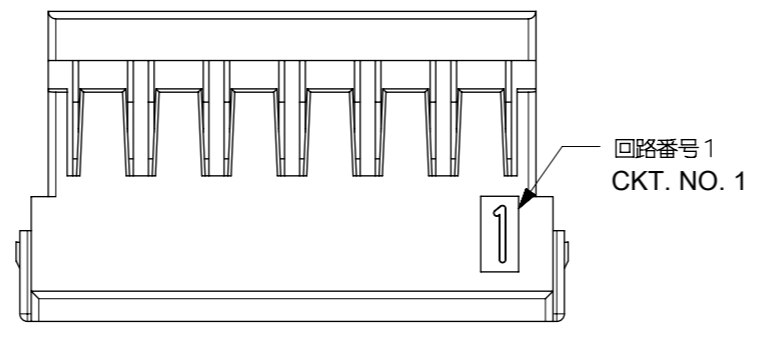
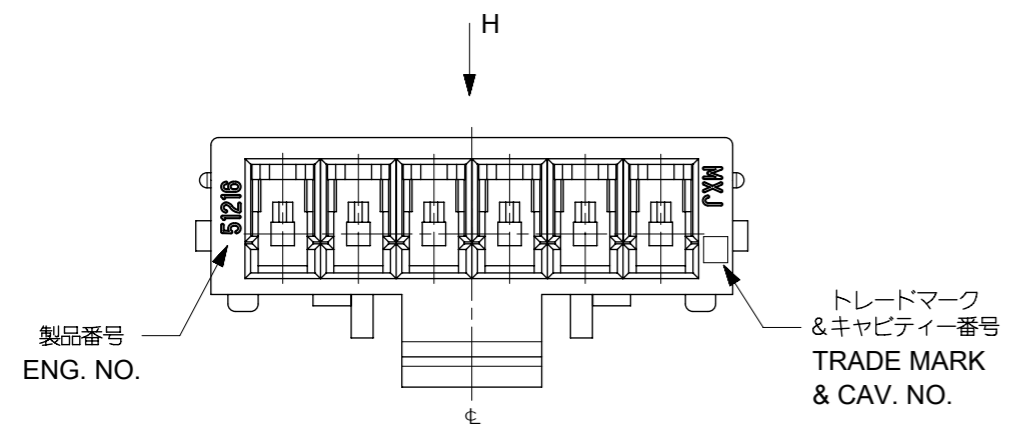


注記  
NOTES

- 1 適合ターミナル : 59370 シリーズ  
APPLICABLE TERMINAL : 59370 SERIES
- 2 適合リテーナー : 51217 シリーズ  
APPLICABLE RETAINER : 51217 SERIES
- 3. 嵌合相手 : 55487、55755シリーズ  
MATE WITH : 55487、55755
- 4 偶数極に適用。  
APPLY EVEN CIRCUIT PRODUCTS.
- 5 4~15 極に適用。  
APPLY 4-15 CIRCUITS.
- 6 5~15 極に適用。  
APPLY 5-15 CIRCUITS.
- 7. ELVおよびRoHS適合品  
ELV AND RoHS COMPLIANT
- 8.ハウジングの色 ( MATERIAL NO. の下1桁に対応 ) :  
HSG COLOR:
 

WHITE :	51216-***0
RED :	51216-***2
YELLOW :	51216-***3
BLUE :	51216-***4
GREEN :	51216-***6



30.9	29.3	7.4	3.7	28	31.8	51216-150*	15
28.9	27.3	7.4	3.7	26	29.8	51216-140*	14
26.9	25.3	7.4	3.7	24	27.8	51216-130*	13
24.9	23.3	7.4	3.7	22	25.8	51216-120*	12
22.9	21.3	7.4	3.7	20	23.8	51216-110*	11
20.9	19.3	7.4	3.7	18	21.8	51216-100*	10
18.9	17.3	7.4	3.7	16	19.8	51216-090*	9
16.9	15.3	7.4	3.7	14	17.8	51216-080*	8
14.9	13.3	7.4	3.7	12	15.8	51216-070*	7
12.9	11.3	7.4	3.7	10	13.8	51216-060*	6
10.9	9.3	7.4	3.7	8	11.8	51216-050*	5
8.9	7.3	X	3.7	6	9.8	51216-040*	4
6.9	X	X	3.7	4	7.8	51216-030*	3
4.9	X	X	2.2	2	5.8	51216-020*	2
F	E	D	C	B	A	MATERIAL NO.	CKT.

材料 MATERIAL	PBTP, UL94V-0
仕上げ FINISH	— / —
適用電線範囲 WIRE RANGE	— / —
被覆外径 INS. RANGE	— / —

THIS DRAWING CONTAINS INFORMATION THAT IS PROPRIETARY TO MOLEX ELECTRONIC TECHNOLOGIES, LLC AND SHOULD NOT BE USED WITHOUT WRITTEN PERMISSION

SCALE: DIMENSION UNITS: mm, NTS

GENERAL TOLERANCES (UNLESS SPECIFIED): ANGULAR TOL ± 3.0°

CURRENT REV DESC:

EC NO: 780302  
DRWN: PRADIK1 2024/03/15  
CHK'D: PRADIK1 2024/03/15  
APPR: ISHWARG 2024/03/21

INITIAL REVISION:  
DRWN: T.YASUI 2000/02/22  
APPR: M.FUKUSHIMA 2000/02/22

4 PLACES ±  
3 PLACES ±  
2 PLACES ± 0.2  
1 PLACE ± 0.2  
0 PLACES ± 0.2

DRAFT WHERE APPLICABLE MUST REMAIN WITHIN DIMENSIONS

THIRD ANGLE PROJECTION

DRAWING: A3-SIZE

SERIES: 51216

MATERIAL NUMBER: SEE TABLE

CUSTOMER: GENERAL MARKET

DOCUMENT NUMBER: SD-51216-004

DOC TYPE: PSD

DOC PART: 001

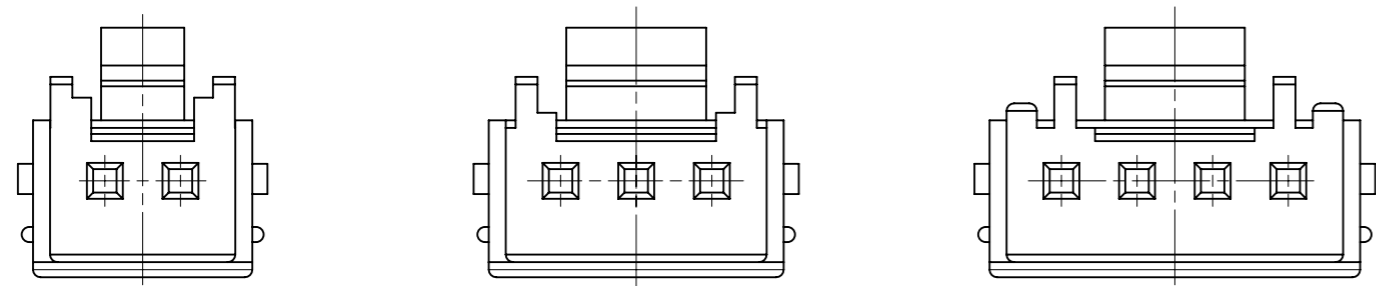
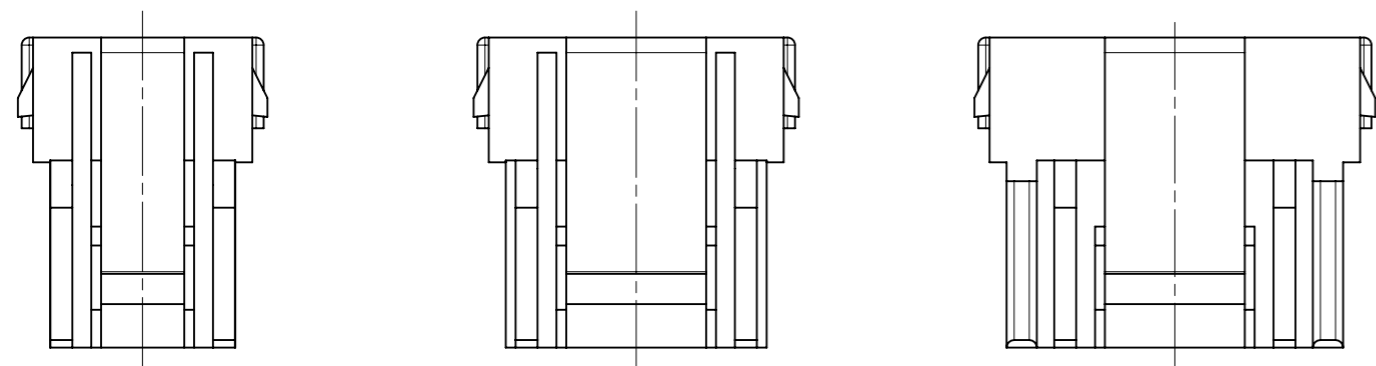
REVISION: D3

SHEET NUMBER: 1 OF 2

**molex**

2.0MM WIRE TO BOARD RECEPTACLE HOUSING

PRODUCT CUSTOMER DRAWING



2 CKTS.

3 CKTS.

4 CKTS.

極数レイアウト図  
LAYOUT OF EACH CKTS.

	白 WHITE	赤 RED	黄 YELLOW	青 BLUE	緑 GREEN						
	512161500										
	512161400										
	512161300										
	512161200										
	512161100										
	512161000										
	512160900										
	512160800										
	512160700										
	512160600										
	512160500	512160502									
	512160400		512160403								
	512160300										
	512160200		512160203	512160204	512160206						
R	MATERIAL NO.	R	MATERIAL NO.	R	MATERIAL NO.	R	MATERIAL NO.	R	MATERIAL NO.	R	MATERIAL NO.

THIS DRAWING CONTAINS INFORMATION THAT IS PROPRIETARY TO MOLEX ELECTRONIC TECHNOLOGIES, LLC AND SHOULD NOT BE USED WITHOUT WRITTEN PERMISSION																
DIMENSION UNITS		SCALE		CURRENT REV DESC:						<b>molex</b>						
mm		NTS														
GENERAL TOLERANCES (UNLESS SPECIFIED)				EC NO: 780302 DRWN: PRADIK1 2024/03/15 CHK'D: PRADIK1 2024/03/15 APPR: ISHWARG 2024/03/21 INITIAL REVISION: DRWN: T.YASUI 2000/02/22 APPR: M.FUKUSHIMA 2000/02/22						2.0MM WIRE TO BOARD RECEPTACLE HOUSING						
ANGULAR TOL ± 3.0°										PRODUCT CUSTOMER DRAWING						
4 PLACES ±										DOCUMENT NUMBER		DOC TYPE		DOC PART		REVISION
3 PLACES ±										SD-51216-004		PSD		001		D3
2 PLACES ± 0.2										MATERIAL NUMBER		CUSTOMER		SHEET NUMBER		
1 PLACE ± 0.2				SEE TABLE		GENERAL MARKET		2 OF 2								
0 PLACES ± 0.2																
DRAFT WHERE APPLICABLE MUST REMAIN WITHIN DIMENSIONS				THIRD ANGLE PROJECTION		DRAWING		SERIES		MATERIAL NUMBER						
						A3-SIZE		51216		SEE TABLE						