

# 产品承认书

## SPECIFICATION FOR APPROVAL

CUSTOMER:	
CUSTOMER P/N:	
CND-TEK P/N. :	G2426S
DESCRIPTION:	1000 BASE-T MAGNETICS MODULES
REF NO:	QTC-001
REV/NO:	V1.02
DATE:	2021/05/07

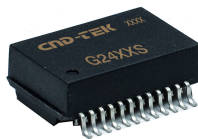
ATTACHMENT:
<input checked="" type="checkbox"/> SPECIFICATION
<input checked="" type="checkbox"/> SAMPLE    Q'TY OF SAMPLES    PCS

	√	CUSTOMER'S SIGNATURE	REMARK
FULL APPROVED			
CONDITIONAL APPROVED			
REJECTED			

# CND-TEK

## G2426S

### 1000 BASE-T MAGNETICS MODULES



V1.0.2  
May 7, 2021

---

**CND-TEK**

深圳磁联达电子有限公司

Shenzhen CND-TEK Electronics Co.,Ltd

公司地址: 深圳市南山区西丽镇街道百旺社区牛城村牛城路221号505

TEL: 86-755-29016433 FAX:86- 755-27652977

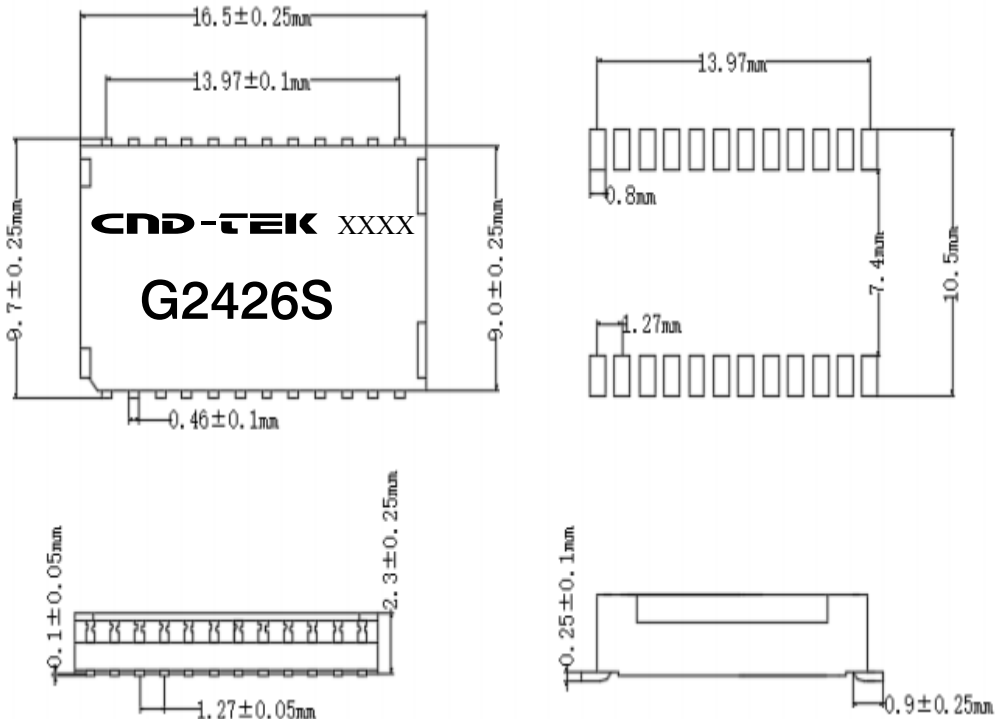
Email: sales2@cd-tek.com

Http: //www.cd-tek.com

## 1. FEATURES:

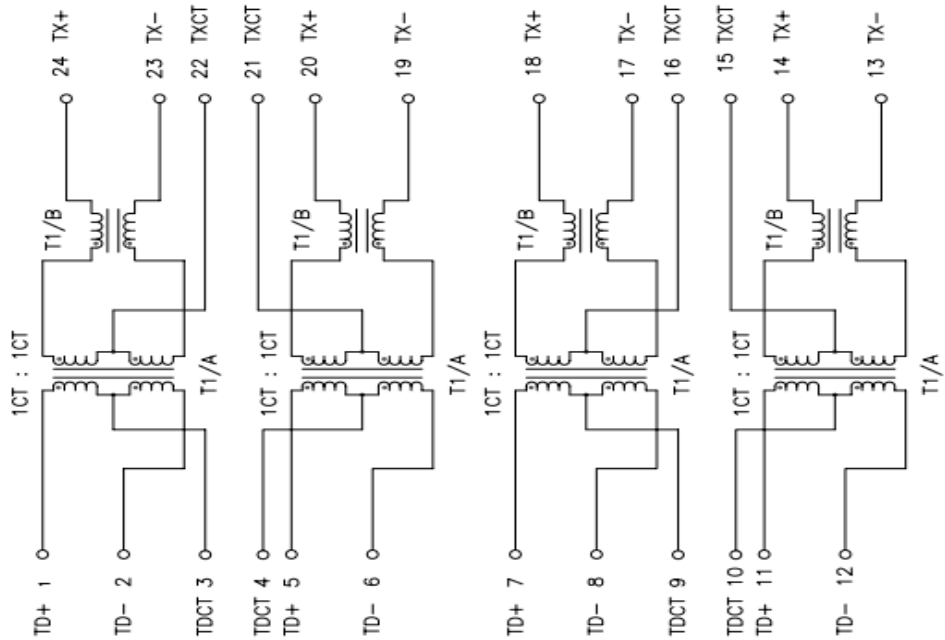
- 1.1 Designed for long haul Gigabit Ethernet 100/1000 Base-T, full duplex applications.
- 1.2 Supports four pairs of category 5 UTP cable, Cable interface for isolation and low common mode emissions.
- 1.3 Low profile Surface Mount Packaging designed for Hi-Temp Reflow Process
- 1.4 Compliant with IEEE 802.3ab standard for 1000 Base-T, Designed to support 1:1 Turns Ratio Transceivers.
- 1.5 Operating Temperature range:  $-40^{\circ}\text{C}$  TO  $+85^{\circ}\text{C}$
- 1.6 Storage temperature range:  $-40^{\circ}\text{C}$  TO  $+85^{\circ}\text{C}$

## 2. DIMENSIONS & MARKING



**Note:** 1、 Dimension:  
mm 2、 Unless otherwise specified, all tolerances are:

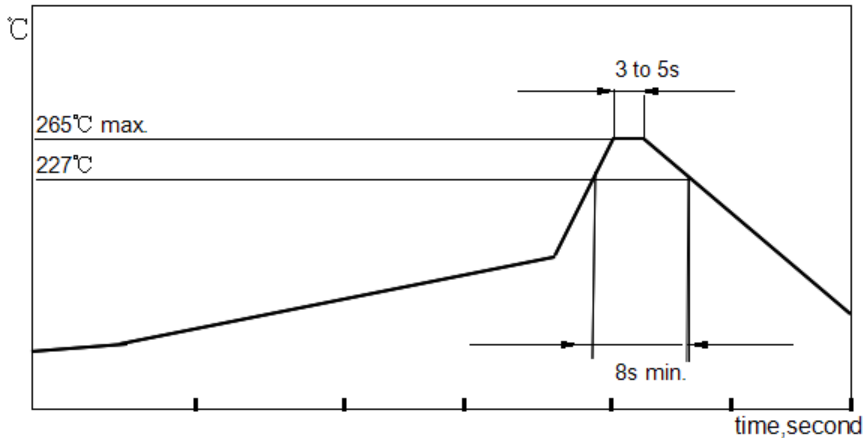
### 3. SCHEMATICS:



### 4. ELECTRICAL SPECIFICATIONS @25°C

- 4.1 OCL : 350  $\mu$ H Min. @ 100 KHz, 100mV with 8mA DC Bias
- 4.2 Leakage Inductance: 0.5  $\mu$ H Max. @ 100KHz, 0.2V
- 4.3 Cw/w: 30pF Max. @ 100KHz, 0.2V
- 4.4 DCR: 1.2 $\Omega$  Max.
- 4.5 Turns Ratio( $\pm$ 5%): 1CT:1CT(TX), 1CT:1CT(RX)
- 4.6 Polarity 1-24, 4-20, 7-18, 10-14In-Phase
- 4.7 Insertion Loss: -1.0 dB Max. @ 1-100MHz
- 4.8 Return Loss: -16 dB Min. @ 1-30MHz  
-12 dB Min. @ 30-60 MHz  
-10 dB Min. @ 60-80 MHz
- 4.9 Cross Talk: -42 dB Min. @ 1-60 MHz  
-35 dB Min. @ 60-100 MHz
- 4.10 Common Mode Rejection : -40 dB Min. @ 1-30 MHz  
-35dB Min. @ 60 MHz  
-30dB Min. @ 80-100 MHz
- 4.11 Isolation HI-POT: 1500Vrms 1mA 1Second

## 5. Recommended Lead Free IR Reflow Soldering Curve :



Item	Soldertechnique simulation	Temperature (°C)	Time(s)	Temperature ramp/immersion and emersion rate
1	Solder iron	350 ± 10 (solder irno temp)	4~5	
2	Vapor phase reflow	215 ± 5 (vapor temp)	60 ± 5	
3	IR/convection reflow	255 ± 5 (component temp)	30 ± 5	1°C/s~4°C/s time above 183°C 90s~120s

Note: The curve includes recommended value only, please adjust your equipment to make sure the solder process.Details please refers to the standard J-STD-020.

## 6. Reliability Test Criteria:

**6.1 Terminal strength:** Pull test withstand 9.8N 60+/-0.5S no looseness or movement.

**6.2 Solderbility:** Dipped in 245°C+/-5°C molten solder for 3+/-0.5 seconds,95% min shall be smooth any and bright.

**6.3 Resistance to soldering heat :** Convection reflow condition setting: peak temperature at 260°C+0/-5°C above 217°C for 90-180 seconds, ramp-up rate 2-3°C/s. Ramp-down rate 6°C/s Max. No mechanical problem found. No electrical failure found per our specification.

**6.4 Vibration:** 1.5mm amplitude total excursion 10-55-10 Hz traversed in 1minute, x.y.z, axis for 2 hours. Shall not be any abnormality.

**6.5 Random drop (Packing condition):** Height 60cm, 3 times on the wood floorboard ,shall not be any abnormality.

**6.6 Dry heat:** 100+/-2°C 96 hours.

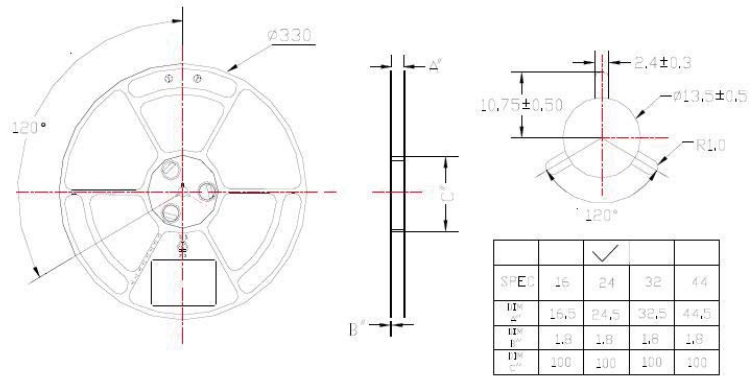
**6.7 Cold:** -20+/-2°C 96 hours.

**6.8 Damp Heat:** 60+/-2°C, 93+/-3% RH 96 hours.

**6.9 Change of temperature:** exposed 5 cycle; each consisting of 30 minutes at -20+/-2°C,2-3minutes at 20+/-2°C,30 minutes at 85+/-2°C, 2-3 minutes at 20+/-2°C.

# Packing Specification

1、 Each Reel Qty : 1100pcs/pkg



2、 Total unit transformer in carton:

$$1100 \times 5 \text{ (Total Reel in Carton)} = 5500\text{PCS}$$

