

6

5

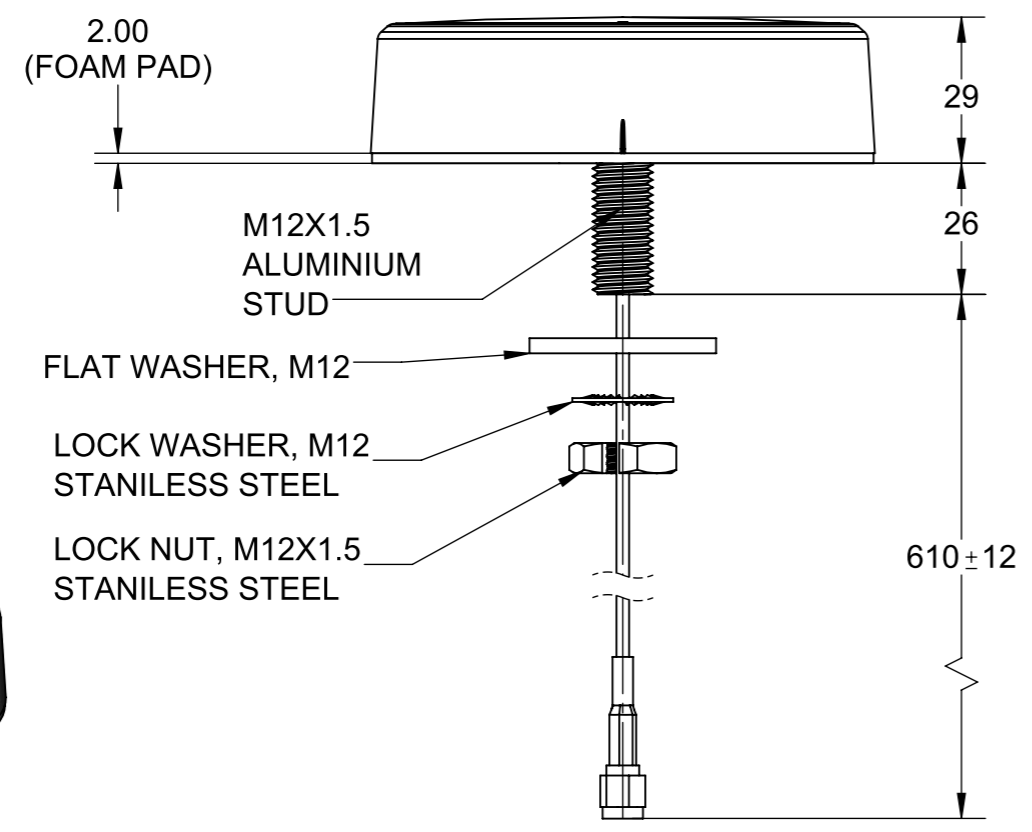
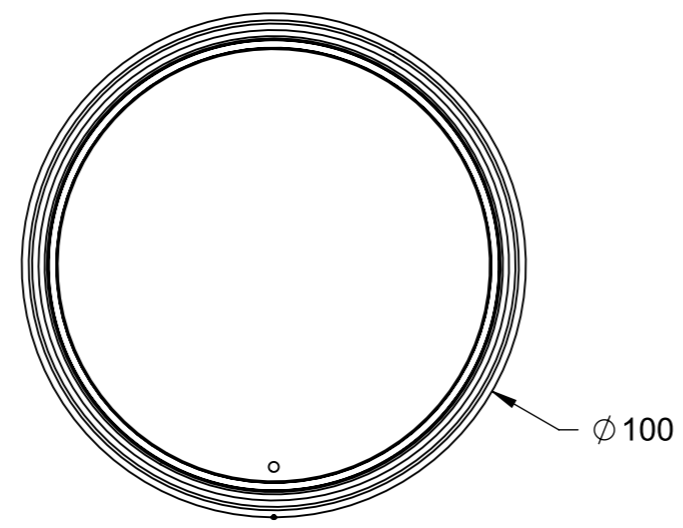
4

3

2

1

REVISIONS					
REV.	ECN#	ZONE	DESCRIPTION	CHANGED BY/DATE	APPROVED BY/DATE
F01	ECO-19-00409		INITIAL RELEASE	WT NG 01AUG19	WT NG 01AUG19



PARAMETER	SPECIFICATION							
Part No	LPS69863NT-61SMAM							
Ports	1							
Frequency Bands, MHz	698-806	824-894	880-960	1690-1880	1850-1990	1910-2180	2300-2500	2500-2700
Peak Gain, dBi (Max)	3.9	3.9	4.0	6.1	6.6	6.6	4.8	4.1
VSWR, Max	< 3:1							
Nominal Impedance, Ω	50							
Polarization	Linear - Vertical							
Azimuth Beam Width, °	360, Omnidirectional							
Max Power (Ambient 25°C/77°F), Watt	10							
Cable Length, cm/Connector	610/ SMA-male							
Antenna Dimension (Ht x Dia), mm	29 x Ø100							
Weight (Approximation), g	119							
Antenna Color	Black							
Radome	PC, UV Rated							
Operating Temperature, °C	-30 ~ +70							
Storage Temperature, °C	-40 ~ +85							
RoHS Compliance	Yes							

Note:
 -The antenna is ground dependent
 -The antenna works within the RF specification only when mounted on a metal sheet of minimum size of 1' X 1'.

THIS DRAWING IS UNPUBLISHED. RELEASED FOR PUBLICATION - , -
 © Copyright 2022 TE Connectivity Ltd. ALL RIGHTS RESERVED.

MATERIAL:		THIRD ANGLE PROJECTION			
FINISH:					
APPROVALS		DATE		TITLE:	
DRAWN BY	WT NG	25JUN18		LPS69863NT-61SMAM	
ELEC. ENG.	CC SU	25JUN18			
MECH. ENG.	WT NG	25JUN18			
MFG./OPS.	HE KHOR	25JUN18			
INTERPRET DIMENSIONING AND TOLERANCING IN ACCORDANCE WITH ASME Y14.5M-2009 TOLERANCES UNLESS OTHERWISE SPECIFIED DIMENSIONS ARE IN MILLIMETERS				SIZE: A3 DWG. NO. LPS69863NT-61SMAMMO REV F01	
ANGLE: ±30' 0 PLACE DECIMAL: ±0.5 1 PLACE DECIMAL: ±0.25 2 PLACE DECIMAL: ±0.13 SURFACE ROUGHNESS 1.6/√				SCALE: 2:3 PREVIOUS# SHEET 1 OF 1	

6

5

4

3

2

1