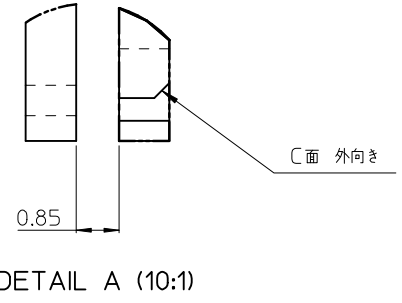
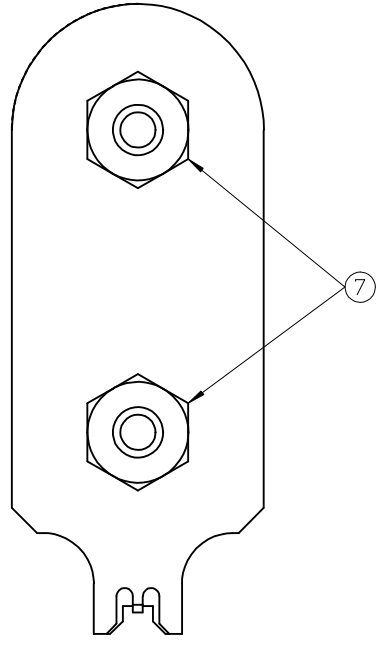
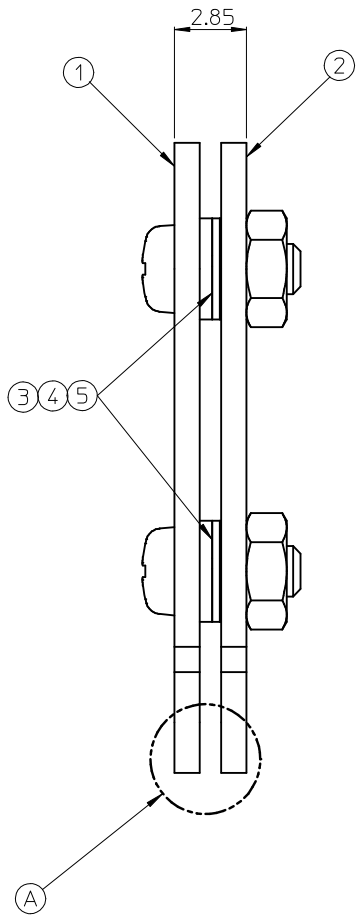
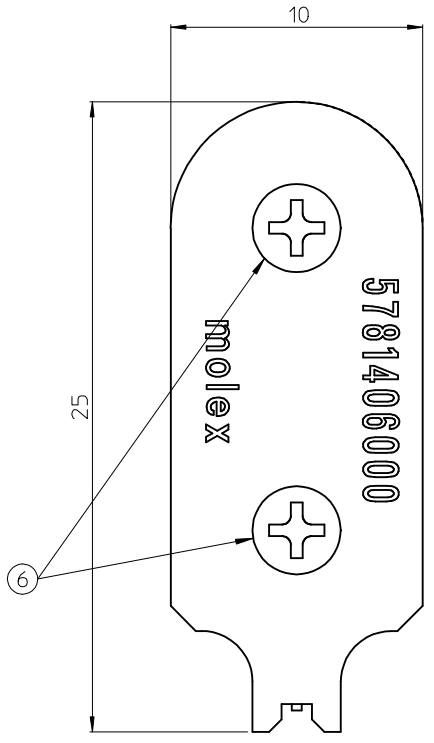


10 9 8 7 6 5 4 3 2 1

PARTS LIST				
No.	PART No.	QTY	PART NAME	DESCRIPTION
1	5781401601	1	GUIDE A	
2	5781401602	1	GUIDE B	
3	5781400601	2	SHIM	CIMRS4-2-0.05 (ミスミ)
4	5781400602	2	SHIM	CIMRS4-2-0.3 (ミスミ)
5	5781400603	2	SHIM	CIMRS4-2-0.5 (ミスミ)
6	5781400604	2	M2 L=5 ナベネジ	BKJ2-5 (ミスミ)
7	5781400605	2	M2 ナット	LBNR2 (ミスミ)
8				
9				
10				



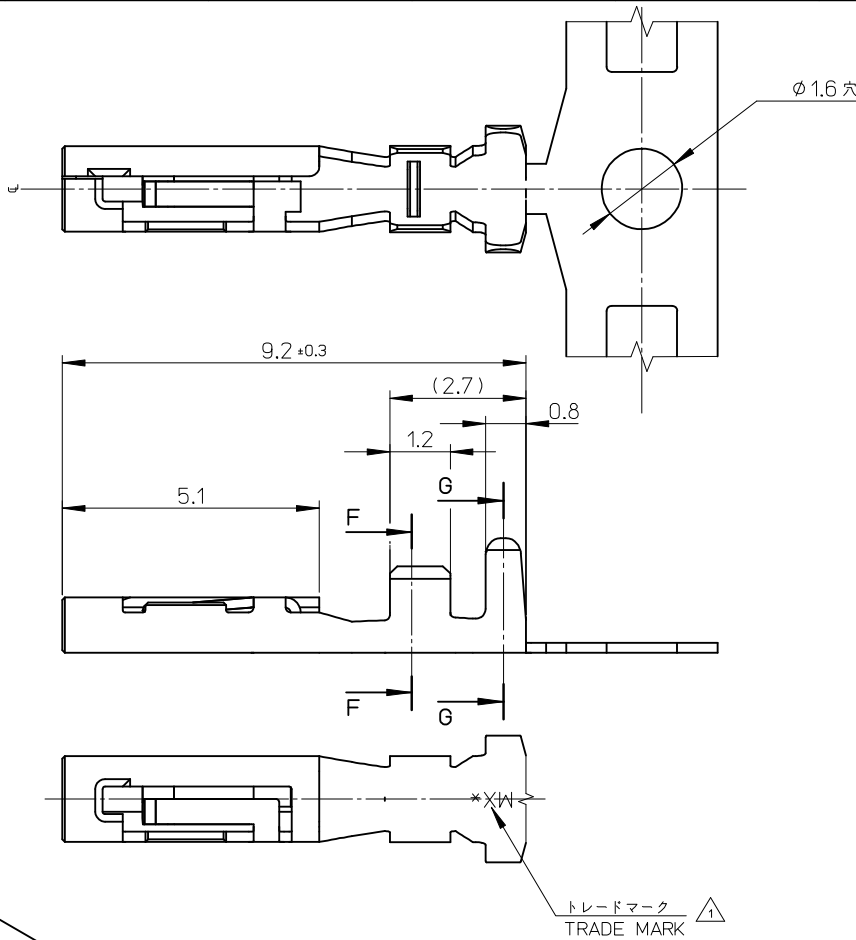
製作ロット数 : 10個

RELEASED  
JT2014-0033  
A  
DRAWN BY: MOOSAWA  
CHK BY: MOOSAWA  
APPR BY: KUMEMOTO  
REV. REL. DATE: 2014/05/21

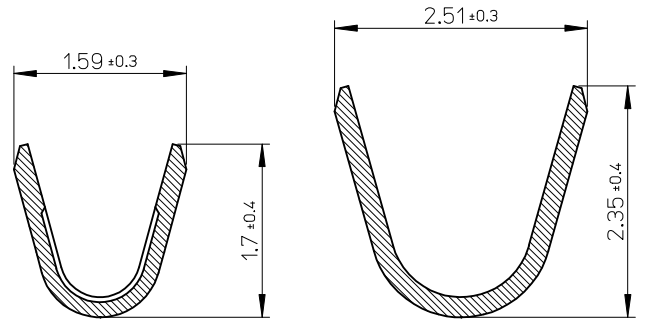
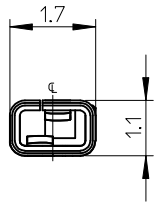
※梱包は、個別梱包の事

GENERAL TOLERANCES (UNLESS SPECIFIED) ANGULAR TOLERANCE ± 1°			DET. _____ QTY. _____	<b>molex</b> THIS DRAWING CONTAINS INFORMATION THAT IS PROPRIETARY TO MOLEX. INCORPORATED AND SHOULD NOT BE USED WITHOUT WRITTEN PERMISSION.		
DESIGNED IN METRIC UNITS			MATERIAL _____			
TOL'S	MM	INCH	DRAWN BY & DATE MOOSAWA 2014/05/12	FINISH _____	HEAT TREAT _____ HR.	REVISE ON CAD ONLY
4 PLACES	±	±	CHECKED BY & DATE MOOSAWA	SCALE 5:1		
3 PLACES	±0.005	±	APPROVED BY & DATE KUMEMOTO 2014/05/21	PIND. _____	FILE TYPE SD_DRAWING	MATERIAL NO. _____
2 PLACES	±0.05	±			DRW SIZE A3	DESIGN FILE NO. 5781406000.jm
1 PLACE	±0.1	±	THIRD ANGLE PROJECTION		TQCL LD.	DOCUMENT NO. 5781406000
						SERIES NO. 5781406000
						SEC.SHT. NO. 1 of 1

9 8 7 6 5 4 3 2 1

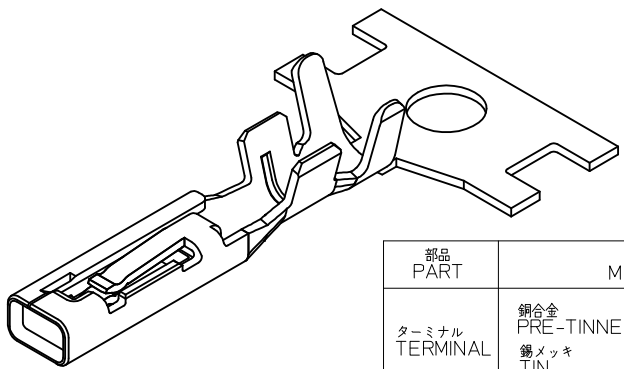


NOTES:  
 1. トレードマーク：MXプラス1文字の製造工場を示すアルファベットにて表示。  
 但し、"J"はJAPANを示す。(例 MXJ)  
 FORMED BY MX AND 1 MORE LETTER OF ALPHABET  
 WHICH MEAN THE MANUFACTORY.  
 BUT "J" MEANS JAPAN. (TO TRADE MARK)(e.g. MXJ)  
 2. 嵌合相手：5050710101  
 MATE WITH: 5050710101  
 3. ELVおよびRoHS適合品  
 ELV AND RoHS COMPLIANT.



SECTION F-F  
SCALE 20:1

SECTION G-G  
SCALE 20:1



トレードマーク TRADE MARK

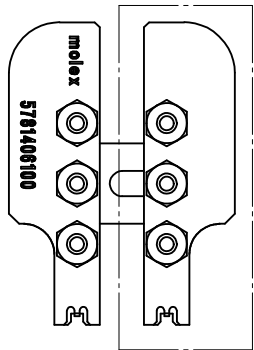
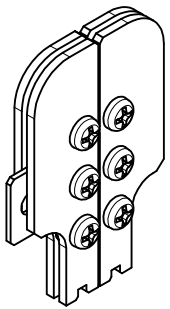
5050730100	バラ状 LOOSE	505073
5050731100	連鎖状 CHAIN	
オーダー番号 ORDER No.	端子形状 FORM	CONNECTOR SERIES No.

部品 PART	材質 ② MATERIAL
ターミナル TERMINAL	銅合金 PRE-TINNED COPPER ALLOY 錫メッキ TIN ニッケルメッキ(下地) NICKEL UNDER PLATING
適用電線範囲 WIRE RANGE	絶縁被覆外径 INSURATION RANGE
AWG:#22~#26 MM <sup>2</sup> :0.126~0.34	φ0.9~φ1.7

REVISED EC NO.: J2015-1502 DRWN: TOKAMOTO02 2015/05/13 CHKD: AMIZUMURA 2015/05/15 APPR: MYAGI 2015/05/22	GENERAL TOLERANCES (UNLESS SPECIFIED)	
	0.25 UNDER	±0.03
	0.25 OVER 0.5 UNDER	±0.05
	0.5 OVER 1.0 UNDER	±0.1
	1.0 OVER 10 UNDER	±0.2
30 OVER	±0.25	
30 OVER	±0.3	
ANGULAR	±1 °	
DRAFT WHERE APPLICABLE MUST REMAIN WITHIN DIMENSIONS		

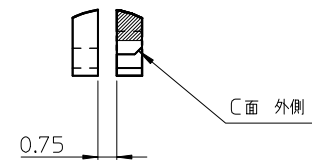
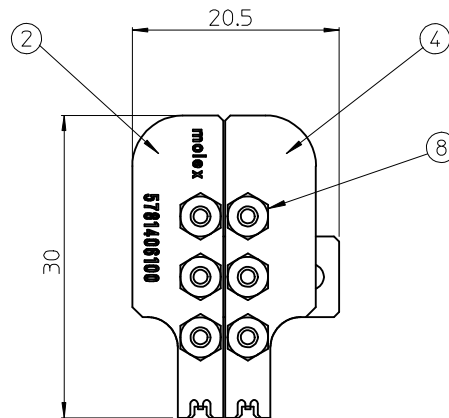
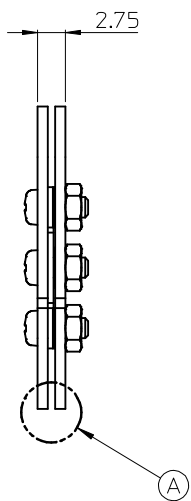
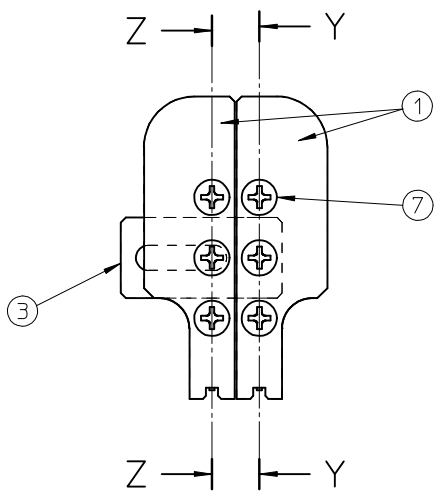
DIMENSION STYLE MM ONLY	
DRAWN BY HTONEGAWA	DATE 2013/10/31
CHECKED BY TNIITSU	DATE 2013/10/31
APPROVED BY MYAGI	DATE 2014/01/09
MATERIAL NO. SEE CHART	
SIZE A3	THIS DRAWING CONTAINS INFORMATION THAT IS PROPRIETARY TO MOLEX INCORPORATED AND SHOULD NOT BE USED WITHOUT WRITTEN PERMISSION

SCALE 10:1	DESIGN UNITS METRIC	THIRD ANGLE PROJECTION
TITLE 1CKT. LED CONN. W/B RECEPTACLE H=1.2		
DOCUMENT NO. SD-505073-001		SHEET NO. 1 OF 1



※スムーズに動く事

PARTS LIST				
No.	PART No.	QTY	PART NAME	DESCRIPTION
1	5781401611	2	GUIDE A	
2	5781401612	1	GUIDE B	
3	5781401613	1	GUIDE PLATE	
4	5781401614	1	GUIDE C	
5	5781400601	4	SHIM	CIMRS4-2-0.05 (ミスミ)
6	5781400603	4	SHIM	CIMRS4-2-0.5 (ミスミ)
7	5781400604	6	M2 L=5 ナベネジ	BKJ2-5 (ミスミ)
8	5781400605	6	M2 ナット	LBNR2 (ミスミ)
9	5781400611	2	SHIM	CIMRS4-2-0.1 (ミスミ)
10	5781400612	4	SHIM	CIMRS4-2-0.2 (ミスミ)

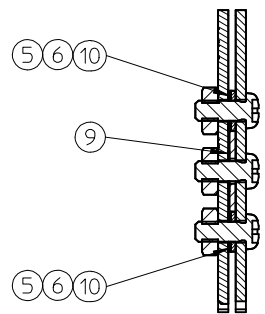


DETAIL A (5:1)

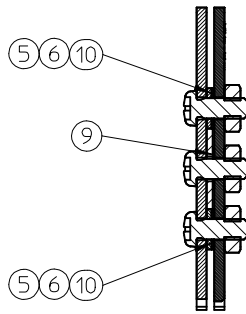
製作ロット数：10set

※梱包は個別梱包の事

RELEASED  
JT2014-0033  
A  
DRAWN BY: MOOSAWA  
CHK BY: MOOSAWA  
APPR BY: KUMEMOTO  
REV. REL. DATE: 2014/05/21



SECTION Z-Z



SECTION Y-Y

GENERAL TOLERANCES (UNLESS SPECIFIED)			DET. _____ QTY. _____		<b>molex</b>
ANGULAR TOLERANCE ± 1°			MATERIAL _____		
DESIGNED IN METRIC UNITS			FINISH _____		THIS DRAWING CONTAINS INFORMATION THAT IS PROPRIETARY TO MOLEX. INCORPORATED AND SHOULD NOT BE USED WITHOUT WRITTEN PERMISSION
TOL'S			HEAT TREAT HRC _____		
4 PLACES	±	±	DRAWN BY & DATE MOOSAWA 2014/05/12		REVISE ON CAD ONLY
3 PLACES	±0.005	±	CHECKED BY & DATE MOOSAWA		SCALE 2:1
2 PLACES	±0.05	±	APPROVED BY & DATE KUMEMOTO 2014/05/21		FILE TYPE SD_DRAWING
1 PLACE	±0.1	±	THIRD ANGLE PROJECTION		MATERIAL NO. _____
			DRW SIZE A3		DESIGN FILE NO. 5781406100.jm
			TQCL LD. _____		SERIES NO. _____
			DOCUMENT NO. 5781406100		SEC.SHT. NO. 1 of 1