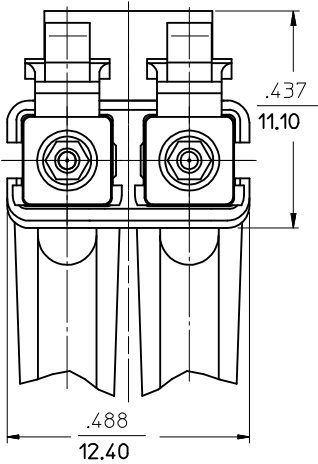
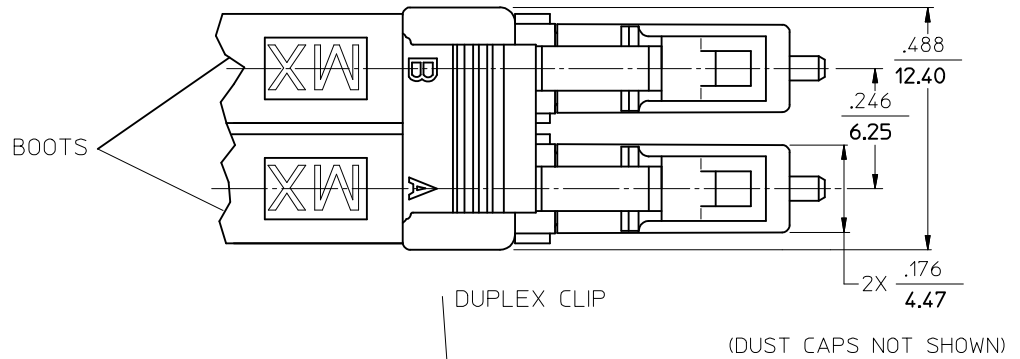
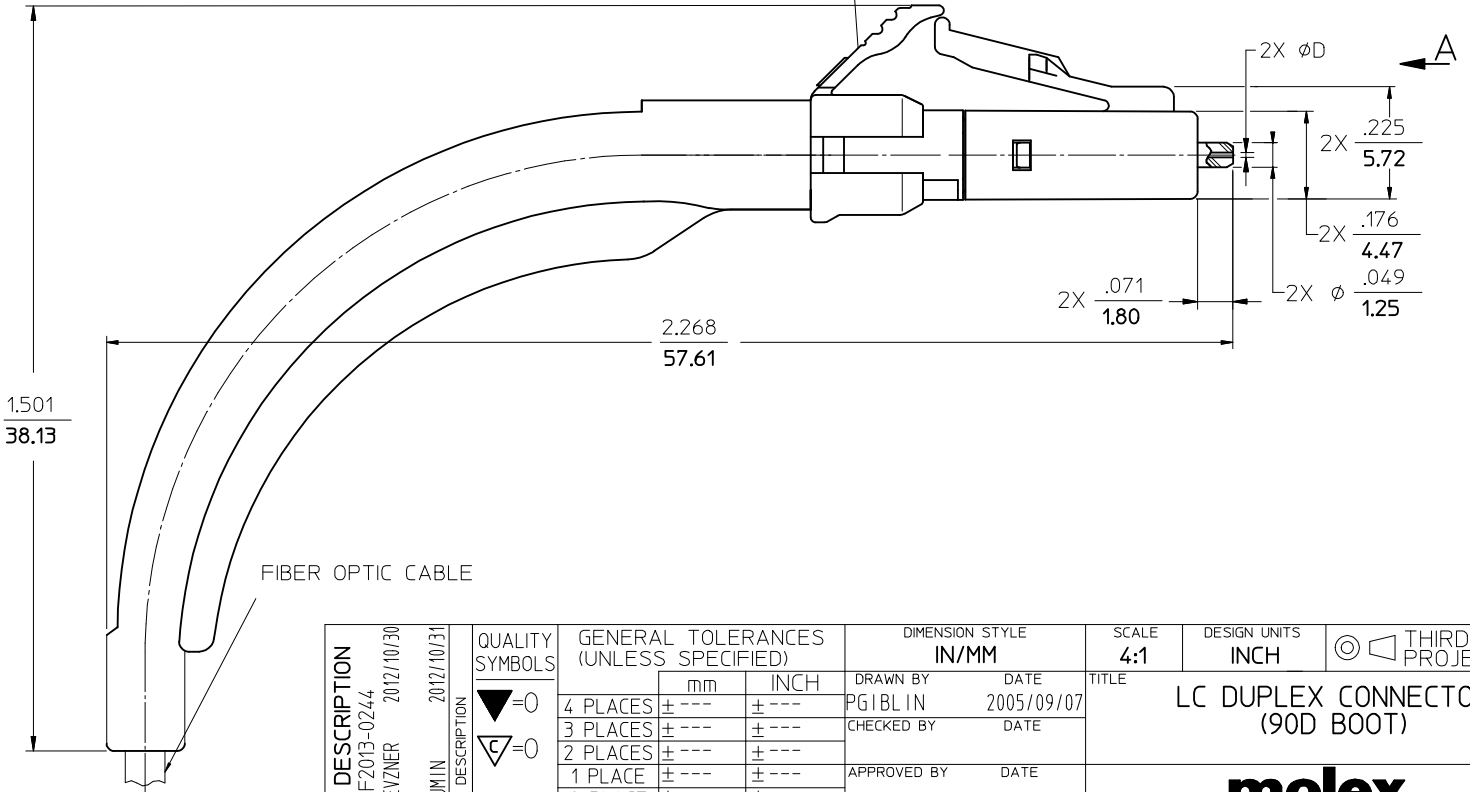


CONNECTOR P/N	ØD (µm)	CONNECTOR BODY COLOR	BOOT COLOR	CABLE Ø (mm)	CABLE TYPE
106025-2400	125.50	BLUE	WHITE	1.6	SINGLE MODE
106025-2600				2.0	
106025-3400				1.6	
106025-3600	2.0	MULTIMODE			
106025-4400	125.00			BLUE	1.6
106025-4600					2.0
106025-5400		1.6			
106025-5600	126.00	BLUE	2.0		SINGLE MODE
106025-6400			1.6		
106025-6600			2.0		



VIEW A



NOTES:
 1. DUPLEX CLIP AND BOOTS SHOULD BE ASSEMBLED AFTER POLISHING OPERATION.

ENTER DESCRIPTION EC NO: MF2013-0244 DR: MANKPEVNER 2012/10/30 CHKD: APPR: IGUMIN 2012/10/31 REV A1	QUALITY SYMBOLS ▽=0 ▽=0	GENERAL TOLERANCES (UNLESS SPECIFIED) <table border="1"> <thead> <tr> <th></th> <th>mm</th> <th>INCH</th> </tr> </thead> <tbody> <tr> <td>4 PLACES</td> <td>± .010</td> <td>± .0004</td> </tr> <tr> <td>3 PLACES</td> <td>± .015</td> <td>± .0006</td> </tr> <tr> <td>2 PLACES</td> <td>± .020</td> <td>± .0008</td> </tr> <tr> <td>1 PLACE</td> <td>± .030</td> <td>± .0012</td> </tr> <tr> <td>0 PLACE</td> <td>± .040</td> <td>± .0015</td> </tr> </tbody> </table>		mm	INCH	4 PLACES	± .010	± .0004	3 PLACES	± .015	± .0006	2 PLACES	± .020	± .0008	1 PLACE	± .030	± .0012	0 PLACE	± .040	± .0015	DIMENSION STYLE IN/MM	SCALE 4:1	DESIGN UNITS INCH	THIRD ANGLE PROJECTION
		mm	INCH																					
	4 PLACES	± .010	± .0004																					
	3 PLACES	± .015	± .0006																					
2 PLACES	± .020	± .0008																						
1 PLACE	± .030	± .0012																						
0 PLACE	± .040	± .0015																						
DRAFT WHERE APPLICABLE MUST REMAIN WITHIN DIMENSIONS		DRAWN BY PGIBLIN	DATE 2005/09/07	TITLE LC DUPLEX CONNECTOR (90D BOOT)																				
MATERIAL NO. SEE TABLE		APPROVED BY DATE		DOCUMENT NO. SD-1060EE-EEEE																				
SIZE B		THIS DRAWING CONTAINS INFORMATION THAT IS PROPRIETARY TO MOLEX INCORPORATED AND SHOULD NOT BE USED WITHOUT WRITTEN PERMISSION																						