

MATERIALS AND FINISHES:

BODY: ZINC
PLATED: NICKEL

CENTER CONTACT: PHOSPOR BRONZE
PLATED: GOLD

OUTER CONTACT: BERYLLIUM COPPER
PLATED: NICKEL

CRIMP TUBE: BRASS
PLATED: NICKEL

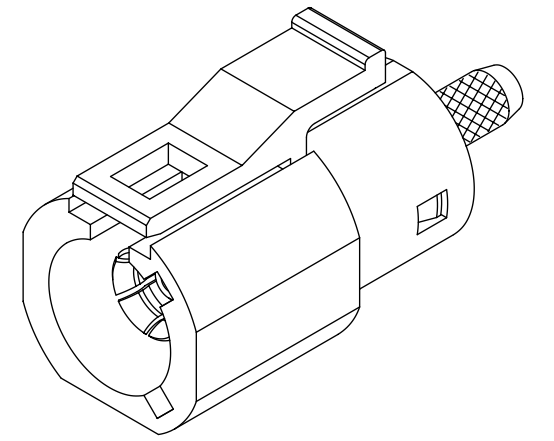
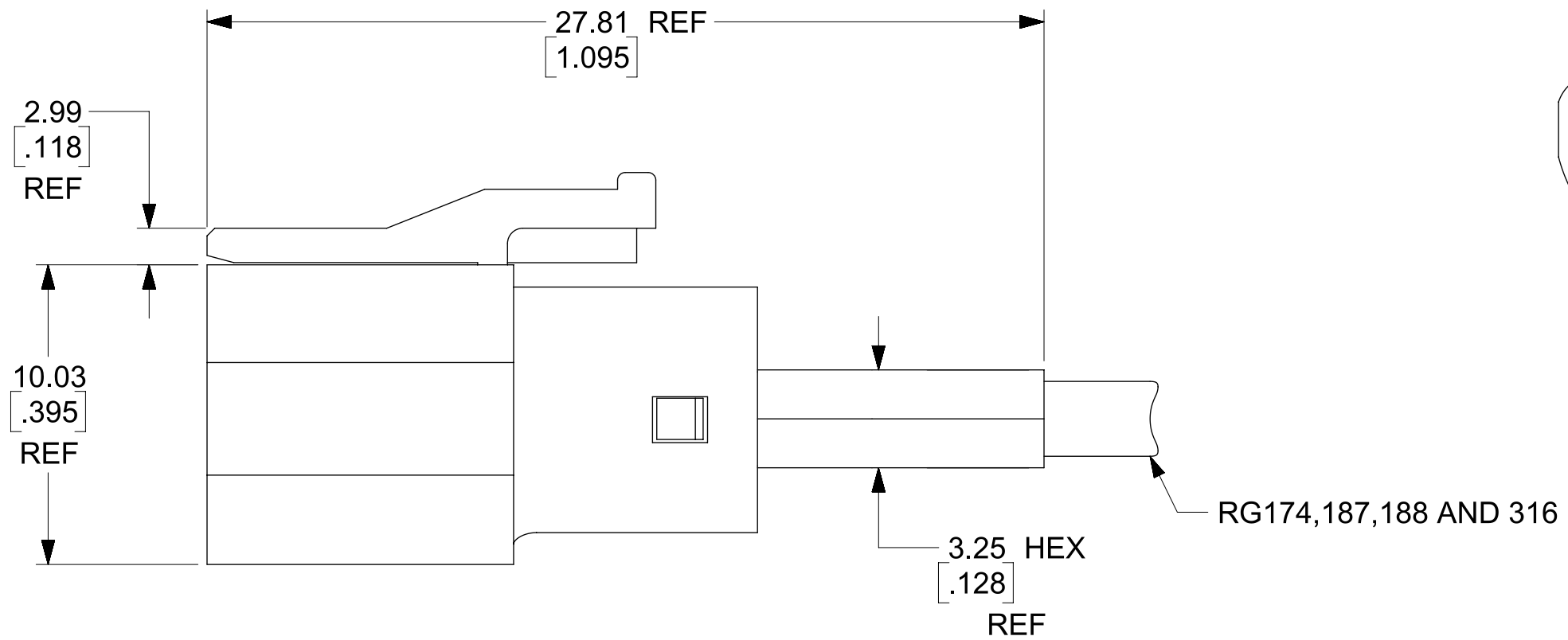
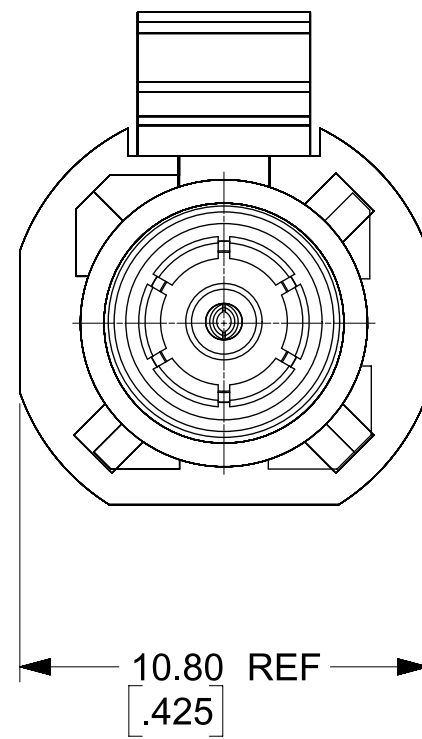
OUTER CASING: NYLON
KEYING: SEE TABLE
COLOR: SEE TABLE

INSULATOR: PTFE

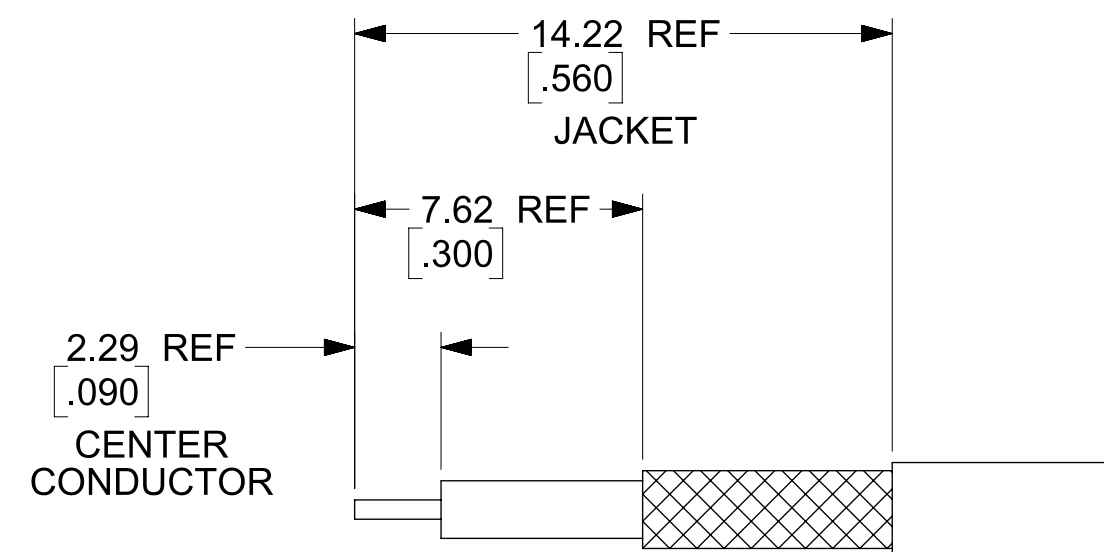
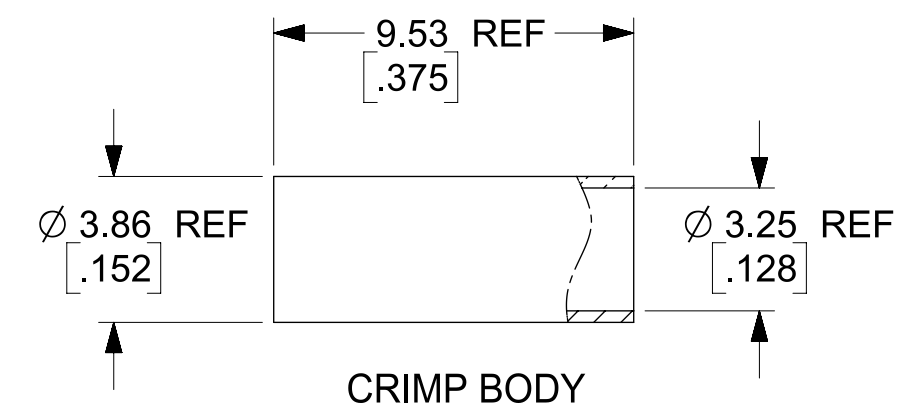
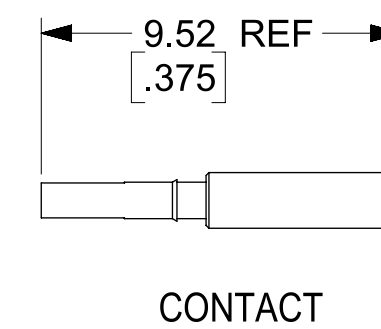
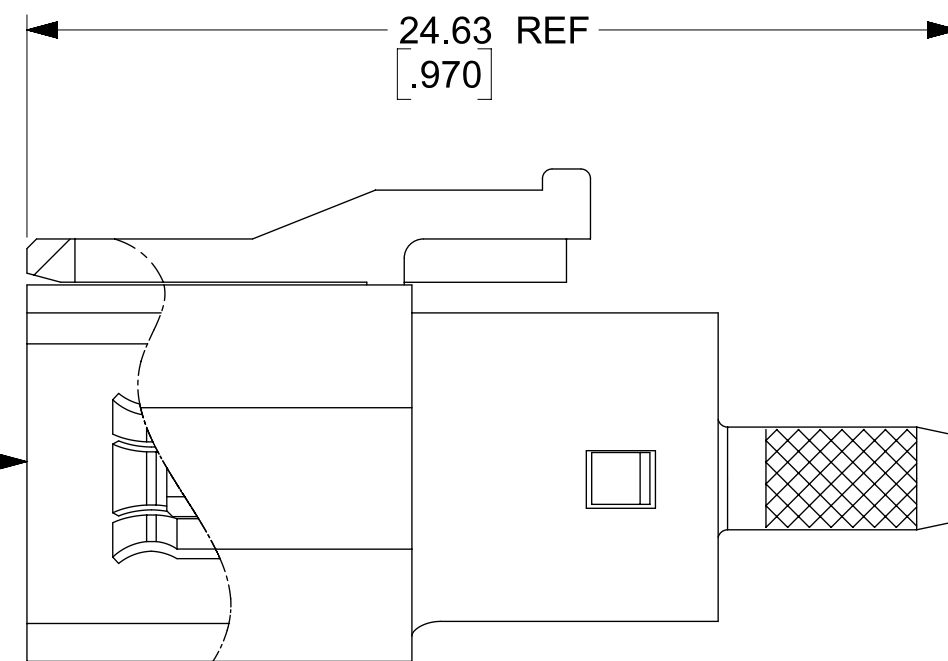
CABLE: RG174, 188, & 316

RETENTION SPECIFICATION:

THE SHROUD WILL WITHSTAND A
LONGITUDINAL FORCE OF 24.73 POUNDS (110N)



FAKRA
CONNECTOR
KEYING
CODE D SHOWN



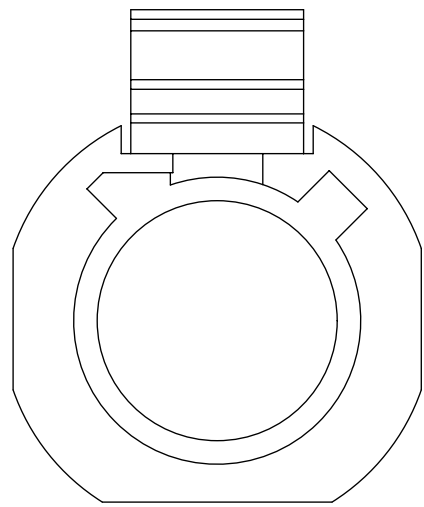
SUGGESTED STRIP DIMENSIONS

OBSOLETE

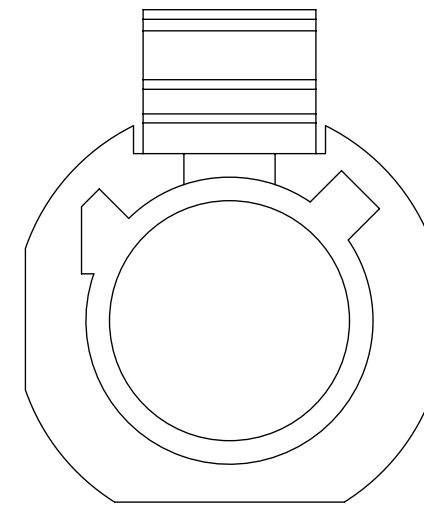
PART # SEE SHEET 2

PS-89675-331	PRODUCT SPECIFICATION
DIN 72594-1	INTERFACE SPECIFICATION
SPECIFICATION	DESCRIPTION

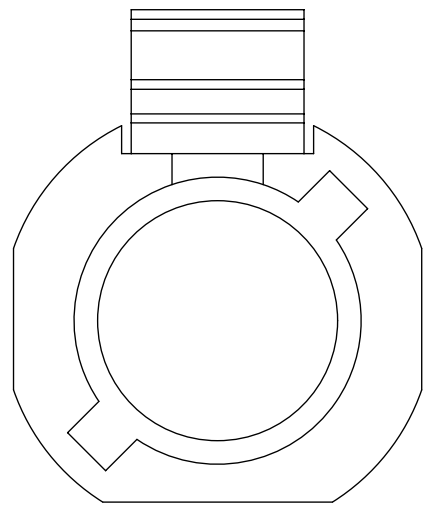
<p>QUALITY SYMBOLS</p> <p>▽ = 0</p> <p>▽ = 0</p> <p>▽ = 0</p> <p>▽ = 0</p> <p>▽ = 0</p> <p>▽ = 0</p> <p>▽ = 0</p> <p>▽ = 0</p> <p>▽ = 0</p> <p>▽ = 0</p>	<p>THIS DRAWING CONTAINS INFORMATION THAT IS PROPRIETARY TO MOLEX ELECTRONIC TECHNOLOGIES, LLC AND SHOULD NOT BE USED WITHOUT WRITTEN PERMISSION</p>	<p>2017/10/09</p> <p>DRWN: BBHARADWAJD</p>	<p>2017/11/14</p> <p>CHKD: BBHARADWAJD</p>	<p>2017/11/14</p> <p>REVISION: AROBERTSON</p>	<p>GENERAL TOLERANCES (UNLESS SPECIFIED)</p> <table border="1"> <tr> <th></th> <th>MM</th> <th>INCH</th> </tr> <tr> <td>4 PLACES</td> <td>±</td> <td>±</td> </tr> <tr> <td>3 PLACES</td> <td>±</td> <td>± 0.01</td> </tr> <tr> <td>2 PLACES</td> <td>± 0.25</td> <td>±</td> </tr> <tr> <td>1 PLACES</td> <td>±</td> <td>±</td> </tr> <tr> <td>0 PLACES</td> <td>±</td> <td>±</td> </tr> </table>		MM	INCH	4 PLACES	±	±	3 PLACES	±	± 0.01	2 PLACES	± 0.25	±	1 PLACES	±	±	0 PLACES	±	±	<p>DIMENSION UNITS: MM</p> <p>SCALE: DRWN BY DATE</p> <p>BBHARADWAJD 2017/10/13</p>	<p>molex</p> <p>SMB PLUG, FAKRA</p> <p>RG174,187,188,316 CABLE, SMB-JC, EWR-11422</p>
			MM	INCH																					
		4 PLACES	±	±																					
		3 PLACES	±	± 0.01																					
2 PLACES	± 0.25	±																							
1 PLACES	±	±																							
0 PLACES	±	±																							
<p>ANGULAR TOL ± 2.0</p>	<p>CHK'D BY DATE</p> <p>SSHAN 2004/09/23</p>	<p>PRODUCT CUSTOMER DRAWING</p>																							
<p>DRAFT WHERE APPLICABLE MUST REMAIN WITHIN DIMENSIONS</p>	<p>APPR BY DATE</p> <p>JWIENER 2004/09/24</p>																								
<p>SEE ECM</p> <p>EC NO: 123281</p> <p>DRWN: BBHARADWAJD</p> <p>CHKD: BBHARADWAJD</p> <p>REV: APPR: AROBERTSON</p>	<p>DRAWING SIZE: C</p> <p>THIRD ANGLE PROJECTION</p>	<p>SERIES: 73415</p> <p>MATERIAL NUMBER: SEE TABLE</p> <p>CUSTOMER:</p>																							
<p>RELEASE STATUS: P1</p> <p>RELEASE DATE: 14.11.2017 15:37:42</p>	<p>B5</p>	<p>DOCUMENT NUMBER: SD-73415-291</p> <p>DOC TYPE: PSD</p> <p>DOC PART: 001</p> <p>SHEET NUMBER: 1 OF 3</p>																							



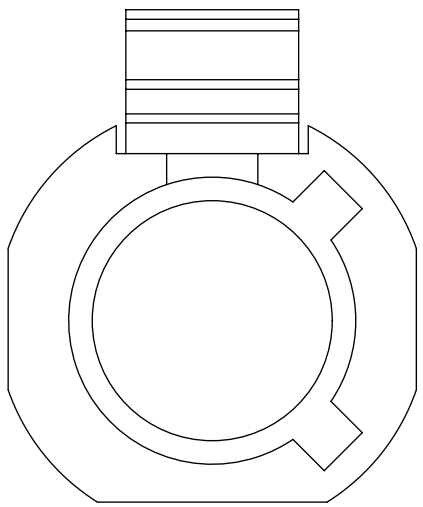
CODE - A



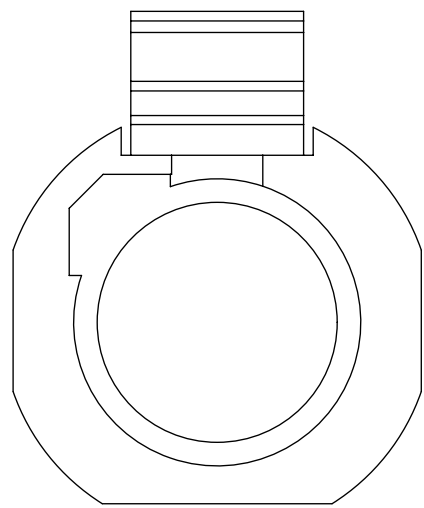
CODE - B



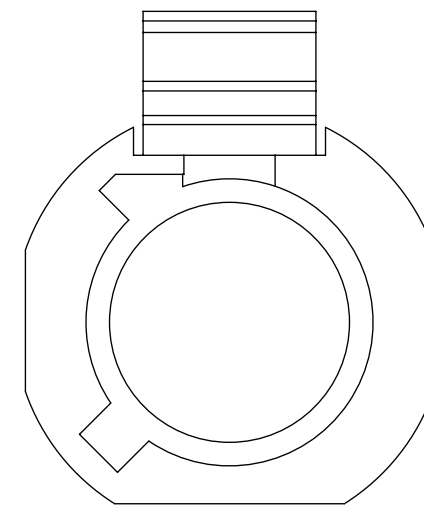
CODE - C



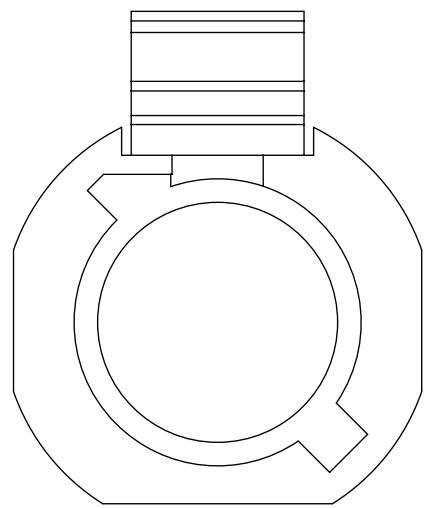
CODE - D



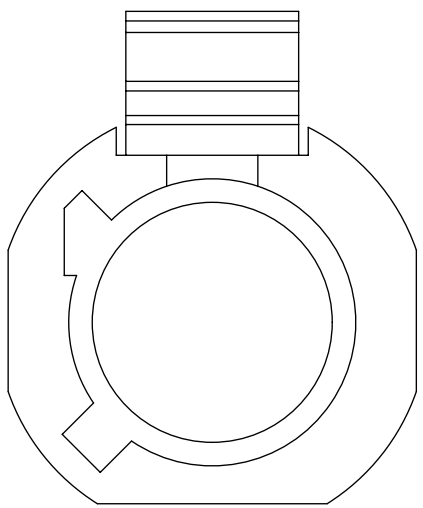
CODE - E



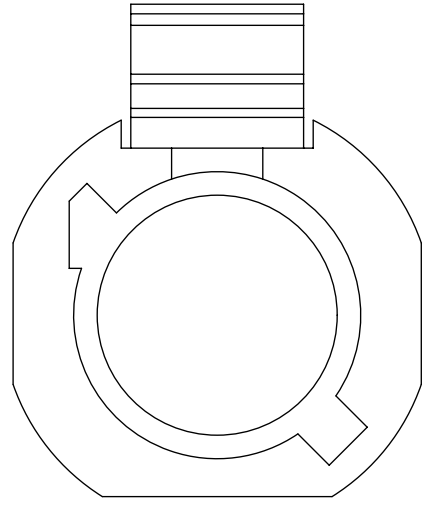
CODE - F



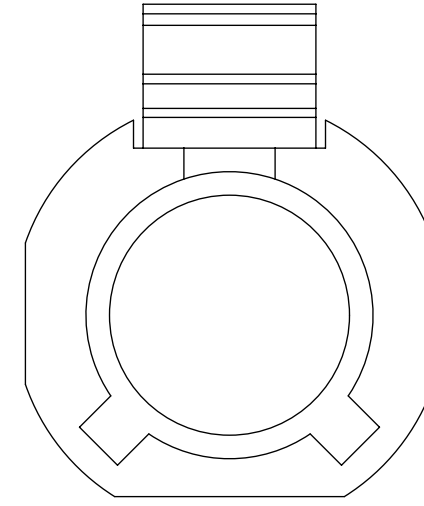
CODE - G



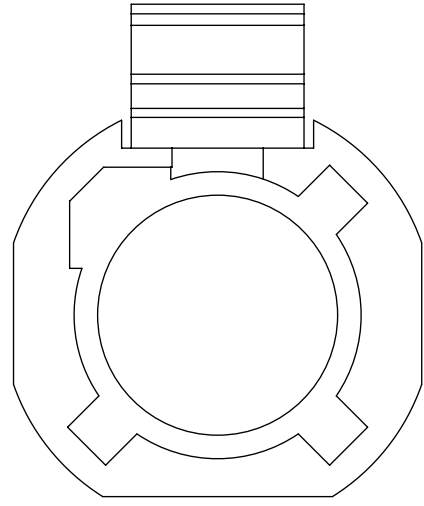
CODE - H



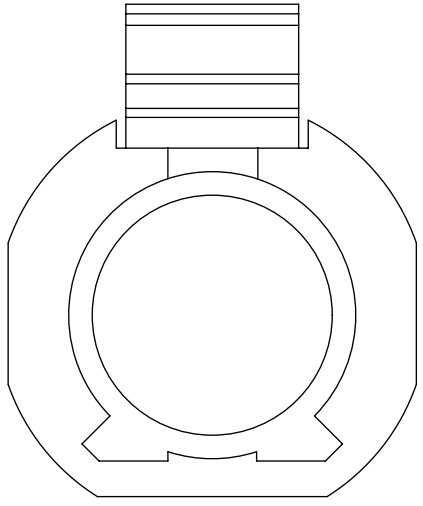
CODE - I



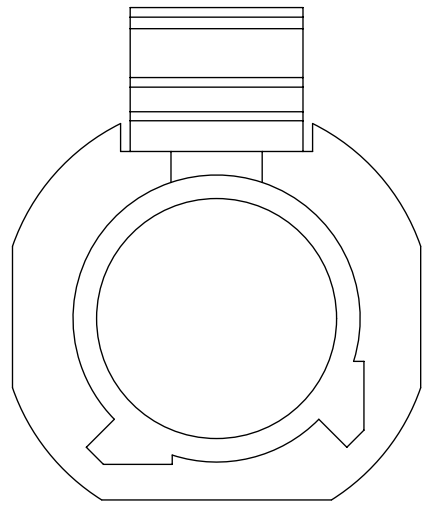
CODE - K



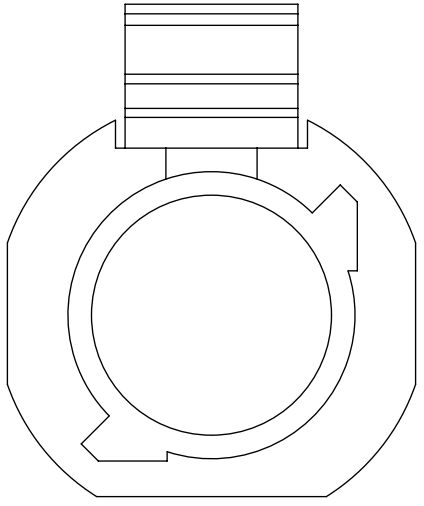
CODE - Z



CODE - L



CODE - M



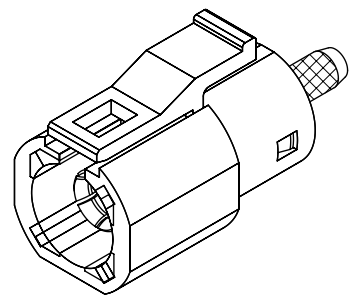
CODE - N

N	PASTEL GREEN	73415-2923
M	PASTEL ORANGE	73415-2922
L	CARMINE RED	73415-2921
Z	WATER BLUE	73415-2920
K	CURRY YELLOW	73415-2919
I	BEIGE	73415-2918
H	VIOLET	73415-2917
G	GRAY	73415-2916
F	BROWN	73415-2915
E	GREEN	73415-2914
D	BORDEAUXVIOLET	73415-2913
C	BLUE	73415-2912
B	CREAM WHITE	73415-2911
A	BLACK	73415-2910
KEYING CODE	COLOR	PART NO.

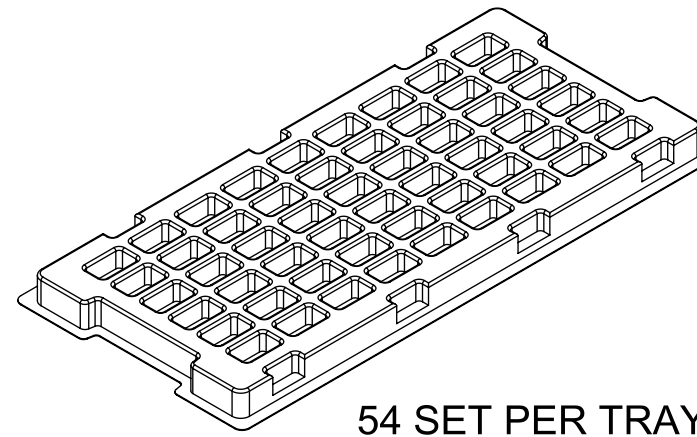
OBSOLETE
OBSOLETE
OBSOLETE
OBSOLETE
OBSOLETE
OBSOLETE
OBSOLETE
OBSOLETE
OBSOLETE
OBSOLETE
OBSOLETE
OBSOLETE
OBSOLETE

SEE SHEET 3 FOR REPLACEMENT PART NUMBERS

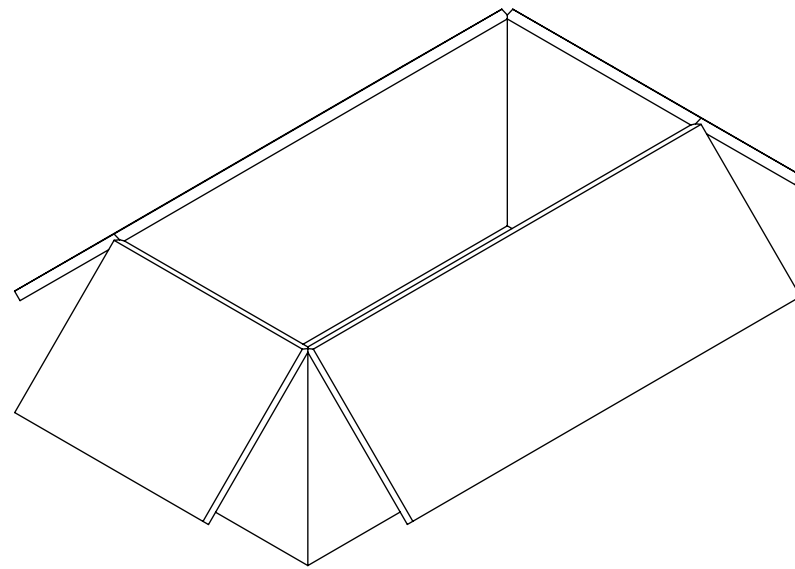
QUALITY SYMBOLS ▽ = 0 ▽ = 0 ▽ = 0 ▽ = 0 ▽ = 0 ▽ = 0 ▽ = 0 ▽ = 0 ▽ = 0 ▽ = 0	THIS DRAWING CONTAINS INFORMATION THAT IS PROPRIETARY TO MOLEX ELECTRONIC TECHNOLOGIES, LLC AND SHOULD NOT BE USED WITHOUT WRITTEN PERMISSION		DIMENSION UNITS MM		SCALE				
	GENERAL TOLERANCES (UNLESS SPECIFIED)		DRWN BY BBHARADWAJD		DATE 2017/10/13				
	4 PLACES ± ±		CHK'D BY SSHAH		DATE 2004/09/23		PRODUCT CUSTOMER DRAWING		
	3 PLACES ± ± 0.01		APPR BY JWIENER		DATE 2004/09/24				
	2 PLACES ± 0.25 ±		DRAWING SIZE C		THIRD ANGLE PROJECTION		DOCUMENT NUMBER: SD-73415-291 DOC TYPE: PSD DOC PART: 001 SHEET NUMBER: 2 OF 3		
	1 PLACES ± ±		ANGULAR TOL ± 2.0		DRAFT WHERE APPLICABLE MUST REMAIN WITHIN DIMENSIONS				
	0 PLACES ± ±		SEE ECM		DIMENSION UNITS INCH		EC NO: 123281 DRWN: BBHARADWAJD CHKD: BBHARADWAJD REV / APPR: AROBERTSON		
	SEE ECM		DIMENSION UNITS MM		DIMENSION UNITS INCH				
	SEE ECM		DIMENSION UNITS INCH		DIMENSION UNITS INCH		EC NO: 123281 DRWN: BBHARADWAJD CHKD: BBHARADWAJD REV / APPR: AROBERTSON		
	SEE ECM		DIMENSION UNITS INCH		DIMENSION UNITS INCH				
SEE ECM		DIMENSION UNITS INCH		DIMENSION UNITS INCH		EC NO: 123281 DRWN: BBHARADWAJD CHKD: BBHARADWAJD REV / APPR: AROBERTSON			



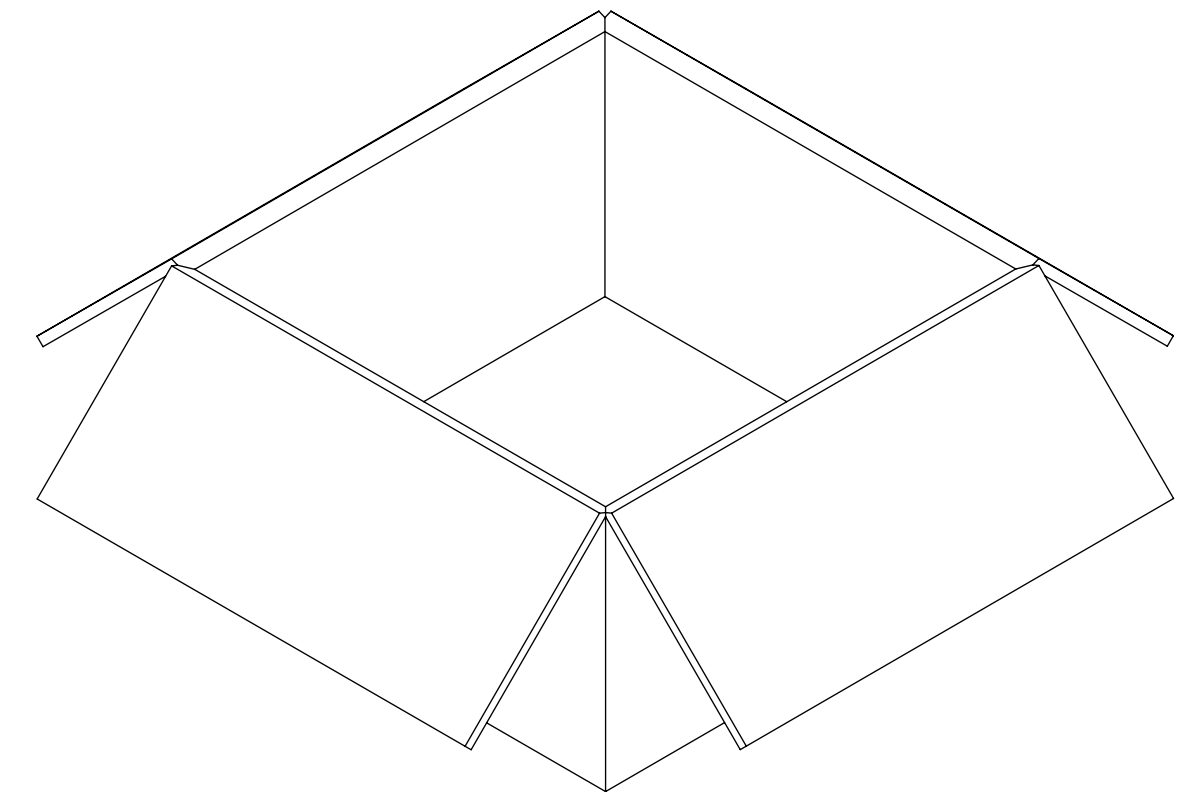
P/N 73415-291*



54 SET PER TRAY
TRAY P/N 89707-0220



648 SET PER INNER
CARTON BOX
P/N 96707-0001



1296 SET PER OUTER
CARTON BOX
P/N 96708-0005

73415-2923	73403-5753
73415-2922	73403-5752
73415-2921	73403-5751
73415-2920	73403-5750
73415-2919	73403-5749
73415-2918	73403-5748
73415-2917	73403-5747
73415-2916	73403-5746
73415-2915	73403-5745
73415-2914	73403-5744
73415-2913	73403-5743
73415-2912	73403-5742
73415-2911	73403-5741
73415-2910	73403-5740
OBSOLETE P/N	ALTERNATIVE P/N

REPLACEMENT PART NUMBERS

QUALITY SYMBOLS ▽ = 0 ▽ = 0 ▽ = 0 ▽ = 0 ▽ = 0 ▽ = 0 ▽ = 0 ▽ = 0 ▽ = 0 ▽ = 0	THIS DRAWING CONTAINS INFORMATION THAT IS PROPRIETARY TO MOLEX ELECTRONIC TECHNOLOGIES, LLC AND SHOULD NOT BE USED WITHOUT WRITTEN PERMISSION												
	SEE ECM EC NO: 123281 DRWN: BBHARADWAJD CHK'D: BBHARADWAJD REV / APPR: AROBERTSON	2017/10/09		2017/11/14		2017/11/14		GENERAL TOLERANCES (UNLESS SPECIFIED)		DIMENSION UNITS		SCALE	
								MM INCH		MM		DATE	
		4 PLACES		±		±				BBHARADWAJD		2017/10/13	
		3 PLACES		±		± 0.01				CHK'D BY		DATE	
		2 PLACES		±		0.25				SSHAH		2004/09/23	
	1 PLACES		±						APPR BY		DATE		
	0 PLACES		±						JWIENER		2004/09/24		
							ANGULAR TOL ± 2.0		DRAWING SIZE		THIRD ANGLE PROJECTION		
							DRAFT WHERE APPLICABLE MUST REMAIN WITHIN DIMENSIONS		C				
										SMB PLUG, FAKRA RG174,187,188,316 CABLE, SMB-JC, EWR-11422			
										PRODUCT CUSTOMER DRAWING			
										SERIES: 73415 MATERIAL NUMBER: SEE TABLE CUSTOMER:			
										DOCUMENT NUMBER: SD-73415-291 DOC TYPE: PSD DOC PART: 001 SHEET NUMBER: 3 OF 3			