

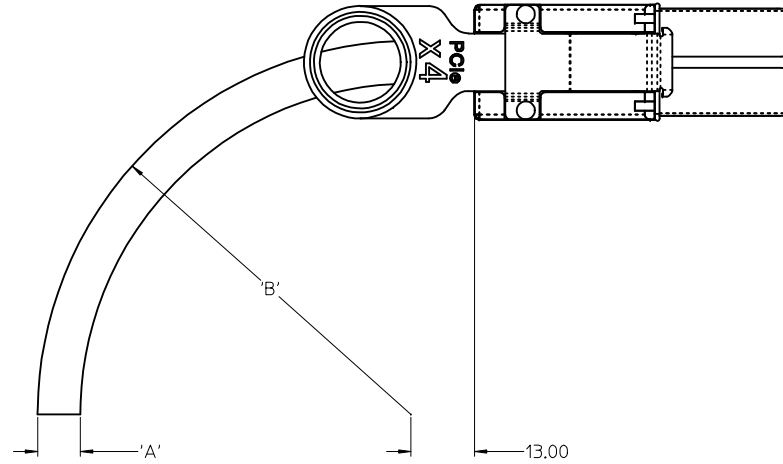
NOTES:

1. MATERIAL -
BACKSHELL - ZINC DIECAST
PULL - NYLON
2. LENGTH- SEE TABLE
3. ELECTRICAL PERFORMANCE PER PCI EXPRESS
EXTERNAL CABLING SPEC, REV 1.0
4. X8 PLUG MATES TO RECEPTACLE 75586-0002,
AND EMI GUIDE HOUSING ASSY. 74540-0101
5. X4 PLUG MATES TO RECEPTACLE 75586-0010
AND EMI GUIDE HOUSING ASSY. 74540-0401.
6. THIS PRODUCT MEETS THE RESTRICTIONS OF HAZARDOUS SUBSTANCES
IN ELECTRICAL AND ELECTRONIC EQUIPMENT (RoHS) DIRECTIVE
(2002/95/EC).

P/N	LENGTH	AWG
74546-4080	0.5M	28
74546-4081	1M	28
74546-4082	2M	28
74546-4083	3M	28
74546-4084	4M	28
74546-4085	5M	26
74546-4086	6M	26
74546-4087	7M	24

IPASS™ IS A TRADEMARK OF MOLEX

ADD AWG COLUMN EC NO: CPG2016-3210 DRW: WALLACE01 2016/02/18 CHK: GMENTRE 2016/03/01 APPR: CHIRSCY 2016/03/29	QUALITY SYMBOLS ∇=0 ∇=0 ∇=0	GENERAL TOLERANCES (UNLESS SPECIFIED) <table border="1"> <tr> <th></th> <th>mm</th> <th>INCH</th> </tr> <tr> <td>4 PLACES</td> <td>±---</td> <td>±---</td> </tr> <tr> <td>3 PLACES</td> <td>±---</td> <td>±---</td> </tr> <tr> <td>2 PLACES</td> <td>±0.13</td> <td>±---</td> </tr> <tr> <td>1 PLACE</td> <td>±0.25</td> <td>±---</td> </tr> <tr> <td>0 PLACE</td> <td>±</td> <td>±</td> </tr> </table> ANGULAR ±1/2° DRAFT WHERE APPLICABLE MUST REMAIN WITHIN DIMENSIONS		mm	INCH	4 PLACES	±---	±---	3 PLACES	±---	±---	2 PLACES	±0.13	±---	1 PLACE	±0.25	±---	0 PLACE	±	±	DIMENSION STYLE MM ONLY	SCALE 1:1	DESIGN UNITS METRIC	THIRD ANGLE PROJECTION
		mm	INCH																					
	4 PLACES	±---	±---																					
3 PLACES	±---	±---																						
2 PLACES	±0.13	±---																						
1 PLACE	±0.25	±---																						
0 PLACE	±	±																						
DRAWN BY DATE BAREED 2006/03/22		CHECKED BY DATE DDOYE 2006/03/22		APPROVED BY DATE DDOYE 2006/03/22		TITLE IPASS PCIe TRANSITION CABLE X4 - X8																		
MATERIAL NO. 74546408		DOCUMENT NO. SD-74546-408		SHEET NO. 1 OF 3		THIS DRAWING CONTAINS INFORMATION THAT IS PROPRIETARY TO MOLEX INCORPORATED AND SHOULD NOT BE USED WITHOUT WRITTEN PERMISSION																		



CABLE GAUGE	24	26	28
A. CABLE DIAMETER	10.4	9.3	8.4
B. MINIMUM OUTER RADIUS	46.9	41.7	37.7
C. FACEPLATE TO OUTER RADIUS	102.2	97.0	93.0

IPASS™ IS A TRADEMARK OF MOLEX

ADD AWG COLUMN EC NO: CPG2016-3210 DRAWN: WALLACE1 2016/02/18 CHECKED: CHYKOSKI 2016/03/01 APPROVED: APPR: CHIRSHY 2016/03/29	QUALITY SYMBOLS ▽=0 ▽=0 ▽=0	GENERAL TOLERANCES (UNLESS SPECIFIED)		DIMENSION STYLE	SCALE	DESIGN UNITS	THIRD ANGLE PROJECTION	
		mm	INCH	MM ONLY	1:1	METRIC		
		4 PLACES	+	---	+	---		
		3 PLACES	+	---	+	---		
		2 PLACES	±	0.13	+	---		
		1 PLACE	±	0.25	+	---		
		0 PLACE	±		+	---		
		ANGULAR ±1/2°						
		DRAFT WHERE APPLICABLE MUST REMAIN WITHIN DIMENSIONS						
		MATERIAL NO.	74546408		DOCUMENT NO.	SD-74546-408		
		THIS DRAWING CONTAINS INFORMATION THAT IS PROPRIETARY TO MOLEX INCORPORATED AND SHOULD NOT BE USED WITHOUT WRITTEN PERMISSION						SHEET NO. 3 OF 3