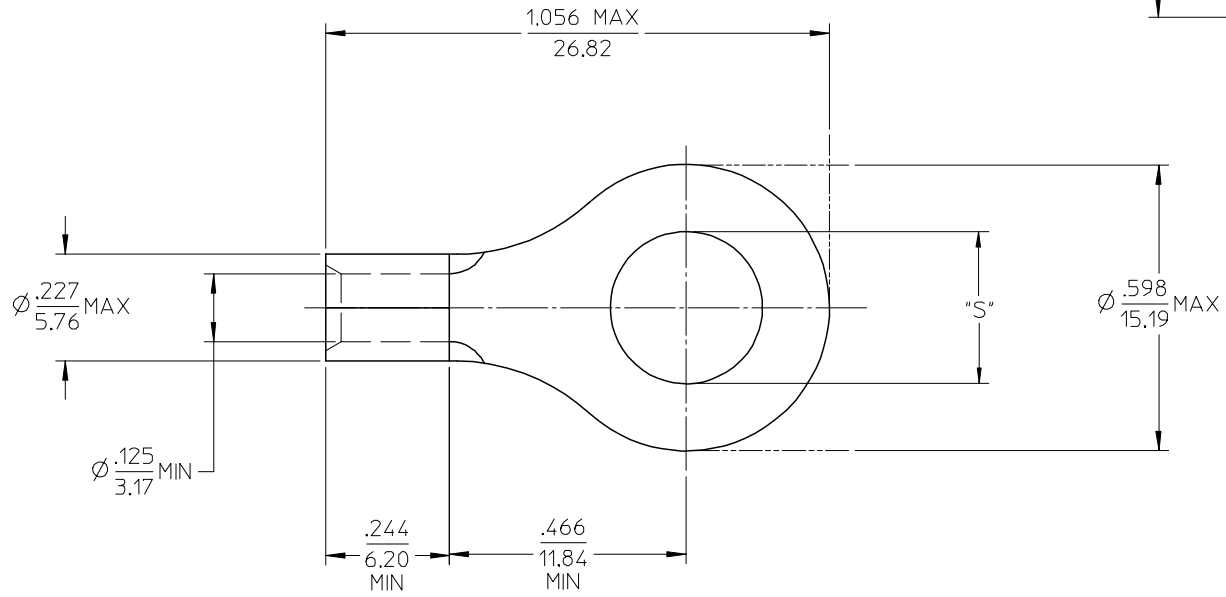
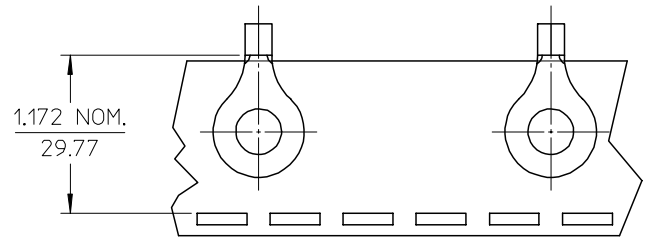


19193

MATERIAL NO. LOOSE PIECE	ENG. NO.	MATERIAL NO. TAPE MOUNTED	ENG. NO.	STUD SIZE	±.003 "S"	STOCK THICKNESS
191930132	C-340-10	191930133	C-340-10T	10	.198	.040 (1.02)
191930134	C-340-14	191930135	C-340-14T	1/4	.265	
191930141	C-340-56	191930142	C-340-56T	5/16	.328	
191930137	C-340-38	191930139	C-340-38T	3/8	.390	



SALES DRAWING

- NOTE(S):
1. MATERIAL: COPPER
  2. PLATING: ELECTROPLATE TIN
  3. ALL DIMENSIONS IN INCHES/(MM).
  4. WIRE SIZE: 12-10 AWG  
4.0-6.0 MM<sup>2</sup>

REVISED/UPDATE TO MX STDS EC NO: ETC2003-0315 DRWN:DMYRICK 2003/08/20 CHKD:HEB 2003/08/21 APPR:RDEROSS 2003/08/21	QUALITY SYMBOLS ▽ = 0 ▽ = 0	GENERAL TOLERANCES (UNLESS SPECIFIED)		SCALE 4:1	DESIGN UNITS INCH	THIRD ANGLE PROJECTION	REVISE ON CAD ONLY			
			mm	INCH	DIMENSION STYLE IN/MM		TITLE			
		4 PLACES	± ---	± ---	DRAWN BY DLM	DATE 03/06/13	RING TONGUE TERMINAL VERSAKRIMP 12-10 AWG			
		3 PLACES	± ---	± .005	CHECKED BY HEB	DATE 03/06/13	MOLEX INCORPORATED			
			2 PLACES	± 0.13	± .01	APPROVED BY RWD	DATE 03/06/13	MATERIAL NO. (SEE CHART)	DOCUMENT NO. SD-19193-026	SHEET NO. 1 OF 1
			1 PLACE	± 0.25	± ---	THIS DRAWING CONTAINS INFORMATION THAT IS PROPRIETARY TO MOLEX INCORPORATED AND SHOULD NOT BE USED WITHOUT WRITTEN PERMISSION				
			ANGULAR ±1/2°							
			DRAFT WHERE APPLICABLE							
			MUST REMAIN WITHIN DIMENSIONS							