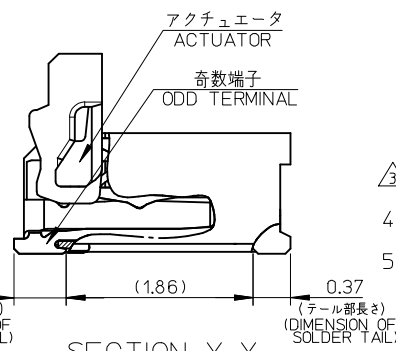
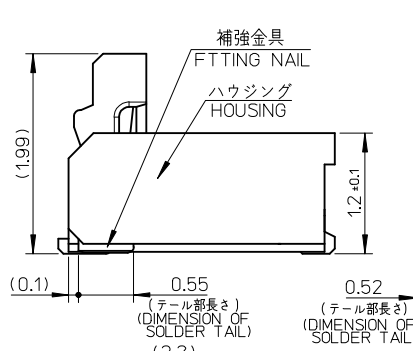
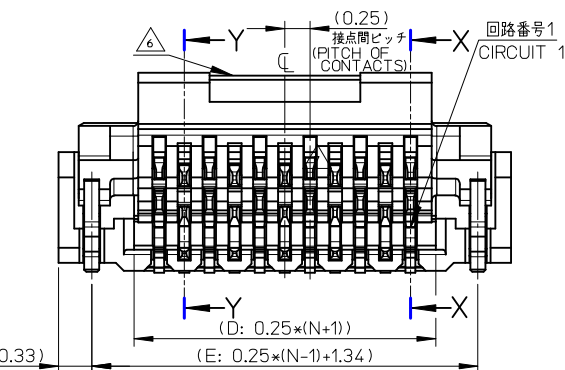
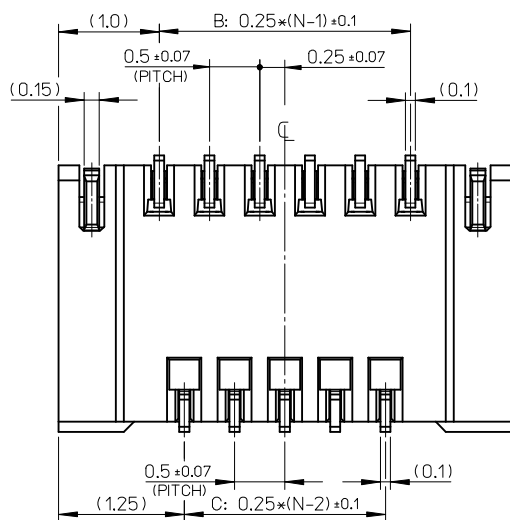
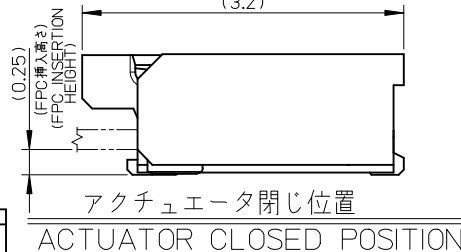


SECTION Y-Y



SECTION X-X



注記 NOTES

1. 使用材料 MATERIALS
 - ハウジング : 液晶ポリマー(UL94V-0、黒色)
 - アクチュエータ : ポリアミド樹脂(UL94V-0、ベージュ)
 - 奇数端子 : リン青銅
 - 偶数端子 : リン青銅
 - 補強金具 : リン青銅
 - HOUSING : G.F. LCP (BLACK)
 - ACTUATOR : G.F. POLYAMIDE (BEIGE)
 - ODD TERMINAL : PHOSPHOR BRONZE
 - EVEN TERMINAL : PHOSPHOR BRONZE
 - FITTING NAIL : PHOSPHOR BRONZE

2. メッキ仕様 PLATING

- 端子 TERMINAL
 テール部: 金メッキ
 接点部: 金メッキ0.1μm以上
 下地: ニッケルメッキ1.0μm以上
 TAIL AREA: Gold PLATING
 CONTACT AREA: Gold PLATING 0.1μm MINIMUM
 UNDER PLATING: Nickel PLATING 1.0μm MINIMUM
- 金具 FITTING NAIL
 全面: スズメッキ 1.0μm 以上
 下地: ニッケルメッキ 1.0μm 以上
 ALL OVER: Tin PLATING 1.0μm MINIMUM
 UNDER PLATING: Nickel PLATING 1.0μm MINIMUM

△ 端子、補強金具のコプラナリティーは 0.1 以下とする
 COPLANALITY OF SOLDER TAILS AND FITTING NAILS : 0.1MAX.

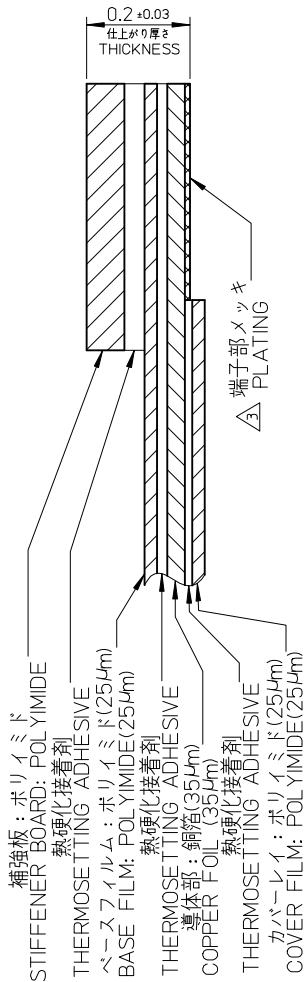
4. 一般公差: ±0.3
 GENERAL TOLERANCES: ±0.3

5. ELV 及び RoHS 適合品
 ELV AND RoHS COMPLIANT

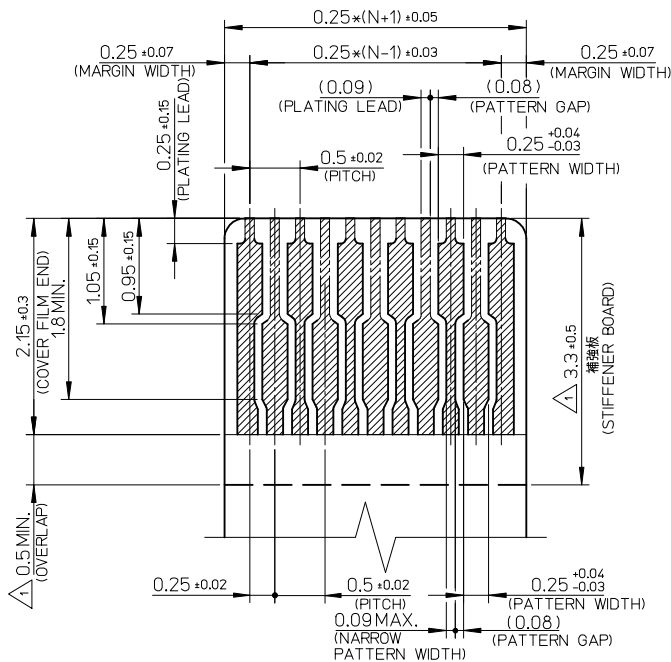
△ ゲート部形状とする
 本形状は極数により異なります
 THIS SHAPE IS FOR GATE
 IT DEPENDS ON THE NUMBER OF CIRCUITS

14.34	13.5	12.5	13	15	503300-5310	53
11.84	11	10	10.5	12.5	503300-4310	43
11.34	10.5	9.5	10	12	503300-4110	41
10.34	9.5	8.5	9	11	503300-3710	37
8.84	8	7	7.5	9.5	503300-3110	31
8.34	7.5	6.5	7	9	503300-2910	29
6.34	5.5	4.5	5	7	503300-2110	21
E	D	C	B	A	ORDER NO.	CIRCUITS
CONNECTOR SERIES NO. 503300-**18						EMBOSSED TAPE PACKAGE

REVISED EC NO: J2014-1201 DRAWN: IMORI SHITA 2014/01/29 CHECKED: TAKAHASHI 2014/01/29 APPR: YNOGAWA 2014/02/07	GENERAL TOLERANCES (UNLESS SPECIFIED)		DIMENSION STYLE MM ONLY	SCALE 20:1	DESIGN UNITS METRIC	THIRD ANGLE PROJECTION
	10 UNDER	± ---	DRAWN BY MNIITA	DATE 2010/08/23	TITLE 0.25 PITCH FPC CONN. E/O HGT=1.2 UPR CONTACT TYPE LOW-HALOGEN	
	10 OVER 30 UNDER	± ---	CHECKED BY SHOSHIKAWA	DATE 2010/08/24		
	30 OVER	± ---	APPROVED BY SHOSHIKAWA	DATE 2010/08/27		
ANGULAR	±1 °	MATERIAL NO.	SEE CHART	DOCUMENT NO. SD-503300-001	SHEET NO. 1 OF 2	
DRAFT WHERE APPLICABLE MUST REMAIN WITHIN DIMENSIONS		THIS DRAWING CONTAINS INFORMATION THAT IS PROPRIETARY TO MOLEX INCORPORATED AND SHOULD NOT BE USED WITHOUT WRITTEN PERMISSION				

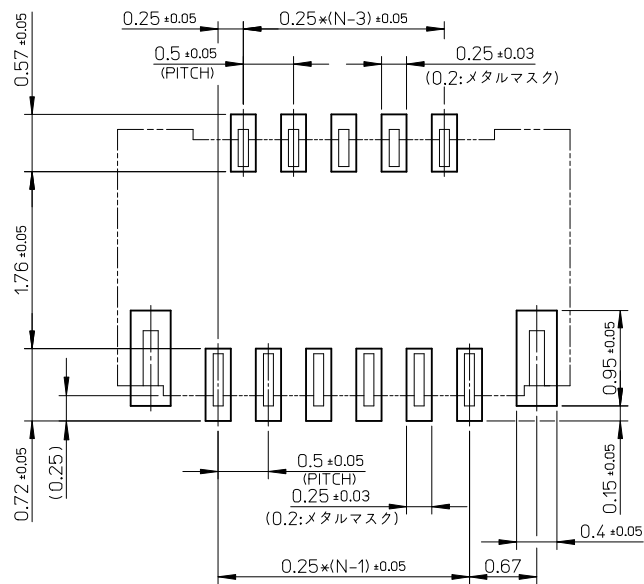


FPC 構成材料例
EXAMPLE OF FPC COMPOSITION MATERIAL



適合するFPC 推奨寸法
APPLICABLE FPC
RECOMMENDED DIMENSION

(端子部仕上がり厚さ: 0.2 ± 0.03)
(THICKNESS: 0.2 ± 0.03)



注記 NOTES

- 補強板長さが図面通り確保できない場合は、カバーレイと補強板のオーバーラップ寸法を 0.5mm 以上としてください
WHEN STIFFENER BOARD DIMENSION CAN NOT BE SECURE AS DRAWING, PLEASE GIVE THE OVERLAP SIZE OF COVER FILM AND STIFFENER BOARD AS 0.5mm MINIMUM
- 推奨ペースト厚 : 100μm
推奨マスク開口率 : 80%
RECOMMEND SCREEN THICKNESS : 100μm
RECOMMEND SCREEN OPEN RATIO : 80%

- FPCパターンのメッキ仕様は
金メッキ: 0.14μm以上
下地ニッケルメッキ: 2~6μm
FPC PATTERN PLATING
GOLD PLATING : 0.14μm MINIMUM
NICKEL UNDER PLATING : 2~6μm

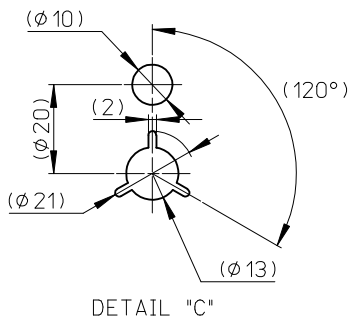
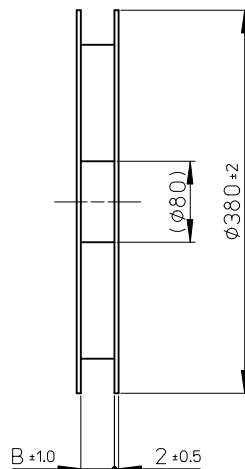
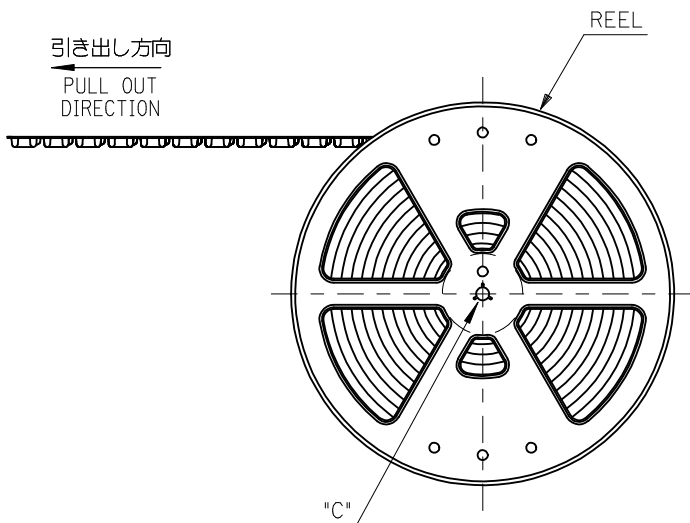
- 4 FPCについて (ABOUT FPC)
抜き方向は、導体側から補強板側を推奨します
補強板材質は、ポリイミドを推奨します
接着剤は熱硬化接着剤を推奨します
なお、接着剤の接点部への付着は導通不良の原因となりますので染み出しがないよう、お願いします
RECOMMENDED PUNCHER DIRECTION:
FROM CONDUCTOR SIDE TO STIFFENER BOARD SIDE
RECOMMENDED MATERIAL:
STIFFENER BOARD: POLYIMIDE
BONDING AGENT: THERMOSETTING AGENT
PLEASE PUT APPROPRIATE AMOUNT OF ADHESIVE ON THE CONTACT AREA BECAUSE THE EXTRA ADHESIVE MAY CAUSE THE DEFECT IN ELECTRICAL CONTINUITY

REVISED EC NO: J2014-1201 DRWN: MORISHITA 2014/01/29 CHKD: KAKAHASHI 2014/01/29 APPR: YNOGAWA 2014/02/07	GENERAL TOLERANCES (UNLESS SPECIFIED)		DIMENSION STYLE MM ONLY	SCALE 20:1	DESIGN UNITS METRIC	THIRD ANGLE PROJECTION
	10 UNDER	± ---	DRAWN BY MNIITA	DATE 2010/08/23	TITLE 0.25 PITCH FPC CONN. E/O HGT=1.2 UPR CONTACT TYPE LOW-HALOGEN	
	10 OVER 30 UNDER	± ---	CHECKED BY SHOSHIKAWA	DATE 2010/08/24		
	30 OVER	± ---	APPROVED BY SHOSHIKAWA	DATE 2010/08/27		
ANGULAR ±1 °		MATERIAL NO.	SEE SHEET 1	DOCUMENT NO. SD-503300-001	SHEET NO. 2 OF 2	
DRAFT WHERE APPLICABLE MUST REMAIN WITHIN DIMENSIONS		SIZE A3	THIS DRAWING CONTAINS INFORMATION THAT IS PROPRIETARY TO MOLEX INCORPORATED AND SHOULD NOT BE USED WITHOUT WRITTEN PERMISSION			

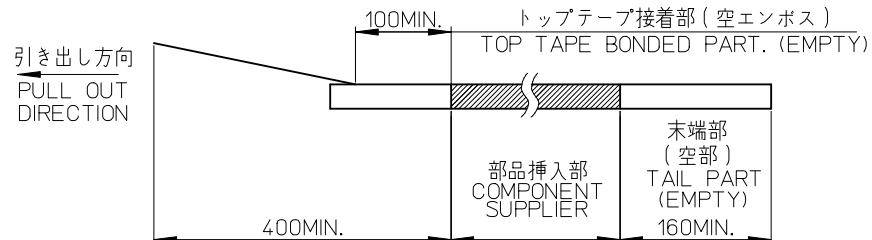
注記 NOTES

- 製品詳細寸法については図面 SD-503300-001 を参照下さい。
RE DETAILED DIMENSION, SEE SD-503300-001
- 梱包数量：3000 個／リール
NUMBER OF CONNECTORS : 3000 PCS/REEL
- リードテープ長さ LEAD TAPE LENGTH

引き出し方向
PULL OUT
DIRECTION



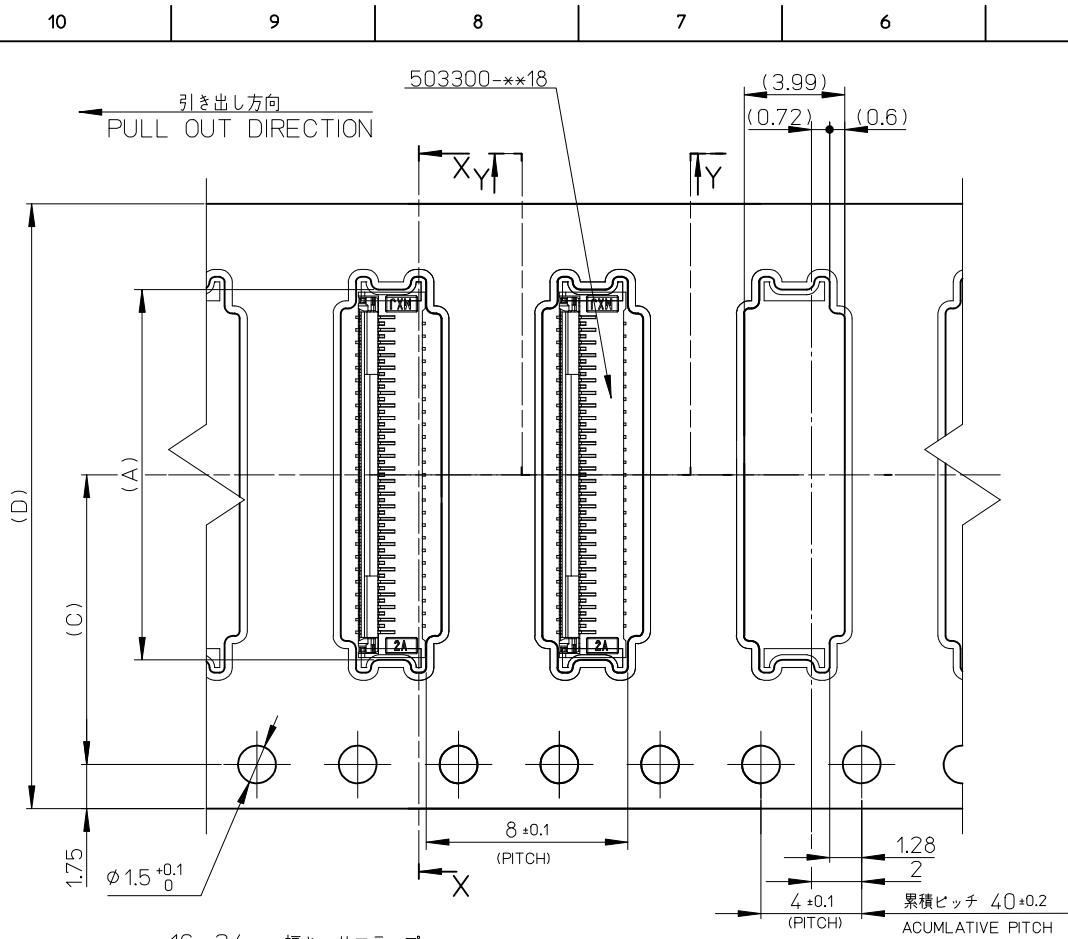
DETAIL "C"



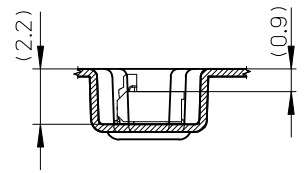
- 材料 MATERIAL
 キャリアテープ (CARRIER TAPE) : ポリスチレン (POLYSTYRENE)
 トップテープ (TOP TAPE) : PET , PE , PEF
 リール (REEL) : ポリスチレン (PS) <リサイクル材を含む>
 POLYSTYRENE (PS) <RECYCLE MATERIAL CONTAINED>
- カバーテープの剝離強度については、IEC60286-3 に準拠
 COVER TAPE PEEL FORCE IS DEFINED BY IEC60286-3.

CONNECTOR SERIES NO. 503300-***10

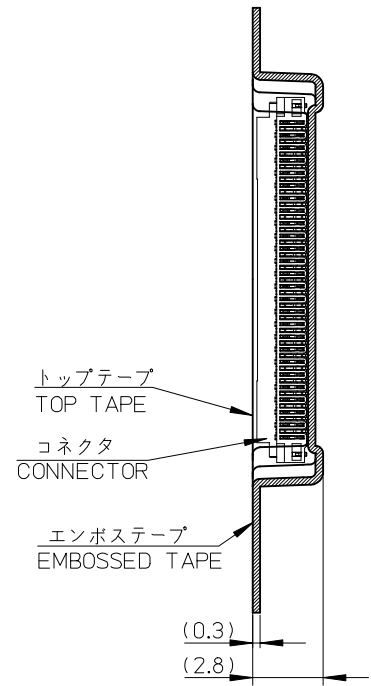
REVISED EC NO: J2014-1201 DRWN: TMORISHITA 2014/01/29 CHKD: KTAKAHASHI 2014/01/29 APPR: YNOGAWA 2014/02/07	GENERAL TOLERANCES (UNLESS SPECIFIED)		DIMENSION STYLE MM ONLY	SCALE ---	DESIGN UNITS METRIC	THIRD ANGLE PROJECTION
	10 UNDER	±0.2	DRAWN BY MNIITA	DATE 2010/08/24	TITLE 0.25MM FPC CONN. E/O H=1.2 HSG ASSY UPR EMBOSSED TAPE PACKAGE	
	10 OVER 30 UNDER	±0.25	CHECKED BY SHOSHIKAWA	DATE 2010/08/24		
	30 OVER	±0.3	APPROVED BY SHOSHIKAWA	DATE 2010/08/27		
ANGULAR	±1 °	MATERIAL NO. SEE CHART		DOCUMENT NO. SD-503300-002	SHEET NO. 1 OF 3	
DRAFT WHERE APPLICABLE MUST REMAIN WITHIN DIMENSIONS		SIZE A3	THIS DRAWING CONTAINS INFORMATION THAT IS PROPRIETARY TO MOLEX INCORPORATED AND SHOULD NOT BE USED WITHOUT WRITTEN PERMISSION			



16, 24mm幅キャリアテープ
16, 24mm WIDTH CARRIER TAPE



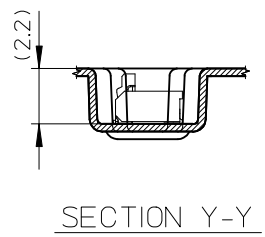
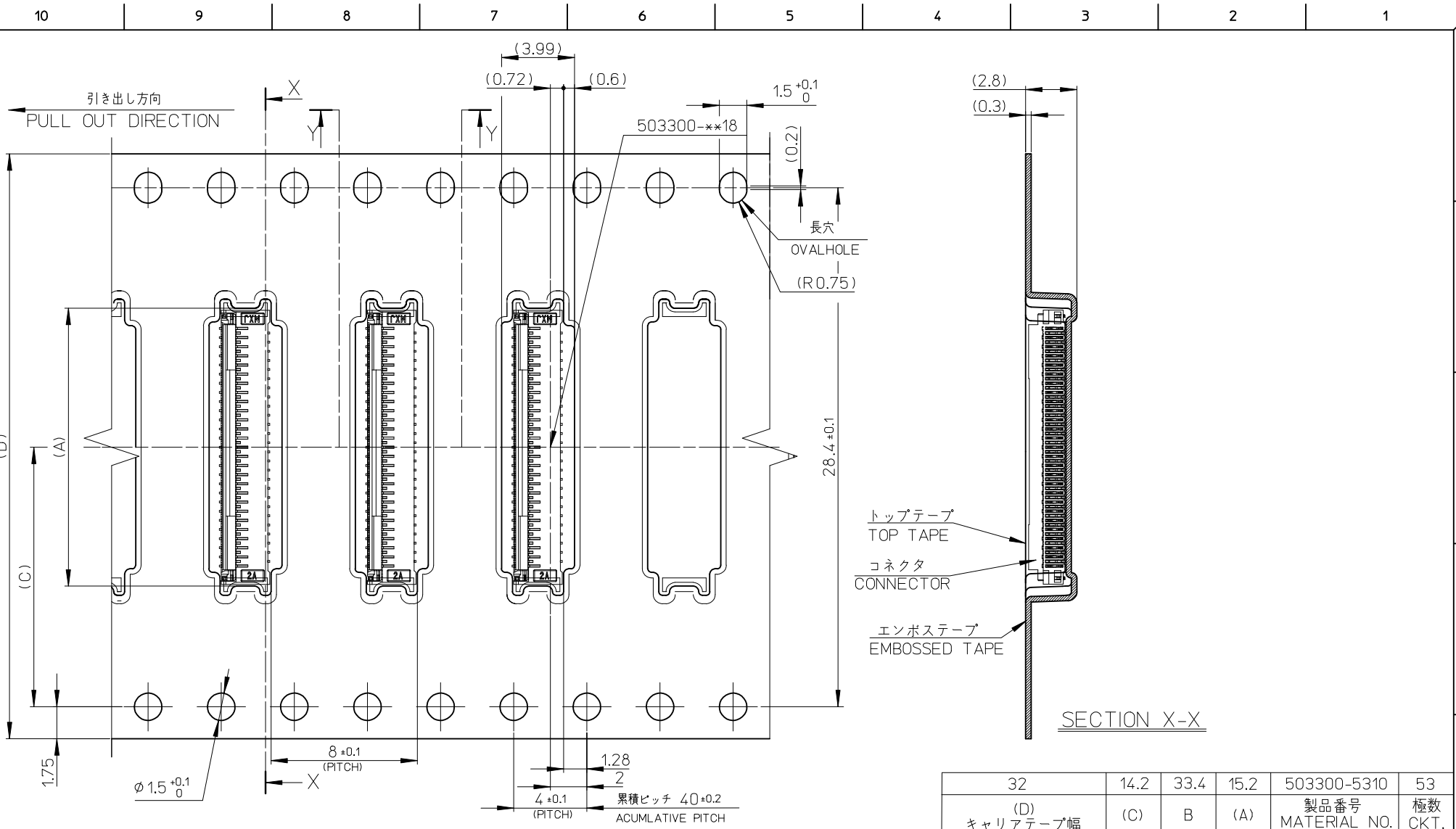
SECTION Y-Y



SECTION X-X

24	11.5	25.4	13.7	503300-4310	43
			13.2	503300-4110	41
			12.2	503300-3710	37
			10.7	503300-3110	31
			10.2	503300-2910	29
			8.2	503300-2110	21
(D) キャリアテープ幅 CARRIER TAPE WIDTH	(C)	B	(A)	オーダー番号 ORDER NO.	極数 CIRCUITS
CONNECTOR SERIES NO. 503300-**-10					

REVISED EC NO: J2014-1201 DRWN: IMORISHITA 2014/01/29 CHKD: TAKAHASHI 2014/01/29 APPR: YNOGAWA 2014/02/07	GENERAL TOLERANCES (UNLESS SPECIFIED)		DIMENSION STYLE MM ONLY		SCALE ---		DESIGN UNITS METRIC		THIRD ANGLE PROJECTION	
	10 UNDER	±0.2	DRAWN BY MNIITA		DATE 2010/08/24		TITLE 0.25MM FPC CONN. E/O H=1.2 HSG ASSY UPR EMBOSSED TAPE PACKAGE			
	10 OVER 30 UNDER	±0.25	CHECKED BY SHOSHIKAWA		DATE 2010/08/24					
	30 OVER	±0.3	APPROVED BY SHOSHIKAWA		DATE 2010/08/27					
	ANGULAR ±1 °		MATERIAL NO.		DOCUMENT NO.		SHEET NO.			
DRAFT WHERE APPLICABLE MUST REMAIN WITHIN DIMENSIONS		SIZE A3		SEE CHART		SD-503300-002		2 OF 3		



32	14.2	33.4	15.2	503300-5310	53
(D) キャリアテープ幅 CARRIER TAPE WIDTH	(C)	B	(A)	製品番号 MATERIAL NO.	極数 CKT.
MODEL NO.				503300-**10	
DIMENSION STYLE MM ONLY		SCALE 1:1	DESIGN UNITS METRIC	THIRD ANGLE PROJECTION	

REVISED EC NO: J2014-1201 DRWN: TMORISHITA 2014/01/29 CHKD: TAKAHASHI 2014/01/29 APPR: YNOGAWA 2014/02/07	GENERAL TOLERANCES (UNLESS SPECIFIED)	
	10 UNDER	±0.2
	10 OVER 30 UNDER	±0.25
	30 OVER	±0.3
ANGULAR	±1 °	
DRAFT WHERE APPLICABLE MUST REMAIN WITHIN DIMENSIONS		

DRAWN BY MNIITA	DATE 2012/01/05	TITLE 0.25MM FPC CONN. E/O H=1.2 HSG ASSY UPR EMBOSSED TAPE PACKAGE
CHECKED BY SHOSHIKAWA	DATE 2012/01/05	molex
APPROVED BY SHOSHIKAWA	DATE 2012/01/05	
MATERIAL NO. SEE CHART	DOCUMENT NO. SD-503300-002	SHEET NO. 3 OF 3
THIS DRAWING CONTAINS INFORMATION THAT IS PROPRIETARY TO MOLEX INCORPORATED AND SHOULD NOT BE USED WITHOUT WRITTEN PERMISSION		