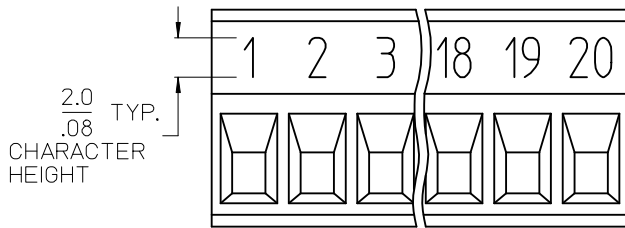
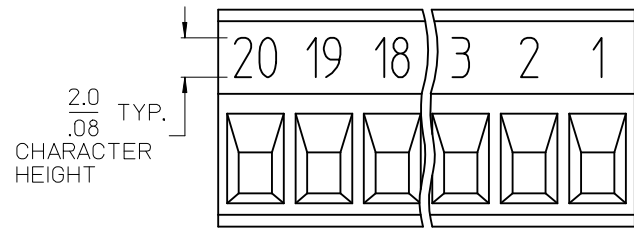


10 9 8 7 6 5 4 3 2 1

Circuit size	Material Numbers												Dimensional Information			
	Black						Green						Dim. A		Dim. D	
	100% Tin			30 u" Gold			100% Tin			30 u" Gold			mm		inch	
	Printing Options			Printing Options			Printing Options			Printing Options						
	None	10A	11A	None	10A	11A	None	10A	11A	None	10A	11A	mm	inch	mm	inch
2	39500002	395000102	395000202	395000502	395000602	395000702	395005002	395005102	395005202	395005502	395005602	395005702	7.80	0.307	3.50	0.138
3	395000003	395000103	395000203	395000503	395000603	395000703	395005003	395005103	395005203	395005503	395005603	395005703	11.30	0.445	7.00	0.276
4	395000004	395000104	395000204	395000504	395000604	395000704	395005004	395005104	395005204	395005504	395005604	395005704	14.80	0.583	10.50	0.413
5	395000005	395000105	395000205	395000505	395000605	395000705	395005005	395005105	395005205	395005505	395005605	395005705	18.30	0.720	14.00	0.551
6	395000006	395000106	395000206	395000506	395000606	395000706	395005006	395005106	395005206	395005506	395005606	395005706	21.80	0.858	17.50	0.688
7	395000007	395000107	395000207	395000507	395000607	395000707	395005007	395005107	395005207	395005507	395005607	395005707	25.30	0.996	21.00	0.827
8	395000008	395000108	395000208	395000508	395000608	395000708	395005008	395005108	395005208	395005508	395005608	395005708	28.80	1.134	24.50	0.965
9	395000009	395000109	395000209	395000509	395000609	395000709	395005009	395005109	395005209	395005509	395005609	395005709	32.30	1.272	28.00	1.102
10	395000010	395000110	395000210	395000510	395000610	395000710	395005010	395005110	395005210	395005510	395005610	395005710	35.80	1.409	31.50	1.240
11	395000011	395000111	395000211	395000511	395000611	395000711	395005011	395005111	395005211	395005511	395005611	395005711	39.30	1.547	35.00	1.378
12	395000012	395000112	395000212	395000512	395000612	395000712	395005012	395005112	395005212	395005512	395005612	395005712	42.80	1.685	38.50	1.516
13	395000013	395000113	395000213	395000513	395000613	395000713	395005013	395005113	395005213	395005513	395005613	395005713	46.30	1.823	42.00	1.654
14	395000014	395000114	395000214	395000514	395000614	395000714	395005014	395005114	395005214	395005514	395005614	395005714	49.80	1.961	45.50	1.791
15	395000015	395000115	395000215	395000515	395000615	395000715	395005015	395005115	395005215	395005515	395005615	395005715	53.30	2.098	49.00	1.929
16	395000016	395000116	395000216	395000516	395000616	395000716	395005016	395005116	395005216	395005516	395005616	395005716	56.80	2.236	52.50	2.067
17	395000017	395000117	395000217	395000517	395000617	395000717	395005017	395005117	395005217	395005517	395005617	395005717	60.30	2.374	56.00	2.205
18	395000018	395000118	395000218	395000518	395000618	395000718	395005018	395005118	395005218	395005518	395005618	395005718	63.80	2.512	59.50	2.343
19	395000019	395000119	395000219	395000519	395000619	395000719	395005019	395005119	395005219	395005519	395005619	395005719	67.30	2.650	63.00	2.480
20	395000020	395000120	395000220	395000520	395000620	395000720	395005020	395005120	395005220	395005520	395005620	395005720	70.80	2.787	66.50	2.618



10A IMPRINTING



11A IMPRINTING

TOLERANCES			
MM	TOL	INCH	TOL
0-6	±0.25	0-.24	±.010
>6-30	±0.40	.24-1.18	±.016
>30-120	±0.50	1.18-4.76	±.020
>120	±0.80	>4.76	±.031

REVISED DOC TOL  
 EC NO: ICG2017-0861  
 DRAWN: VASUTHKARP 2017/03/22  
 CHKD: C2  
 APPR: BRUPERT 2017/04/18

QUALITY SYMBOLS  
 ▽=0  
 ▽=0

GENERAL TOLERANCES (UNLESS SPECIFIED)

	mm	INCH
4 PLACES	±---	±---
3 PLACES	±---	±---
2 PLACES	±---	±---
1 PLACE	±---	±---
ANGULAR ±---		

DRAFT WHERE APPLICABLE  
 MUST REMAIN WITHIN DIMENSIONS

DIMENSION STYLE  
**MM/IN**

DRAWN BY: LROTHAUS  
 DATE: 12/6/05

CHECKED BY: C. YORK  
 DATE: 01/06/06

APPROVED BY: J. PAWLICKI  
 DATE: 01/10/06

MATERIAL NO.

SCALE: INCH  
 DESIGN UNITS: INCH  
 THIRD ANGLE PROJECTION

TITLE: 3.50MM, EURO TERM. BLOCK  
 RIGHT ANGLE, PLUG

**molex** MOLEX INCORPORATED

DOCUMENT NO. SD-39500-001  
 SHEET NO. 2 OF 2

THIS DRAWING CONTAINS INFORMATION THAT IS PROPRIETARY TO MOLEX INCORPORATED AND SHOULD NOT BE USED WITHOUT WRITTEN PERMISSION

9 8 7 6 5 4 3 2 1

SPECIFICATIONS:

1. MATERIAL:

- (1). SCREW: STEEL
- (2). COVER: NYLON 66 (PA 66)
- (3). TERMINAL: PHOSPHOR BRONZE
- (4). CAGE (\*): BRASS
- (5). BODY: NYLON 66 (PA 66)
- (6). SCREW: STEEL.

2. PRODUCT SPECIFICATION: PS-39500-001

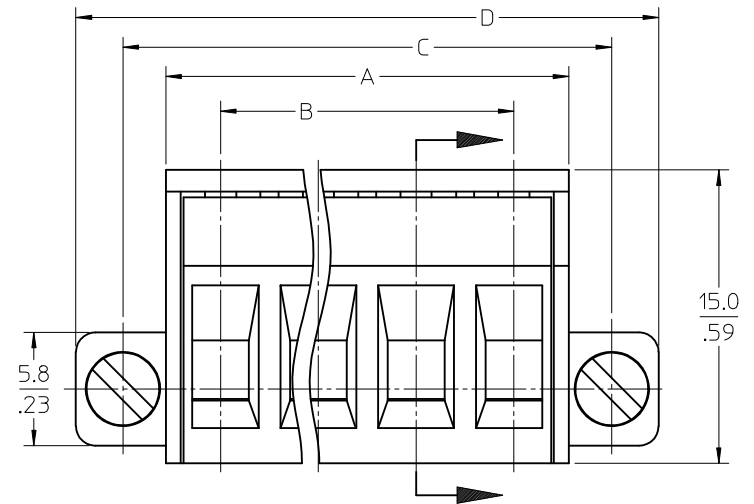
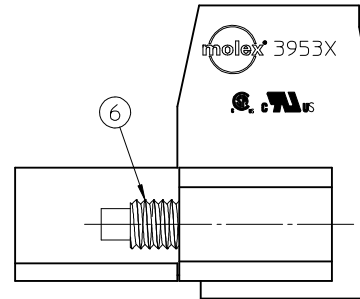
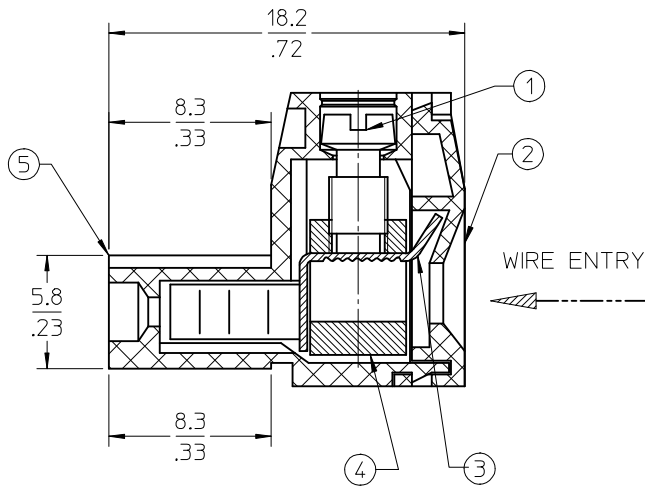
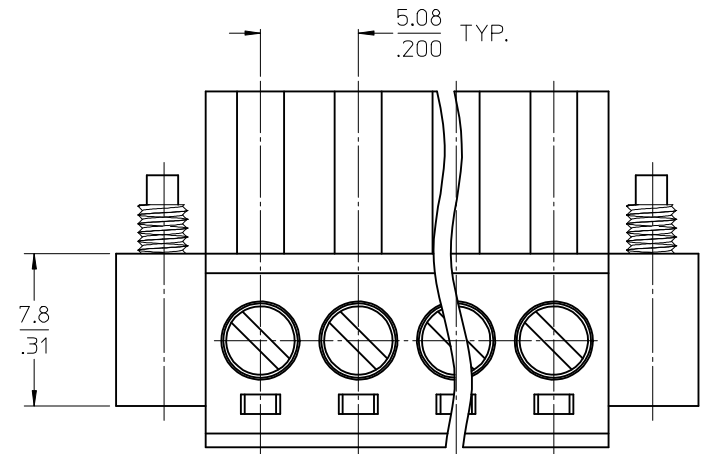
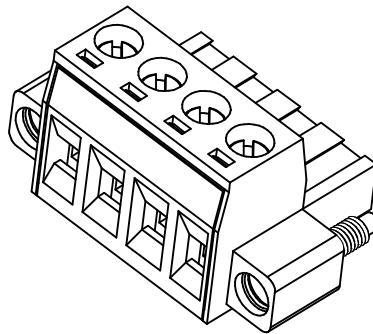
3. WIRE RANGE: 30 - 12AWG.

4. WIRE STRIP LENGTH: 6.50/.256

5. TORQUE: 5 in-lbs.

6. NUMBER OF CIRCUIT POSITIONS AVAILABLE = 2 THROUGH 24

7. ASSEMBLY IS ROHS COMPLIANT

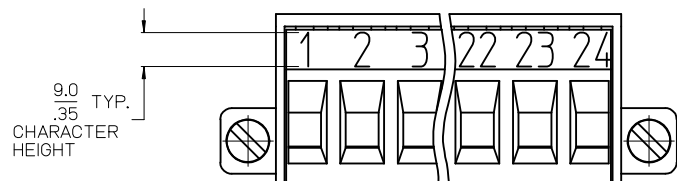


TOLERANCES			
MM	TOL	INCH	TOL
0-6	±0.25	0-.24	±.010
>6-30	±0.40	.24-1.18	±.016
>30-120	±0.50	1.18-4.76	±.020
>120	±0.80	>4.76	±.031

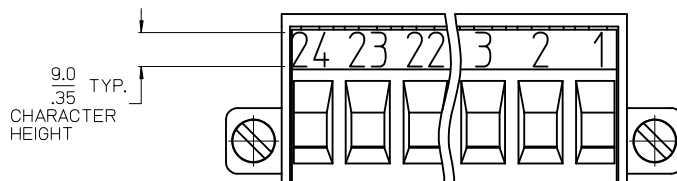
REF. THIS DRAWING SUPERSEDES SD-39534-001 REV-C DATED 2005/12/06

REVISED DOC TOL EC NO: IPG2017-0881 DRAWN: CRADDOREWS 2017/03/24 CHKD: APPR: BRUPERT 2017/04/18 REV D2	QUALITY SYMBOLS ▽=0 ▽=0	GENERAL TOLERANCES (UNLESS SPECIFIED)	DIMENSION STYLE MM/IN	SCALE 1:1	DESIGN UNITS METRIC	THIRD ANGLE PROJECTION
		4 PLACES ± --- ± --- 3 PLACES ± --- ± --- 2 PLACES ± --- ± --- 1 PLACE ± --- ± --- 0 PLACE ± --- ± ---	DRAWN BY RSTONE	DATE 2015/03/31	TITLE 5.08MM EURO PLUG RIGHT ANGLE MOUNTING ENDS	DOCUMENT NO. SD-39534-001
ANGULAR ± --- ° DRAFT WHERE APPLICABLE MUST REMAIN WITHIN DIMENSIONS		SEE SHEET 2		THIS DRAWING CONTAINS INFORMATION THAT IS PROPRIETARY TO MOLEX INCORPORATED AND SHOULD NOT BE USED WITHOUT WRITTEN PERMISSION		

Circuit size	Material Numbers												Dimensional Information									
	Black						Green						Dim. A		Dim. B		Dim. C		Dim. D			
	100% Tin			30 u" Gold			100% Tin			30 u" Gold			mm	inch	mm	inch	mm	inch	mm	inch		
	Printing Options			Printing Options			Printing Options			Printing Options												
	None	10A	11A	None	10A	11A	None	10A	11A	None	10A	11A	None	10A	11A							
2	395340002	395340102	395340202	395340502	395340602	395340702	395345002	395345102	395345202	395345502	395345602	395345702	10.2	0.40	5.08	0.200	15.2	0.60	20.1	0.79	20.1	0.79
3	395340003	395340103	395340203	395340503	395340603	395340703	395345003	395345103	395345203	395345503	395345603	395345703	15.2	0.60	10.16	0.400	20.1	0.79	25.1	0.99		
4	395340004	395340104	395340204	395340504	395340604	395340704	395345004	395345104	395345204	395345504	395345604	395345704	20.3	0.80	15.24	0.600	25.1	0.99	30.2	1.19		
5	395340005	395340105	395340205	395340505	395340605	395340705	395345005	395345105	395345205	395345505	395345605	395345705	25.4	1.00	20.32	0.800	30.2	1.19	35.3	1.39		
6	395340006	395340106	395340206	395340506	395340606	395340706	395345006	395345106	395345206	395345506	395345606	395345706	30.5	1.20	25.40	1.000	35.3	1.39	40.4	1.59		
7	395340007	395340107	395340207	395340507	395340607	395340707	395345007	395345107	395345207	395345507	395345607	395345707	35.6	1.40	30.48	1.200	40.4	1.59	45.5	1.79		
8	395340008	395340108	395340208	395340508	395340608	395340708	395345008	395345108	395345208	395345508	395345608	395345708	40.6	1.60	35.56	1.400	45.5	1.79	50.5	1.99		
9	395340009	395340109	395340209	395340509	395340609	395340709	395345009	395345109	395345209	395345509	395345609	395345709	45.7	1.80	40.64	1.600	50.5	1.99	55.6	2.19		
10	395340010	395340110	395340210	395340510	395340610	395340710	395345010	395345110	395345210	395345510	395345610	395345710	50.8	2.00	45.72	1.800	55.6	2.19	60.7	2.39		
11	395340011	395340111	395340211	395340511	395340611	395340711	395345011	395345111	395345211	395345511	395345611	395345711	55.9	2.20	50.80	2.000	60.7	2.39	65.8	2.59		
12	395340012	395340112	395340212	395340512	395340612	395340712	395345012	395345112	395345212	395345512	395345612	395345712	61.0	2.40	55.88	2.200	65.8	2.59	70.9	2.79		
13	395340013	395340113	395340213	395340513	395340613	395340713	395345013	395345113	395345213	395345513	395345613	395345713	66.0	2.60	60.96	2.400	70.9	2.79	75.9	2.99		
14	395340014	395340114	395340214	395340514	395340614	395340714	395345014	395345114	395345214	395345514	395345614	395345714	71.1	2.80	66.04	2.600	75.9	2.99	81.0	3.19		
15	395340015	395340115	395340215	395340515	395340615	395340715	395345015	395345115	395345215	395345515	395345615	395345715	76.2	3.00	71.12	2.800	81.0	3.19	86.1	3.39		
16	395340016	395340116	395340216	395340516	395340616	395340716	395345016	395345116	395345216	395345516	395345616	395345716	81.3	3.20	76.20	3.000	86.1	3.39	91.2	3.59		
17	395340017	395340117	395340217	395340517	395340617	395340717	395345017	395345117	395345217	395345517	395345617	395345717	86.4	3.40	81.28	3.200	91.2	3.59	96.3	3.79		
18	395340018	395340118	395340218	395340518	395340618	395340718	395345018	395345118	395345218	395345518	395345618	395345718	91.4	3.60	86.36	3.400	96.3	3.79	101.3	3.99		
19	395340019	395340119	395340219	395340519	395340619	395340719	395345019	395345119	395345219	395345519	395345619	395345719	96.5	3.80	91.44	3.600	101.3	3.99	106.4	4.19		
20	395340020	395340120	395340220	395340520	395340620	395340720	395345020	395345120	395345220	395345520	395345620	395345720	101.6	4.00	96.52	3.800	106.4	4.19	111.5	4.39		
21	395340021	395340121	395340221	395340521	395340621	395340721	395345021	395345121	395345221	395345521	395345621	395345721	106.7	4.20	101.60	4.000	111.5	4.39	116.6	4.59		
22	395340022	395340122	395340222	395340522	395340622	395340722	395345022	395345122	395345222	395345522	395345622	395345722	111.8	4.40	106.68	4.200	116.6	4.59	121.7	4.79		
23	395340023	395340123	395340223	395340523	395340623	395340723	395345023	395345123	395345223	395345523	395345623	395345723	116.8	4.60	111.76	4.400	121.7	4.79	126.7	4.99		
24	395340024	395340124	395340224	395340524	395340624	395340724	395345024	395345124	395345224	395345524	395345624	395345724	121.9	4.80	116.84	4.600	126.7	4.99	131.8	5.19		



10A IMPRINTING



11A IMPRINTING

TOLERANCES			
MM	TOL	INCH	TOL
0-6	±0.25	0-.24	±.010
>6-30	±0.40	.24-1.18	±.016
>30-120	±0.50	1.18-4.76	±.020
>120	±0.80	>4.76	±.031

REVISED DOC TOL  
EC NO: JFG2017-0881  
DRAWN:CRADOREMS 2017/03/24  
CHKD:  
APPR:BRUPERT 2017/04/18  
REV DESCRIPTION

QUALITY SYMBOLS  
▽=0  
▽=0

GENERAL TOLERANCES (UNLESS SPECIFIED)

	MM/IN	
	mm	INCH
4 PLACES ±	---	---
3 PLACES ±	---	---
2 PLACES ±	---	---
1 PLACE ±	---	---
0 PLACE ±	---	---

ANGULAR ±---°

DRAFT WHERE APPLICABLE MUST REMAIN WITHIN DIMENSIONS

DIMENSION STYLE  
MM/IN

DRAWN BY DATE  
RSTONE 2015/03/31

CHECKED BY DATE  
B ARDEN 2015/04/01

APPROVED BY DATE  
BWOODMAN 2015/04/07

MATERIAL NO.  
SEE CHART

SCALE  
1:1

DESIGN UNITS  
METRIC

THIRD ANGLE PROJECTION

TITLE  
5.08MM EURO PLUG  
RIGHT ANGLE  
MOUNTING ENDS

**molex**

DOCUMENT NO.  
SD-39534-001

SHEET NO.  
2 OF 2

THIS DRAWING CONTAINS INFORMATION THAT IS PROPRIETARY TO MOLEX INCORPORATED AND SHOULD NOT BE USED WITHOUT WRITTEN PERMISSION

NOTE: DIMS GREATER THAN 30mm HAVE A TOLERANCE OF ±0.5mm (.02 IN.)