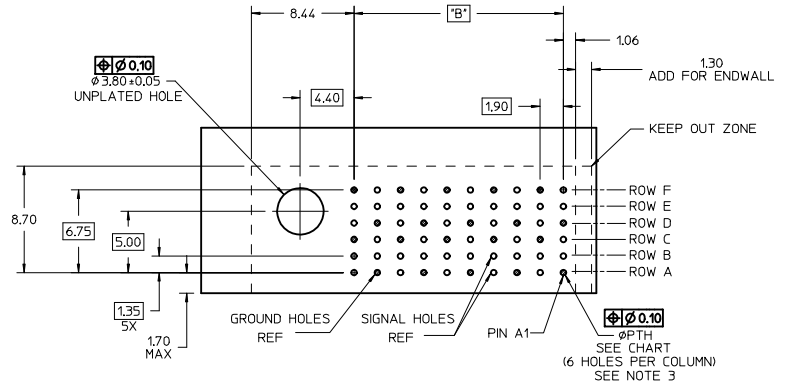
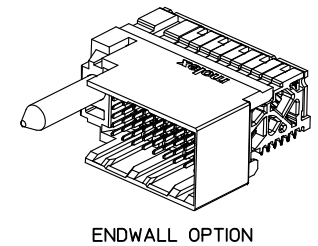
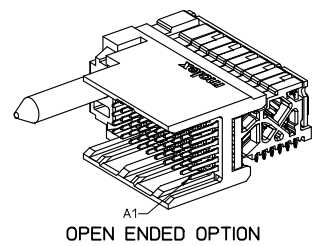
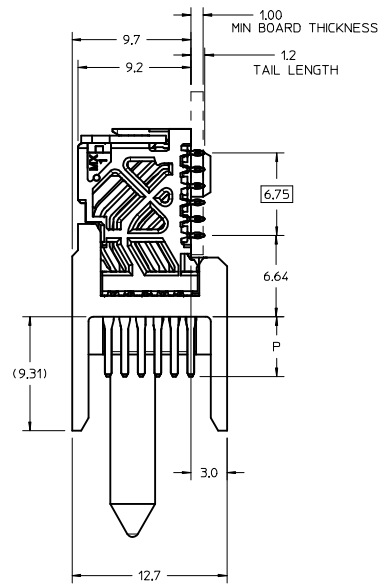
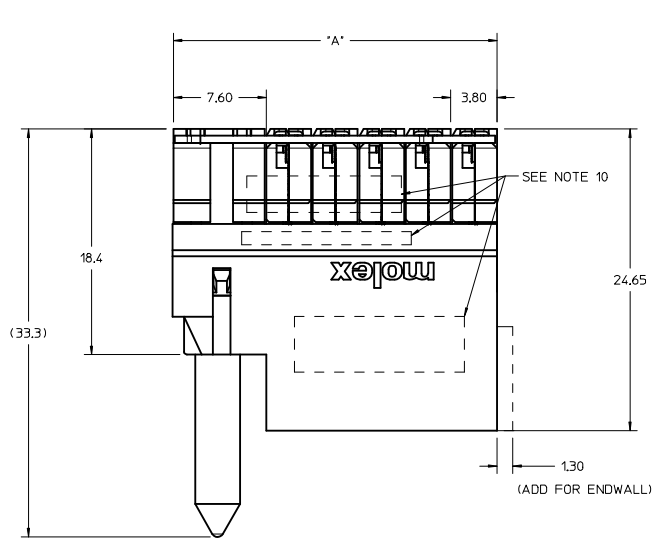


20	19	18	17	16	15	14	13	12	11	10	9	8	7	6	5	4	3	2	1
MATERIAL NUMBER	# OF COLUMNS	# OF DIFF PAIR	DIM 'A' MAX	DIM 'B'															
76450- $\times 10$ *	10	20	26.60	17.10															
76450- $\times 60$ *	16	32	38.00	28.50															

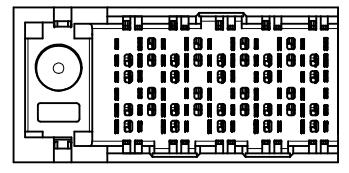
76450- $\times \times 0$ *

- MODULE TYPE
- 3 = LEFT GUIDED LEAD-FREE
 - 7 = LEFT GUIDED LEAD-FREE W/ ENDWALL
- PIN LENGTH (P)
- 4 = 4.90 (0.46 PTH)
 - 5 = 5.50 (0.46 PTH)
 - 7 = 4.90 (0.39 PTH)
 - 8 = 5.50 (0.39 PTH)
- # OF COLUMNS
- 1 = 10 COL
 - 6 = 16 COL

- NOTES:
1. MATERIALS: HOUSING - LIQUID CRYSTAL POLYMER (LCP), GLASS-FILLED, UL94V-0
TERMINALS - HIGH PERFORMANCE COPPER ALLOY
 2. FINISH: 30 μ m SELECTIVE GOLD IN CONTACT AREA, SELECTIVE TIN ON PCB TAILS, NICKEL OVERALL.
 3. FOR FURTHER INFORMATION SEE PRODUCT SPECIFICATION PS-76060-999.
 4. EACH SIGNAL WAFER CONTAINS 2 COLUMNS OF TERMINALS.
 5. PRODUCT TO BE PACKAGED PER PACKAGING SPECIFICATION PK-70873-077.
 6. THIS PART CONFORMS TO CLASS B REQUIREMENTS OF COSMETIC SPEC PS-45199-002.
 7. REFER TO MOLEX SALES DRAWING SD-76460-004 FOR MATING DAUGHTERCARDS.
 8. REFER TO MOLEX PCB ROUTING GUIDE AS-76060-990 FOR ANTI PAD AND ROUTING RECOMMENDATIONS.
 9. WHEN USING MOLEX SUPPLIED #2-32 SCREW 73726-0005 (7.62 +0.38/-0.76 mm THREADABLE SCREW LENGTH), THE BOARD THICKNESS RANGE IS 1.60 TO 3.85 mm.
 10. MARKING: LOCATED APPROXIMATELY AS SHOWN. PART NUMBER AND DATE CODE.



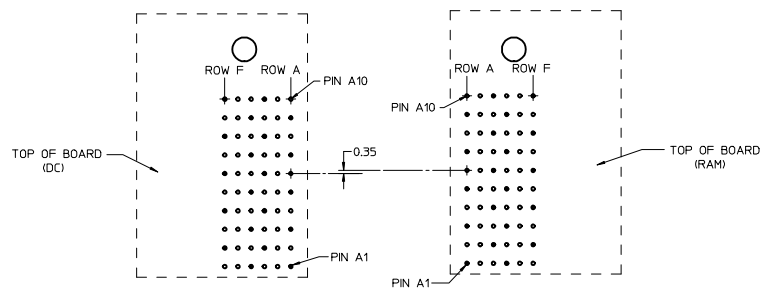
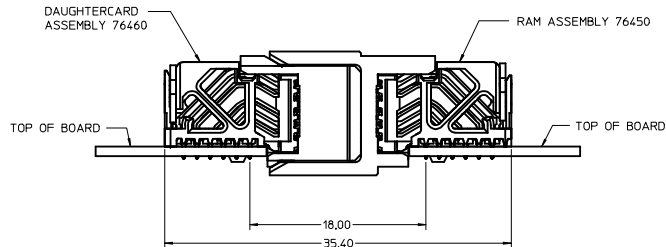
RAM HOLE PATTERN
(CONNECTOR SIDE)



ADD LASER MARK INFO EC NO: UCP2016-3973 DRAWN BY: DRWNSWARARA CHECKED BY: CHOKKIELO APPROVED BY: APPR:CHIELO DATE: 2015/07/29 DATE: 2016/02/22 DATE: 2016/04/20	QUALITY SYMBOLS ∇=0 ∇=0 ∇=0	GENERAL TOLERANCES (UNLESS SPECIFIED)		DIMENSION STYLE MM ONLY	SCALE 5:1	DESIGN UNITS METRIC	THIRD ANGLE PROJECTION
		4 PLACES ± mm ± INCH 3 PLACES ± 0.13 ± --- 2 PLACES ± 0.25 ± --- 0 PLACE ± --- ± ---	DRAWN BY: JJONIAK CHECKED BY: JLAURX APPROVED BY: JLAURX DATE: 2009/07/06 DATE: 2009/07/06 DATE: 2010/02/09	TITLE IMPACT 100 OHM 2 PAIR RAM LEFT GUIDED SALES DRAWING	SHEET NO. 1 OF 2		
		ANGULAR ±1/2° DRAFT WHERE APPLICABLE MUST REMAIN WITHIN DIMENSIONS	MATERIAL NO. SEE TABLE	DOCUMENT NO. SD-76450-002			
		THIS DRAWING CONTAINS INFORMATION THAT IS PROPRIETARY TO MOLEX INCORPORATED AND SHOULD NOT BE USED WITHOUT WRITTEN PERMISSION					

20 19 18 17 16 15 14 13 12 11 10 9 8 7 6 5 4 3 2 1

COPLANAR APPLICATION



COPLANAR MATED SIGNAL PATHS



SEE SHEET 1 EC NO: UCP2016-3973 DRAWN BY: ARVIND K. MARWARA CHKD BY: CHANDRASEKAR APPR: J. I. ELO DATE: 2015/07/29 2016/02/22 2016/04/20	QUALITY SYMBOLS	GENERAL TOLERANCES (UNLESS SPECIFIED)	DIMENSION STYLE	SCALE	DESIGN UNITS	THIRD ANGLE PROJECTION
	▽=0	4 PLACES ±--- ±---	MM ONLY	5:1	METRIC	
	▽=0	3 PLACES ±--- ±---				
	▽=0	2 PLACES ±0.13 ±---				
		1 PLACE ±0.25 ±---				
		0 PLACE ±--- ±---				
		ANGULAR ±1/2°				
		DRAFT WHERE APPLICABLE MUST REMAIN WITHIN DIMENSIONS				
			DRAWN BY: JJONIAK	DATE: 2009/07/06	TITLE: IMPACT 100 OHM 2 PAIR RAM LEFT GUIDED SALES DRAWING	
			CHECKED BY: JL AURX	DATE: 2009/07/06		
			APPROVED BY: JL AURX	DATE: 2010/02/09		
			MATERIAL NO.	DOCUMENT NO.	SHEET NO.	
			SEE TABLE	SD-76450-002	2 OF 2	
			THIS DRAWING CONTAINS INFORMATION THAT IS PROPRIETARY TO MOLEX INCORPORATED AND SHOULD NOT BE USED WITHOUT WRITTEN PERMISSION			

19 18 17 16 15 14 13 12 11 10 9 8 7 6 5 4 3 2 1