

MATERIALS AND FINISHES

COUPLING NUT: SEE TABLE  
PLATED SEE TABLE

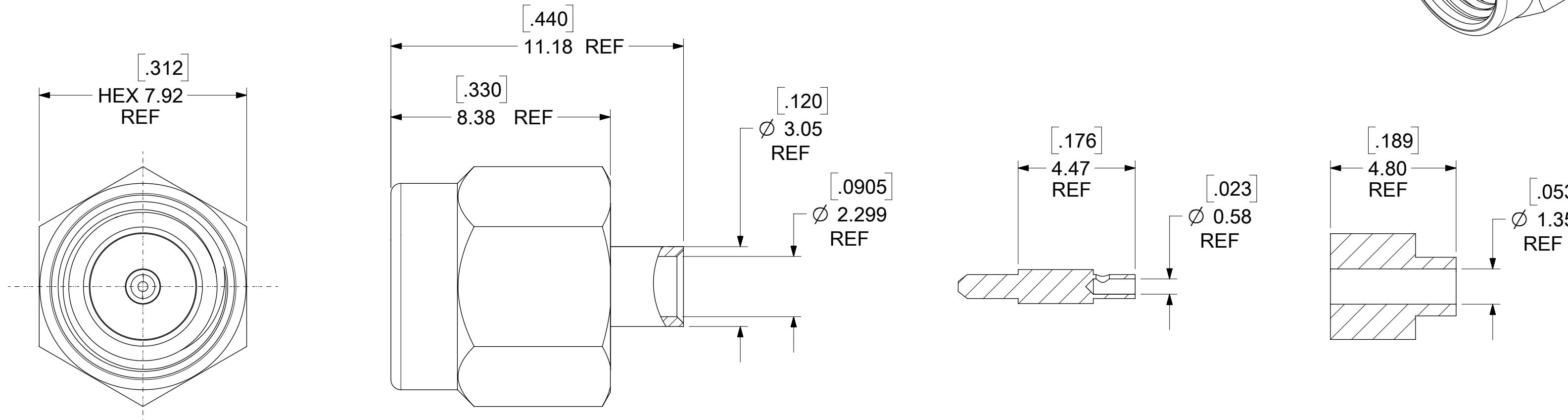
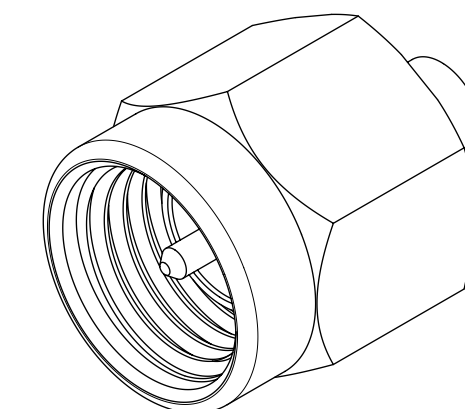
BODY:  
STAINLESS STEEL -0051 THRU -0058  
BRASS -0059  
STAINLESS STEEL -6530 & -6531  
PLATED SEE TABLE

CENTER CONTACT: BRASS  
PLATED SEE TABLE

INSULATOR: PTFE

C'RING: BERYLLIUM COPPER

GASKET: SILICON RUBBER



AS-89675-500	CABLE ASSEMBLY INSTRUCTIONS
PS-89675-346	ELEC/MECH PERFORMANCE
MIL-STD-348, FIG. 310-1	INTERFACE
SPECIFICATION	DESCRIPTION

73251-6531	PLTD. GOLD (5µ-in MIN) OVER NICKEL (50µ-in MIN)	STAINLESS STEEL, PASSIVATED	PLTD. GOLD (10µ-in MIN) OVER NICKEL (100µ-in MIN)	BULK (100 COUNT)
73251-6530	PLTD. GOLD (1µ-in MIN) OVER NICKEL (50µ-in MIN)	STAINLESS STEEL, PASSIVATED	PLTD. GOLD (30µ-in MIN) OVER NICKEL (100µ-in MIN)	BULK (100 COUNT)
73251-0059	PLTD. GOLD (1µ-in MIN) OVER NICKEL (50µ-in MIN)	BRASS, PLTD. GOLD(1µ-in MIN) OVER NICKEL(50µ-in MIN)	PLTD. GOLD (10µ-in MIN) OVER NICKEL (100µ-in MIN)	BULK (100 COUNT)
73251-0058	PLTD. GOLD (30µ-in MIN) OVER NICKEL (100µ-in MIN)	STAINLESS STEEL, PASSIVATED	PLTD. GOLD (30µ-in MIN) OVER NICKEL (100µ-in MIN)	73251-0053 BULK PACK (100 PC)
73251-0057	PLTD. GOLD (10µ-in MIN) OVER NICKEL (100µ-in MIN)	STAINLESS STEEL, PASSIVATED	PLTD. GOLD (30µ-in MIN) OVER NICKEL (100µ-in MIN)	73251-0051 BULK PACK (100 PC)
73251-0056	PLTD. GOLD (8µ-in MIN) OVER NICKEL (80µ-in MIN)	STEEL PLTD. GOLD(8µ-in MIN) OVER NICKEL (80µ-in MIN)	PLTD. GOLD (8µ-in MIN) OVER NICKEL (80µ-in MIN)	BULK (100 COUNT)
73251-0055	PLTD. GOLD (10µ-in MIN) OVER NICKEL (100µ-in MIN)	BRASS, PLTD. GOLD(1µ-in MIN) OVER NICKEL(50µ-in MIN)	PLTD. GOLD (30µ-in MIN) OVER NICKEL (100µ-in MIN)	BULK (100 COUNT)
73251-0054	PLTD. GOLD (10µ-in MIN) OVER NICKEL (100µ-in MIN)	BRASS, PLTD. GOLD(1µ-in MIN) OVER NICKEL(50µ-in MIN)	PLTD. GOLD (30µ-in MIN) OVER NICKEL (100µ-in MIN)	INDIVIDUAL BAGS
73251-0053	PLTD. GOLD (30µ-in MIN) OVER NICKEL (100µ-in MIN)	STAINLESS STEEL, PASSIVATED	PLTD. GOLD (30µ-in MIN) OVER NICKEL (100µ-in MIN)	INDIVIDUAL BAGS
73251-0052	PLTD. GOLD (10µ-in MIN) OVER NICKEL (100µ-in MIN)	STAINLESS STEEL, PASSIVATED	PLTD. GOLD (30µ-in MIN) OVER NICKEL (100µ-in MIN)	73251-0051 BY TRAY (20 CAV.)
73251-0051	PLTD. GOLD (10µ-in MIN) OVER NICKEL (100µ-in MIN)	STAINLESS STEEL, PASSIVATED	PLTD. GOLD (30µ-in MIN) OVER NICKEL (100µ-in MIN)	INDIVIDUAL BAGS
PART NO.	BODY (FINISH)	COUPLING NUT (MATERIAL AND FINISH)	CONTACT ( FINISH)	PACKAGING

THIS DRAWING CONTAINS INFORMATION THAT IS PROPRIETARY TO MOLEX ELECTRONIC TECHNOLOGIES, LLC AND SHOULD NOT BE USED WITHOUT WRITTEN PERMISSION

SYMBOLS	DIMENSION UNITS	SCALE	CURRENT REV/DESC: REVISED
	IN/MM	NTS	
▽ = 0	GENERAL TOLERANCES (UNLESS SPECIFIED)		EC NO: 607265 DRWN: BSHAH 2018/10/29 CHK'D: SSSHAH 2018/12/17 APPR: AROBERTSON 2018/12/17
▽ = 0	MM	INCH	
▽ = 0	4 PLACES ±	±	INITIAL REVISION: DRWN: TEF 2003/04/02 APPR: JDW 2003/04/02
▽ = 0	3 PLACES ±	± 0.005	
▽ = 0	2 PLACES ±	± 0.13 ± 0.01	DOCUMENT NUMBER: SD-73251-005 DOC TYPE: PSD DOC PART: 001 REVISION: C4
▽ = 0	1 PLACE ±	± 0.25 ±	
▽ = 0	0 PLACES ±	±	MATERIAL NUMBER: SEE TABLE CUSTOMER: [ ] SHEET NUMBER: 1 OF 1
▽ = 0	ANGULAR TOL ±	± 2.0 °	
▽ = 0	DRAFT WHERE APPLICABLE MUST REMAIN WITHIN DIMENSIONS	THIRD ANGLE PROJECTION	DRAWING: C-SIZE
▽ = 0			SERIES: 73251