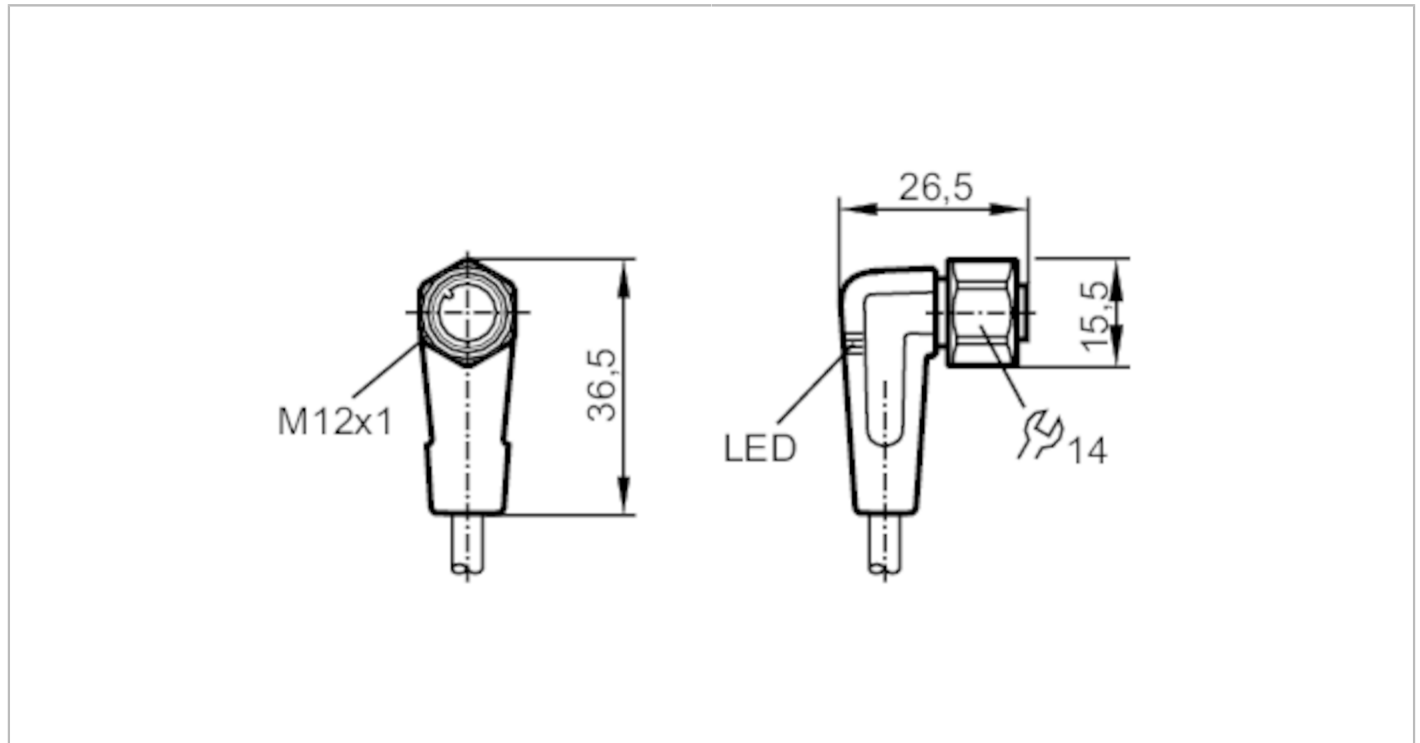




## Connecting cable with socket

ADOAH043VAS0010E04



Application	
Special feature	Free from silicone; Gold-plated contacts; Drag chain suitability
Application	hygienic and wet areas in the food industry
Free from silicone	yes
Electrical data	
Operating voltage [V]	10...36 DC
Protection class	II
Max. current load total [A]	4
Outputs	
Electrical design	PNP
Operating conditions	
Ambient temperature [°C]	-25...100
Note on ambient temperature	cULus: ...50
Ambient temperature (moving) [°C]	5...100
Note on ambient temperature (moving)	cULus: ...50
Protection	IP 65; IP 67; IP 68; IP 69K
Tests / approvals	
MTTF [years]	20027
Mechanical data	
Weight [g]	384.2
Dimensions [mm]	26.5 x 15.5 x 36.5
Materials	housing: PVC black transparent; Sealing: EPDM

# EVT008



## Connecting cable with socket

ADOAH043VAS0010E04

Material nut	stainless steel (316L/1.4404)	
Drag chain suitability	yes	
Drag chain suitability	bending radius for flexible use	min. 10 x cable diameter
	travel speed	max. 3.3 m/s for a horizontal travel length of 5 m and max. acceleration of 5 m/s <sup>2</sup>
	bending cycles	> 1 Mio.
	torsional strain	± 180 °/m

### Displays / operating elements

Display	switching status	2 x LED, yellow
	operation	1 x LED, green

### Remarks

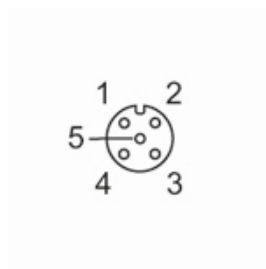
Pack quantity	1 pcs.
---------------	--------

### Electrical connection

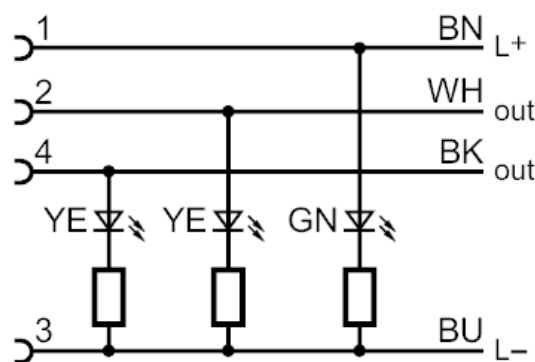
Cable: 10 m, PVC, orange, Ø 4.9 mm; 4 x 0.34 mm<sup>2</sup> (42 x Ø 0.1 mm )

### Electrical connection - socket

Connector: 1 x M12, angled; coding: A; Locking: stainless steel (316L/1.4404); Contacts: gold-plated; Tightening torque: 0.6...1.5 Nm



### Connection



	Core colours :
BK =	black
BN =	brown
BU =	blue
WH =	white