

KGG-MC 1,5/ 3 - Cable housing

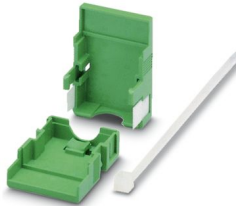


1834356

<https://www.phoenixcontact.com/us/products/1834356>

Please be informed that the data shown in this PDF document is generated from our online catalog. Please find the complete data in the user documentation. Our general terms of use for downloads are valid.

Cable housing, product range: KGG-MC 1,5, width: 14.5 mm



Commercial data

Item number	1834356
Packing unit	10 pc
Minimum order quantity	10 pc
Sales key	AA08
Product key	AAHZDB
Catalog page	Page 242 (C-1-2013)
GTIN	4017918051877
Weight per piece (including packing)	3.95 g
Weight per piece (excluding packing)	3.125 g
Customs tariff number	39269097
Country of origin	PL

KGG-MC 1,5/ 3 - Cable housing



1834356

<https://www.phoenixcontact.com/us/products/1834356>

Technical data

Product properties

Product type	Cable housing
Product family	KGG-MC 1,5
Number of positions	3
Pitch	3.81 mm

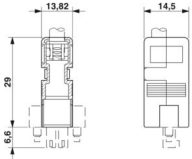
Data management status

Article revision	02
------------------	----

Material specifications

Flammability rating according to UL 94	HB
--	----

Dimensions

Dimensional drawing	
Width	14.5 mm
Height	35.6 mm
Pitch	3.81 mm

KGG-MC 1,5/ 3 - Cable housing

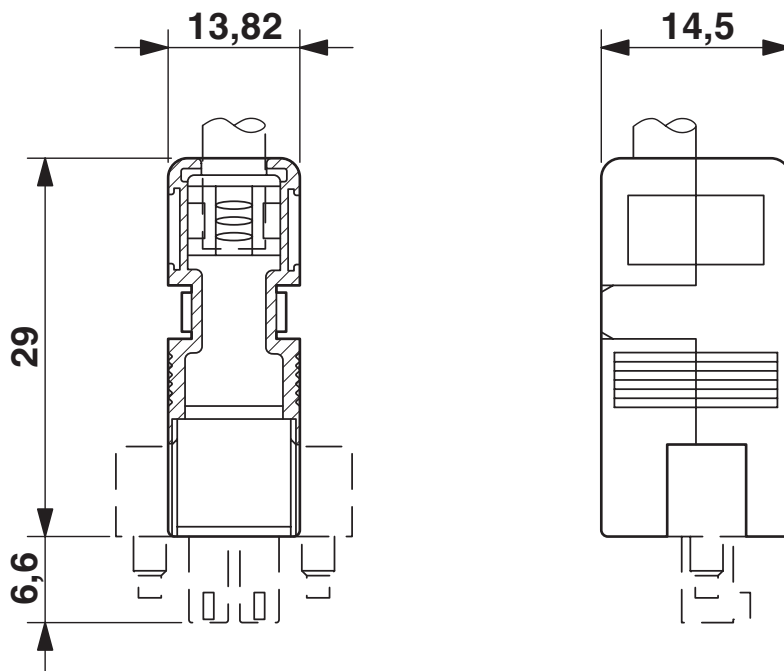
1834356

<https://www.phoenixcontact.com/us/products/1834356>



Drawings

Dimensional drawing



KGG-MC 1,5/ 3 - Cable housing



1834356

<https://www.phoenixcontact.com/us/products/1834356>

Classifications

ECLASS

ECLASS-11.0	27460402
ECLASS-12.0	27460402
ECLASS-13.0	27460402

ETIM

ETIM 9.0	EC002943
----------	----------

UNSPSC

UNSPSC 21.0	39121400
-------------	----------

KGG-MC 1,5/ 3 - Cable housing



1834356

<https://www.phoenixcontact.com/us/products/1834356>

Environmental product compliance

EU RoHS

Fulfills EU RoHS substance requirements	Yes, No exemptions
---	--------------------

China RoHS

Environment friendly use period (EFUP)	EFUP-E
	No hazardous substances above the limits

EU REACH SVHC

REACH candidate substance (CAS No.)	No substance above 0.1 wt%
-------------------------------------	----------------------------

EF3.0 Climate Change

CO2e kg	0.037 kg CO2e
---------	---------------

Phoenix Contact 2024 © - all rights reserved
<https://www.phoenixcontact.com>

Phoenix Contact USA
586 Fulling Mill Road
Middletown, PA 17057, United States
(+717) 944-1300
info@phoenixcon.com