

# Printed-circuit board connector - DFK-PC 5/ 2-G-7,62 - 1727582

Please be informed that the data shown in this PDF Document is generated from our Online Catalog. Please find the complete data in the user's documentation. Our General Terms of Use for Downloads are valid (<http://phoenixcontact.com/download>)

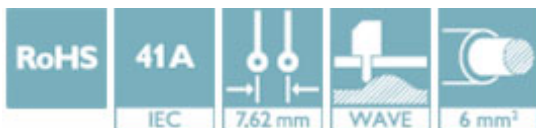
Feed-through header, nominal current: 41 A, number of positions: 2, pitch: 7.62 mm, color: green, contact surface: Tin, mounting: Wave soldering



The figure shows a 5-pos. version of the product

## Your advantages

- Well-known mounting principle allows worldwide use
- Flange system enables secure fixing to the housing panel by means of tool-free snap-in locking or screws



## Key Commercial Data

Packing unit	10 pc
GTIN	
GTIN	4046356134613

## Technical data

### Dimensions

Length [ l ]	41.65 mm
Width	40.74 mm
Pitch	7.62 mm
Dimension a	7.62 mm
Width [ w ]	40.74 mm
Height [ h ]	21.1 mm
Height	19.54 mm
Length of the solder pin	4.9 mm
Pin dimensions	1 x 0.8 mm
Pin spacing	7.62 mm
Length	41.65 mm

### General

# Printed-circuit board connector - DFK-PC 5/ 2-G-7,62 - 1727582

## Technical data

### General

Range of articles	DFK-PC 5/...-G
Insulating material group	I
Rated surge voltage (III/3)	6 kV
Rated surge voltage (III/2)	6 kV
Rated surge voltage (II/2)	6 kV
Rated voltage (III/3)	500 V
Rated voltage (III/2)	630 V
Rated voltage (II/2)	800 V
Connection in acc. with standard	EN-VDE
Nominal current $I_N$	41 A
Maximum load current	41 A
Insulating material	PA
Flammability rating according to UL 94	V0
Color	green
Number of positions	2

### Standards and Regulations

Connection in acc. with standard	EN-VDE
	CUL
Flammability rating according to UL 94	V0

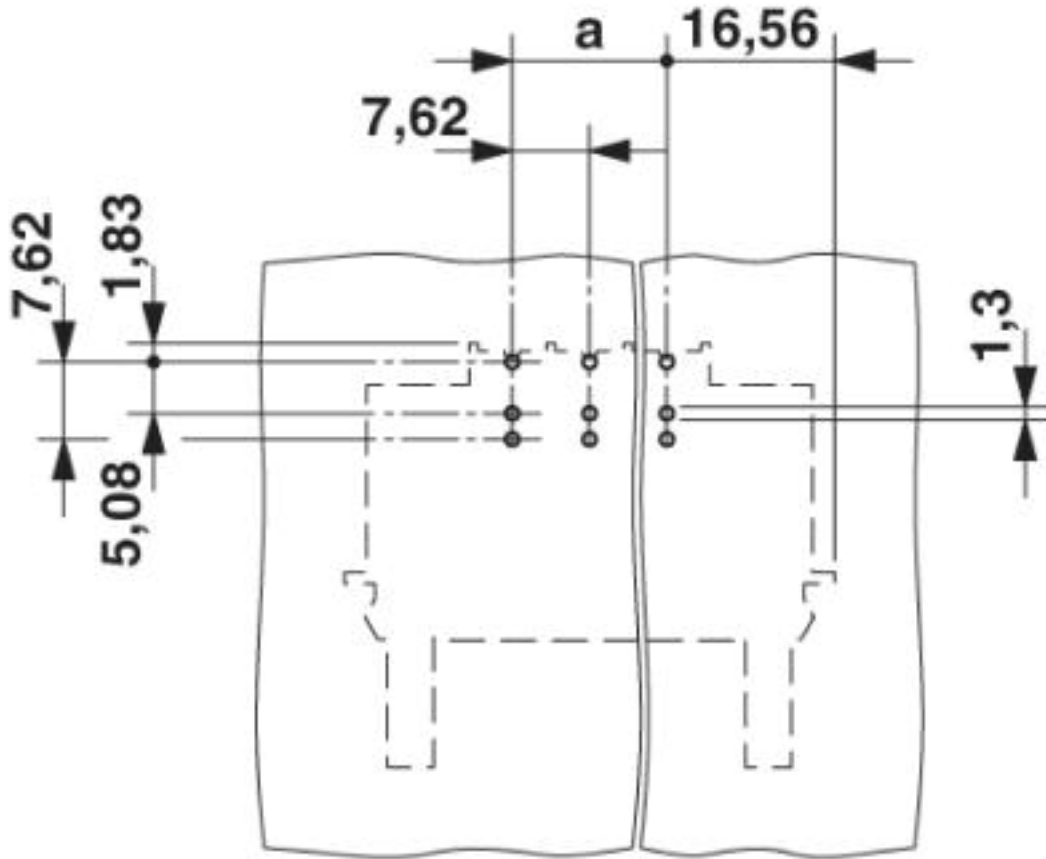
### Environmental Product Compliance

China RoHS	Environmentally friendly use period: unlimited = EFUP-e
	No hazardous substances above threshold values

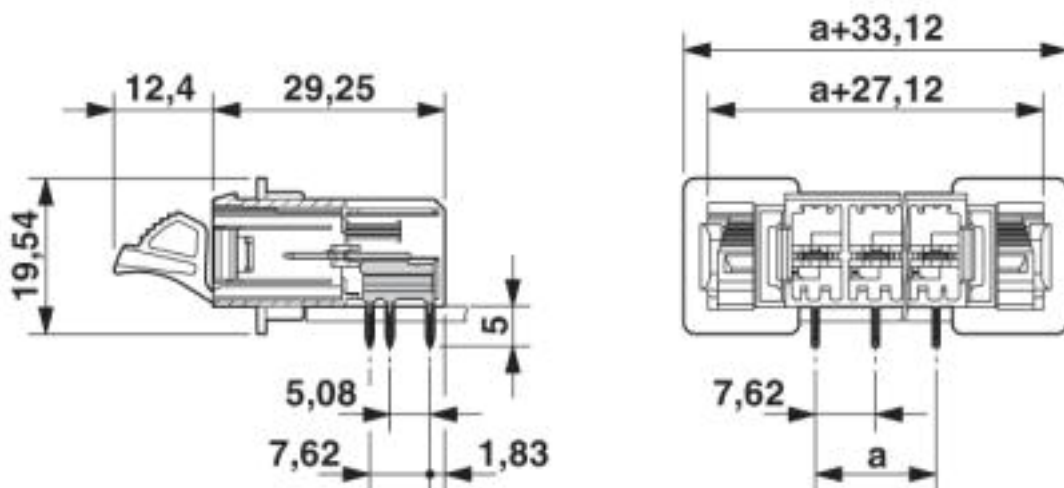
## Drawings

# Printed-circuit board connector - DFK-PC 5/ 2-G-7,62 - 1727582

Drilling diagram

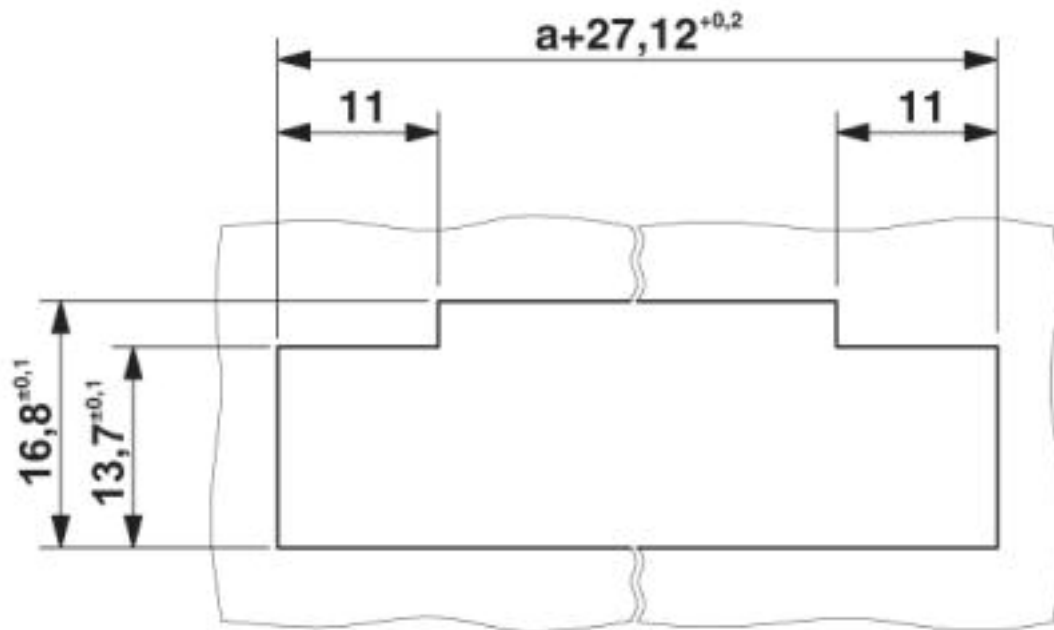


Dimensional drawing



# Printed-circuit board connector - DFK-PC 5/ 2-G-7,62 - 1727582

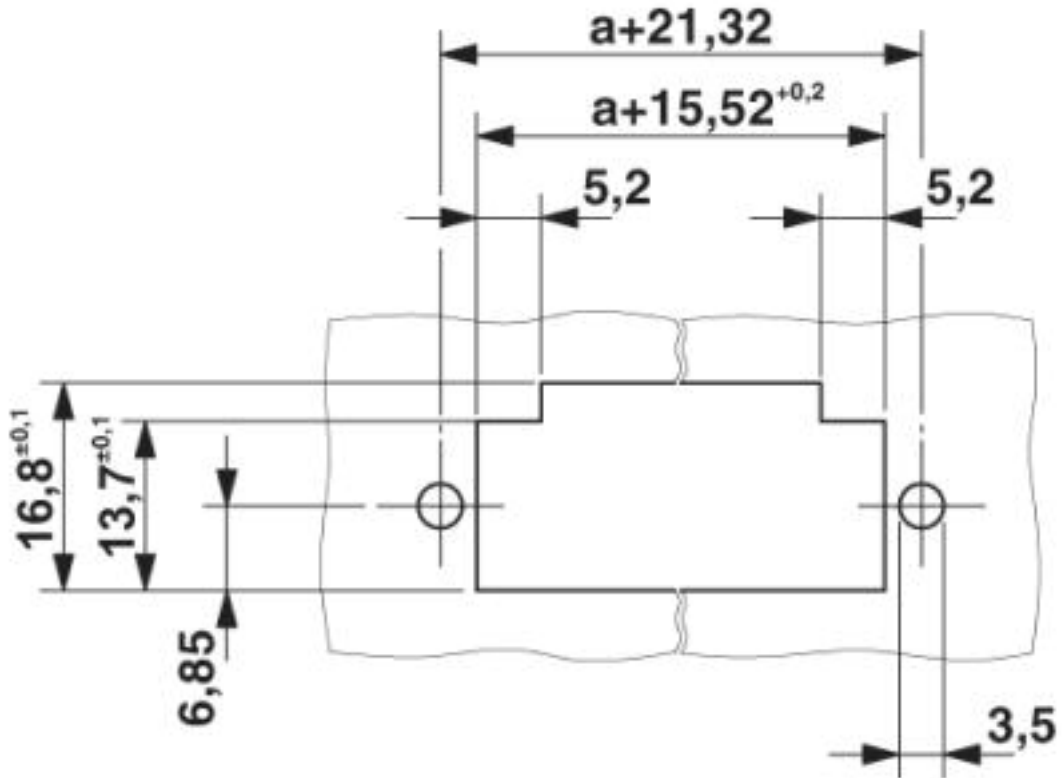
Dimensional drawing



Sheet metal cutout for snap-on.

# Printed-circuit board connector - DFK-PC 5/ 2-G-7,62 - 1727582

Dimensional drawing



Sheet metal cutout for screw connection.

## Approvals

Approvals

Approvals

EAC / cULus Recognized


Ex Approvals

## Approval details

EAC		B.01742
-----	--	---------

# Printed-circuit board connector - DFK-PC 5/ 2-G-7,62 - 1727582

## Approvals

cULus Recognized		<a href="http://database.ul.com/cgi-bin/XYV/template/LISEXT/1FRAME/index.htm">http://database.ul.com/cgi-bin/XYV/template/LISEXT/1FRAME/index.htm</a> E60425-19920722	
	B	C	D
Nominal voltage UN	300 V	150 V	300 V
Nominal current IN	41 A	41 A	10 A

Phoenix Contact 2019 © - all rights reserved  
<http://www.phoenixcontact.com>

PHOENIX CONTACT GmbH & Co. KG  
Flachsmarktstr. 8  
32825 Blomberg  
Germany  
Tel. +49 5235 300  
Fax +49 5235 3 41200  
<http://www.phoenixcontact.com>