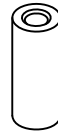
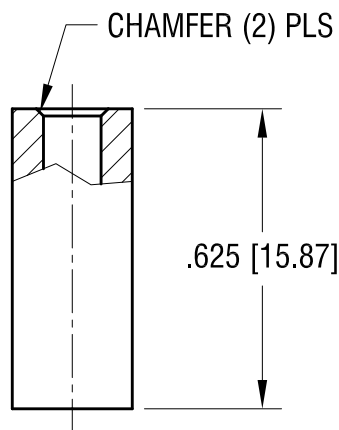
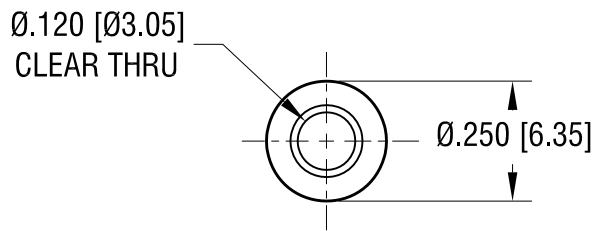


THIS DOCUMENT IS THE PROPERTY OF
KEYSTONE ELECTRONICS CORP. AND
SHALL NOT BE REPRODUCED, DISTRIBUTED
OR USED AS A BASIS FOR MANUFACTURE
WITHOUT PRIOR WRITTEN PERMISSION
FROM KEYSTONE ELECTRONICS CORP.



ACTUAL SIZE



KEYSTONE ELECTRONICS CORP.

www.keyelco.com • NEW HYDE PARK NY 11040 • Tel (516)328-7500

PART NAME

CLEAR THRU-HOLLE SPACER

MATERIAL

LEAD FREE ALUMINUM

FINISH

CLEAR IRIDITE

DRN BY

BOONE

DATE

2.13.98

APP'D

RH

SCALE

2.5X

10.12.23 CHANGE AS PER ECN 23-197

A

TOLERANCES

INCH [MM]

CODE

DWG NO.

DECIMAL ± .005 [± 0.13]

C

ANGULAR ± 1°
UNLESS OTHERWISE SPECIFIED

2314

DATE

DESCRIPTION

REV.