

注)
NOTES

1. 材 質
MATERIAL
ガラス入りポリカーボネイト樹脂 UL94V-0 色:SEE TABLE
POLYCARBONATE G.F. UL94V-0 COLOR : SEE TABLE
2. 適用プラグカバーA ASS'Y : 54181-061*
APPLICABLE PLUG COVER A ASS'Y : 54181-061*

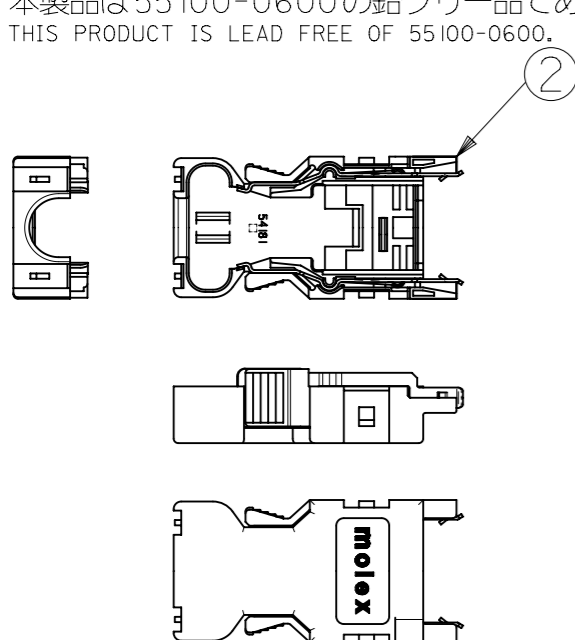
BLACK	54182-0606	54182-060*
GRAY	54182-0605	
COLOR	MATERIAL No.	MODEL No.

THIS DRAWING CONTAINS INFORMATION THAT IS PROPRIETARY TO MOLEX ELECTRONIC TECHNOLOGIES, LLC AND SHOULD NOT BE USED WITHOUT WRITTEN PERMISSION									
DIMENSION UNITS mm		SCALE 4:1		CURRENT REV DESC:				molex	
GENERAL TOLERANCES (UNLESS SPECIFIED)		EC NO: 627599		DRWN: KTAKEUCHI01 2019/10/02		2.0 I/O CONN. PLUG MOLD COVER B			
ANGULAR TOL ± 1.0°		4 PLACES ± 0.2		CHK'D: TKON 2019/11/19		PRODUCT CUSTOMER DRAWING		DOCUMENT NUMBER	
3 PLACES ± 0.2		2 PLACES ± 0.2		APPR: ASHIMOTSU 2019/11/19		INITIAL REVISION:		SD-54182-0605	
1 PLACE ± 0.2		0 PLACES ± 0.2		DRWN: RFC_PLMIMP 2017/12/25		DRWN: RFC_PLMIMP 2017/12/25		DOC TYPE DOC PART REVISION	
DRAFT WHERE APPLICABLE MUST REMAIN WITHIN DIMENSIONS		THIRD ANGLE PROJECTION		DRAWING		SERIES		MATERIAL NUMBER	
		A3-SIZE		54182		SEE TABLE		CUSTOMER	
				GENERAL MARKET		SHEET NUMBER		1 OF 1	

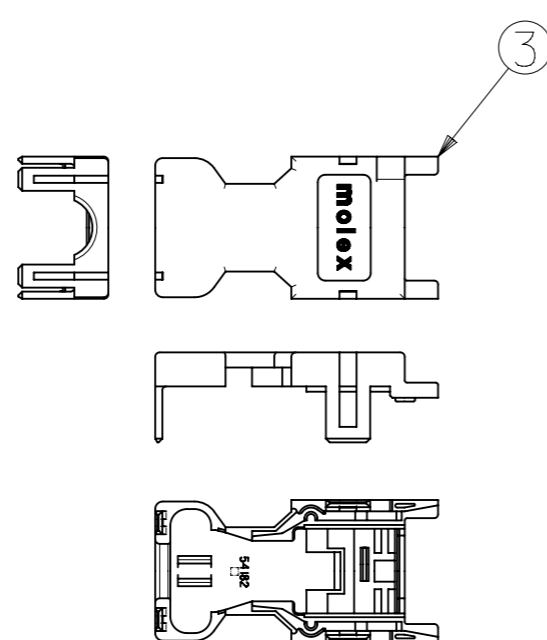
部品構成
PARTS CONSTRUCTION

部番 NO.	部品名 PART NAME	製品番号 ENG. NO.	個数 QUAN.	材質 MATERIAL
①	ハウジングアッセンブリ HOUSING ASS'Y	54180-0619	1	ハウジング：ガラス入り耐熱樹脂 UL94V-0 色：黒 HOUSING : G.F. HEAT RESISTANT PLASTIC UL94V-0 COLOR : BLACK ターミナル：りん青銅 t0.3 TERMINAL : PHOSPHOR BRONZE t0.3 メッキ仕様 接点部：ニッケル下地金メッキ PLATING CONTACT AREA : GOLD OVER NICKEL 結線部：ニッケル下地錫メッキ WIRE TERMINATION AREA : TIN OVER NICKEL
②	カバーA COVER A	54181-0615	1	カバーA：ガラス入りポリカーボネイト樹脂 COVER A : POLYCARBONATE G.F. UL94V-0 色：グレー UL94V-0 COLOR : GRAY スプリングラッチ：ステンレス鋼 t0.4 SPRING LATCH : STAINLESS STEEL t0.4
③	カバーB COVER B	54182-0605	1	ガラス入りポリカーボネイト樹脂 UL94V-0 色：グレー POLYCARBONATE G.F. UL94V-0 COLOR : GRAY
④	シエル カバー SHELL COVER	58299-0626	1	鋼 t0.4 STEEL t0.4
⑤	シエル ボディ SHELL BODY	58300-0626	1	メッキ仕様：ニッケル下地、錫メッキ PLATING : NICKEL BASE, TIN PLATING
⑥	ケーブルクランプ CABLE CLAMP	58303-0000	1	ステンレス鋼 STAINLESS STEEL
⑦	十字穴付きなべ小ネジ CROSS RECESSED PAN HEAD MACHINE SCREW	59832-0009	2	黄銅(ネジサイズ：M2X4) BRASS (SCREW SIZE : M2X4)

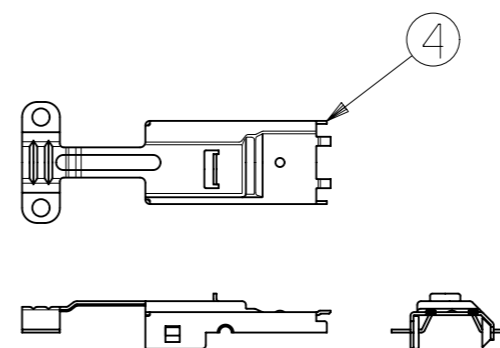
NOTES:
本製品は55100-0600の鉛フリー品である
THIS PRODUCT IS LEAD FREE OF 55100-0600.



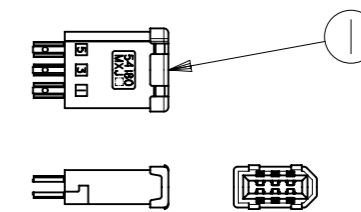
COVER A



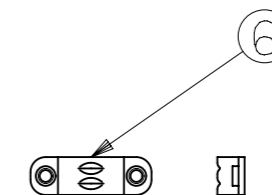
COVER B



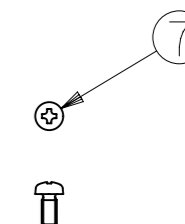
SHELL COVER



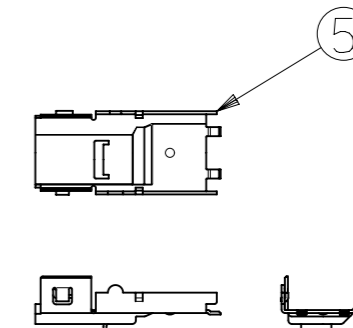
HOUSING ASS'Y



CABLE CLAMP



SCREW



SHELL BODY

GRAY	TRAY & POLY BAG	55100-0680	55100-***0
	POLY BAG	55100-0670	
COVER COLOR	PACKAGE METHOD	MATERIAL No.	MODEL No.

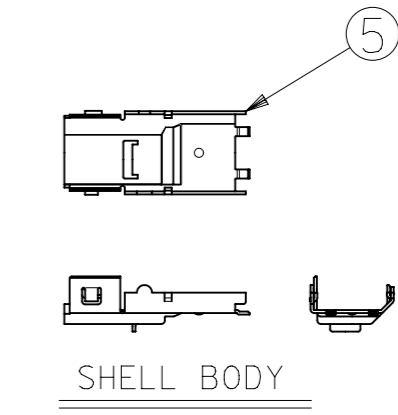
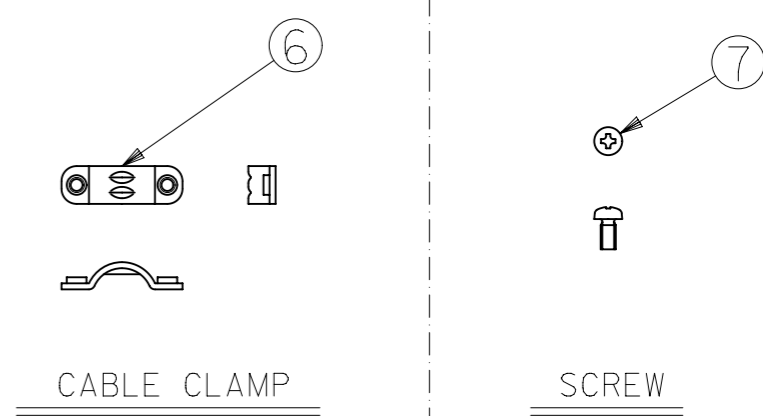
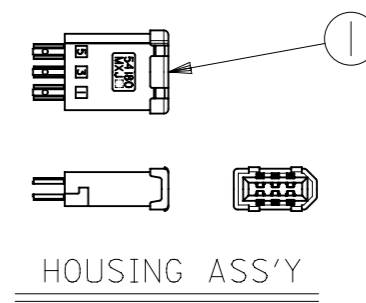
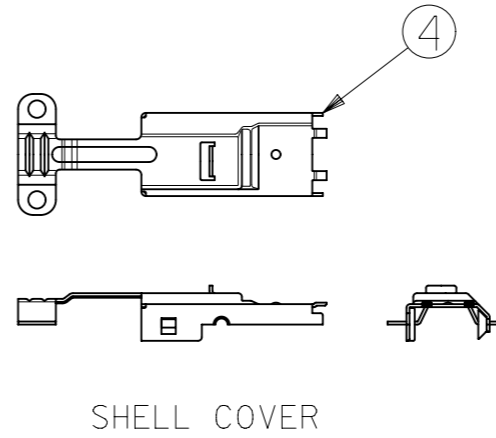
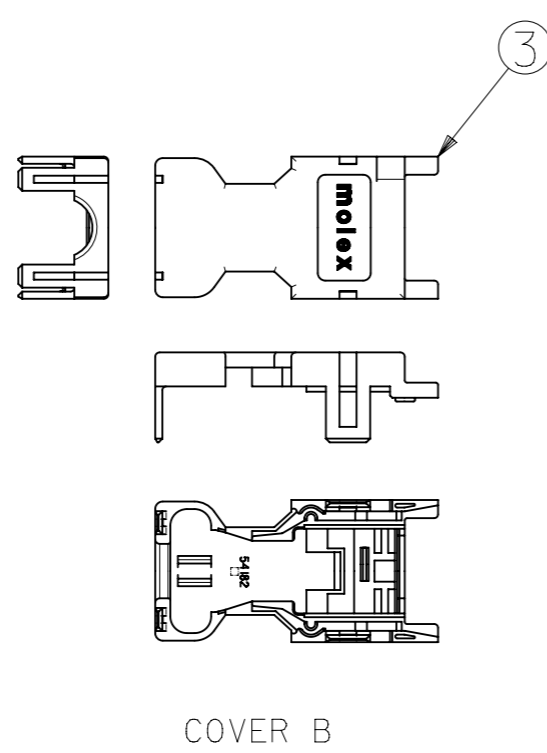
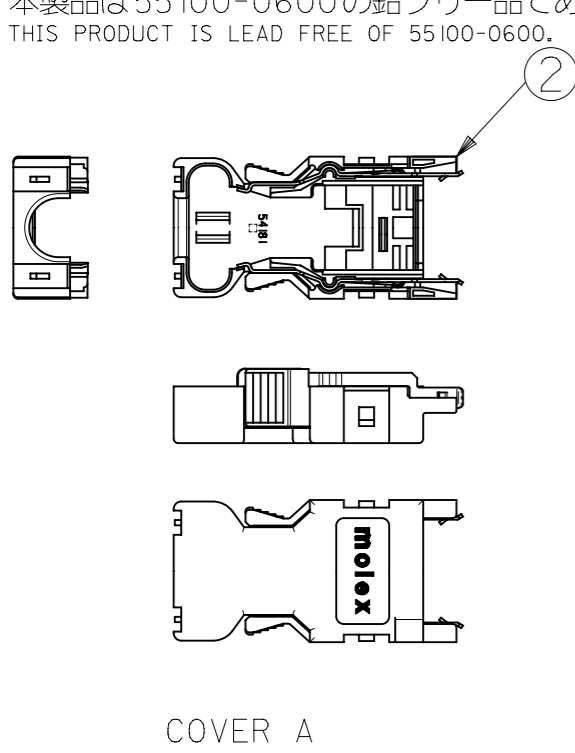
THIS DRAWING CONTAINS INFORMATION THAT IS PROPRIETARY TO MOLEX ELECTRONIC TECHNOLOGIES, LLC AND SHOULD NOT BE USED WITHOUT WRITTEN PERMISSION			
DIMENSION UNITS mm	SCALE NTS	CURRENT REV DESC:	
GENERAL TOLERANCES (UNLESS SPECIFIED)			
ANGULAR TOL	± °		
4 PLACES	±		
3 PLACES	±		
2 PLACES	±		
1 PLACE	±		
0 PLACES	±	EC NO: 627599 DRWN: KTAKEUCHI01 2019/10/02 CHK'D: TKON 2019/11/19 APPR: ASHIMOTSU 2019/11/19 INITIAL REVISION: DRWN: HKAWABATA 2004/05/21 APPR: MSASAO 2004/05/21	
DRAFT WHERE APPLICABLE MUST REMAIN WITHIN DIMENSIONS		THIRD ANGLE PROJECTION	DRAWING
		SERIES	MATERIAL NUMBER
		A3-SIZE	55100
		CUSTOMER	SHEET NUMBER
		GENERAL MARKET	1 OF 2

DOCUMENT NUMBER			DOC TYPE	DOC PART	REVISION
SD-55100-004			PSD	001	C

部品構成
PARTS CONSTRUCTION

部番 NO.	部品名 PART NAME	製品番号 ENG. NO.	個数 QUAN.	材質 MATERIAL
①	ハウジングアッセンブリ HOUSING ASS'Y	54180-0619	1	ハウジング：ガラス入り耐熱樹脂 UL94V-0 色：黒 HOUSING : G.F. HEAT RESISTANT PLASTIC UL94V-0 COLOR : BLACK ターミナル：りん青銅 t0.3 TERMINAL : PHOSPHOR BRONZE t0.3 メッキ仕様 接点部：ニッケル下地金メッキ PLATING CONTACT AREA : GOLD OVER NICKEL 結線部：ニッケル下地錫メッキ WIRE TERMINATION AREA : TIN OVER NICKEL
②	カバーA COVER A	54181-0616	1	カバーA：ガラス入りポリカーボネイト樹脂 COVER A : POLYCARBONATE G.F. UL94V-0 色：黒 UL94V-0 COLOR : BLACK スプリングラッチ：ステンレス鋼 t0.4 SPRING LATCH : STAINLESS STEEL t0.4
③	カバーB COVER B	54182-0606	1	ガラス入りポリカーボネイト樹脂 UL94V-0 色：黒 POLYCARBONATE G.F. UL94V-0 COLOR : BLACK
④	シエル カバー SHELL COVER	58299-0626	1	鋼 t0.4 STEEL t0.4
⑤	シエル ボディ SHELL BODY	58300-0626	1	メッキ仕様：ニッケル下地、錫メッキ PLATING : NICKEL BASE, TIN PLATING
⑥	ケーブルクランプ CABLE CLAMP	58303-0000	1	ステンレス鋼 STAINLESS STEEL
⑦	十字穴付きなべ小ネジ CROSS RECESSED PAN HEAD MACHINE SCREW	59832-0009	2	黄銅(ネジサイズ：M2X4) BRASS (SCREW SIZE : M2X4)

NOTES:
本製品は55100-0600の鉛フリー品である
THIS PRODUCT IS LEAD FREE OF 55100-0600.



BLACK	POLY BAG	55100-0671	55100-***1
COVER COLOR	PACKAGE METHOD	MATERIAL No.	MODEL No.

THIS DRAWING CONTAINS INFORMATION THAT IS PROPRIETARY TO MOLEX ELECTRONIC TECHNOLOGIES, LLC AND SHOULD NOT BE USED WITHOUT WRITTEN PERMISSION		CURRENT REV DESC:		molex	
DIMENSION UNITS	SCALE	EC NO: 627599			
mm	NTS	DRWN: KTAKEUCHI01 2019/10/02		2.0 I/O CONN.PLUG SET	
GENERAL TOLERANCES (UNLESS SPECIFIED)		CHK'D: TKON 2019/11/19		PRODUCT CUSTOMER DRAWING	
ANGULAR TOL	± °	APPR: ASHIMOTSU 2019/11/19		DOCUMENT NUMBER	
4 PLACES	±	INITIAL REVISION:		SD-55100-004	
3 PLACES	±	DRWN: HKAWABATA 2004/05/21		DOC TYPE	
2 PLACES	±	APPR: MSASAO 2004/05/21		PSD	
1 PLACE	±	MATERIAL NUMBER		DOC PART	
0 PLACES	±	SEE TABLE		001	
DRAFT WHERE APPLICABLE MUST REMAIN WITHIN DIMENSIONS		THIRD ANGLE PROJECTION	DRAWING	SERIES	CUSTOMER
			A3-SIZE	55100	GENERAL MARKET
					SHEET NUMBER
					2 OF 2

DOCUMENT STATUS	P1	RELEASE DATE	2019/11/19	08:11:00
-----------------	----	--------------	------------	----------