



ADP-SMAM-SMAF-T-G

SMA Plug to SMA T Jack Adapter

The ADP-SMAM-SMAF-T-G is an SMA plug to SMA T jack adapter. Operating from 0 Hz to 12 GHz, the ADP-SMAM-SMAF-T-G combines superior performance, compact size, and a convenient threaded mating interface to provide a reliable, easy-to-use adapter. Additionally, all Linx SMA adapters meet RoHS lead free standards and are tested to meet requirements for corrosion resistance, vibration, mechanical and thermal shock.

FEATURES

- 0 to 12 GHz operation
- SMA plug (male socket) connection
 - Gold plated brass body
 - Gold plated brass center contact
- SMA T jack (female socket) connections
 - Gold plated brass body
 - Gold plated phosphor bronze center contact

APPLICATIONS

- Cellular IoT
 - LTE-M (Cat-M1), NB-IoT
- Cellular
 - 5G/4G LTE/3G/2G
- WiFi/WLAN
 - WiFi 6/6E
- GNSS
 - GPS, Galileo, GLONASS, BeiDou, QZSS
- Radar, Satellite Communications, Experimental
- Industrial, Commercial, Enterprise

ORDERING INFORMATION

Part Number	Description
ADP-SMAM-SMAF-T-G	SMA plug (male pin) to SMA T jack (female socket) adapter

Available from Linx Technologies and select distributors and representatives.

TABLE 1. ELECTRICAL SPECIFICATIONS

Parameter	Value	
Impedance	50 Ω	
Frequency Range	0 Hz to 12 GHz	
Contact Resistance	Center: ≤ 3.0 m Ω Outer: ≤ 2.0 m Ω	
Port to Port	Port 2 to Port 1	Port 2 to Port 3
Insertion Loss (dB max.)	3.7	4.1
VSWR (max.)	2.1	2.4

PRODUCT DIMENSIONS

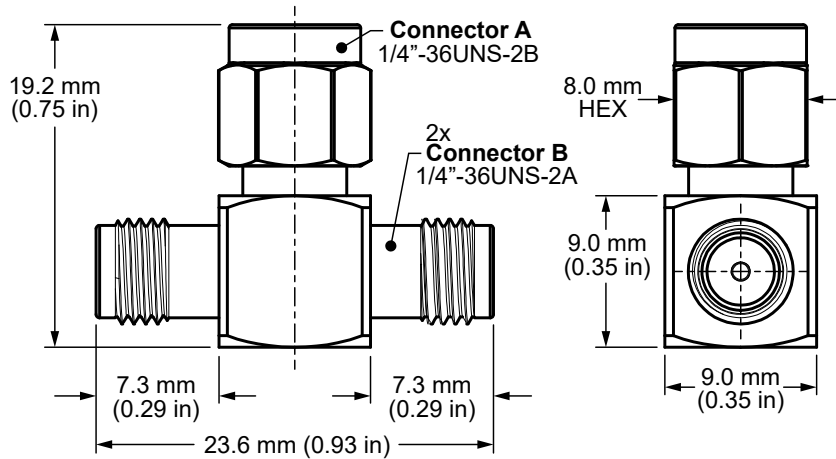


Figure 1. Product Dimensions for the ADP-SMAM-SMAF-T-G Adapter

TABLE 2. ADAPTER COMPONENTS

ADP-SMAM-SMAF-T-G	Connector A SMA plug (male pin)		Connector B SMA jack (female socket)	
	Material	Finish	Material	Finish
Connector Part	Brass	Gold	Brass	Gold
Body	Brass	Gold	Brass	Gold
Center Contact	Brass	Gold	Phosphor bronze	Gold
Insulator	PTFE	-	PTFE	-

TABLE 3. MECHANICAL SPECIFICATIONS

ADP-SMAM-SMAF-T-G	Connector A SMA plug (male pin)	Connector B SMA jack (female socket)
Mounting Type	Inline, Free-hanging	
Fastening Type	1/4\"-36UNS Threaded Coupling	1/4\"-36UNS Threaded Coupling
Interface in Accordance with	MIL-STD-348B	MIL-STD-348B
Recommended Torque	0.57 N·m (5.0 in·lbs)	0.57 N·m (5.0 in·lbs)
Coupling Nut Retention	60 lbs min.	60 lbs min.
Durability	500 cycles min.	500 cycles min.
Weight	9.2 g (0.32 oz)	

TABLE 4. ENVIRONMENTAL SPECIFICATIONS

MIL-STD, Method, Test Condition	
Corrosion (Salt spray)	MIL-STD-202 Method 101 test condition B
Thermal Shock	MIL-STD-202 Method 107 test condition C
Vibration	MIL-STD-202 Method 204 test condition B
Mechanical Shock	MIL-STD-202 Method 213 test condition B
Moisture Resistance	MIL-STD-202 Method 106 test condition D
Temperature Range	-65 °C to +165 °C
Environmental Compliance	RoHS

INSERTION LOSS

Figure 2 shows the Insertion Loss for the ADP-SMAM-SMAF-T-G adapter. Insertion loss is the loss of signal power (gain) resulting from the insertion of a device in a transmission line.

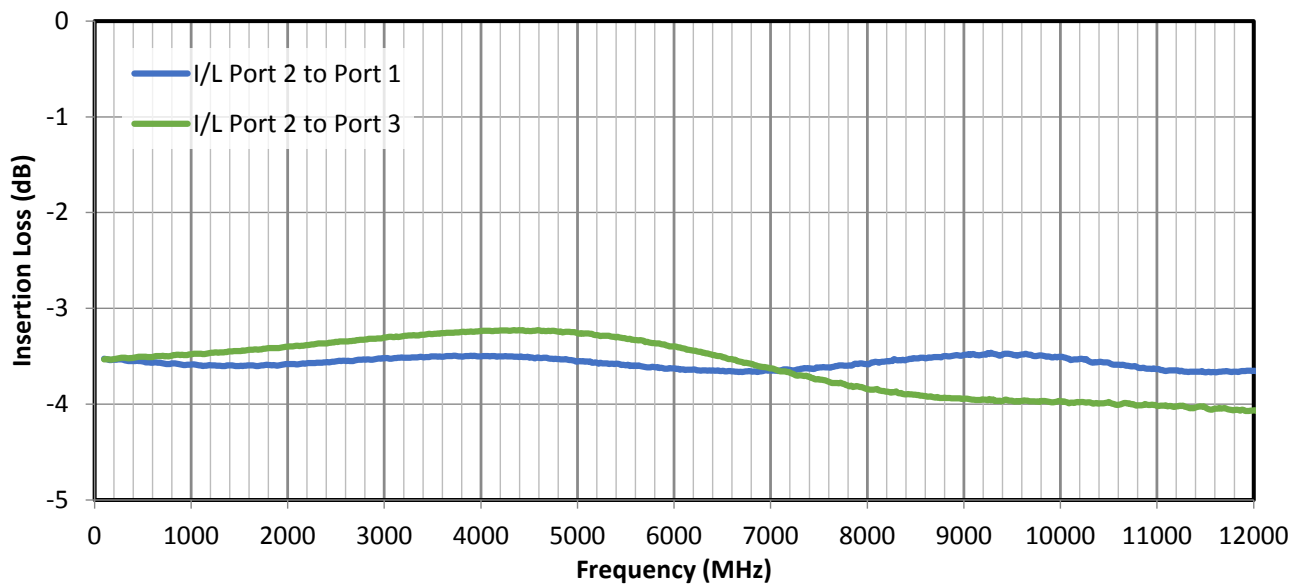


Figure 2. Insertion Loss for the ADP-SMAM-SMAF-T-G Adapter

VSWR

Figure 3 provides the voltage standing wave ratio (VSWR) across the adapter's bandwidth for the ADPSMAM-SMAF-T-G adapter. VSWR describes how efficiently power is transmitted. A lower VSWR value indicates better performance at a given frequency.

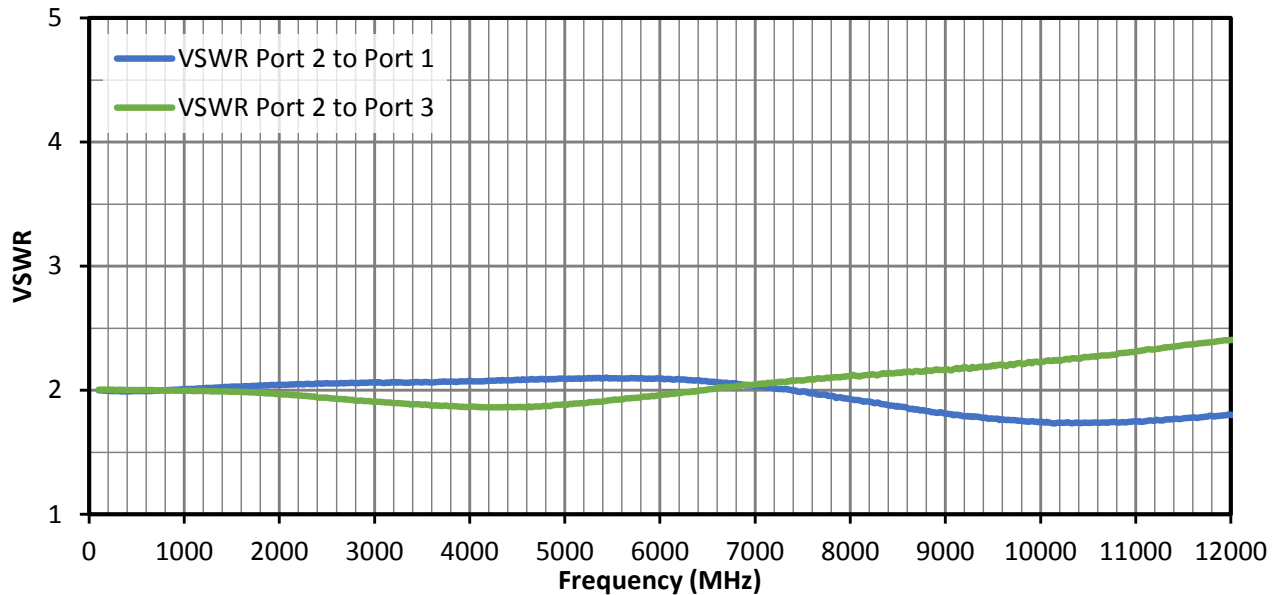


Figure 3. VSWR for the ADP-SMAM-SMAF-T-G Adapter

PACKAGING INFORMATION

The ADP-SMAM-SMAF-T-G adapter is individually placed in a clear polyethylene bag. 25 pcs are packaged in a larger protective bag. 750 pcs are packaged in a shipping carton (370 mm x 330 mm x 240 mm). Distribution channels may offer alternative packaging options.

TE TECHNICAL SUPPORT CENTER

USA:	+1 (800) 522-6752
Canada:	+1 (905) 475-6222
Mexico:	+52 (0) 55-1106-0800
Latin/S. America:	+54 (0) 11-4733-2200
Germany:	+49 (0) 6251-133-1999
UK:	+44 (0) 800-267666
France:	+33 (0) 1-3420-8686
Netherlands:	+31 (0) 73-6246-999
China:	+86 (0) 400-820-6015

te.com

TE Connectivity, TE, TE connectivity (logo), Linx and Linx Technologies are trademarks owned or licensed by the TE Connectivity Ltd. family of companies. All other logos, products and/or company names referred to herein might be trademarks of their respective owners.

The information given herein, including drawings, illustrations and schematics which are intended for illustration purposes only, is believed to be reliable. However, TE Connectivity makes no warranties as to its accuracy or completeness and disclaims any liability in connection with its use. TE Connectivity's obligations shall only be as set forth in TE Connectivity's Standard Terms and Conditions of Sale for this product and in no case will TE Connectivity be liable for any incidental, indirect or consequential damages arising out of the sale, resale, use or misuse of the product. Users of TE Connectivity products should make their own evaluation to determine the suitability of each such product for the specific application.

TE Connectivity warrants to the original end user customer of its products that its products are free from defects in material and workmanship. Subject to conditions and limitations TE Connectivity will, at its option, either repair or replace any part of its products that prove defective because of improper workmanship or materials. This limited warranty is in force for the useful lifetime of the original end product into which the TE Connectivity product is installed. Useful lifetime of the original end product may vary but is not warranted to exceed one (1) year from the original date of the end product purchase.

©2022 TE Connectivity. All Rights Reserved.

12/22 Original