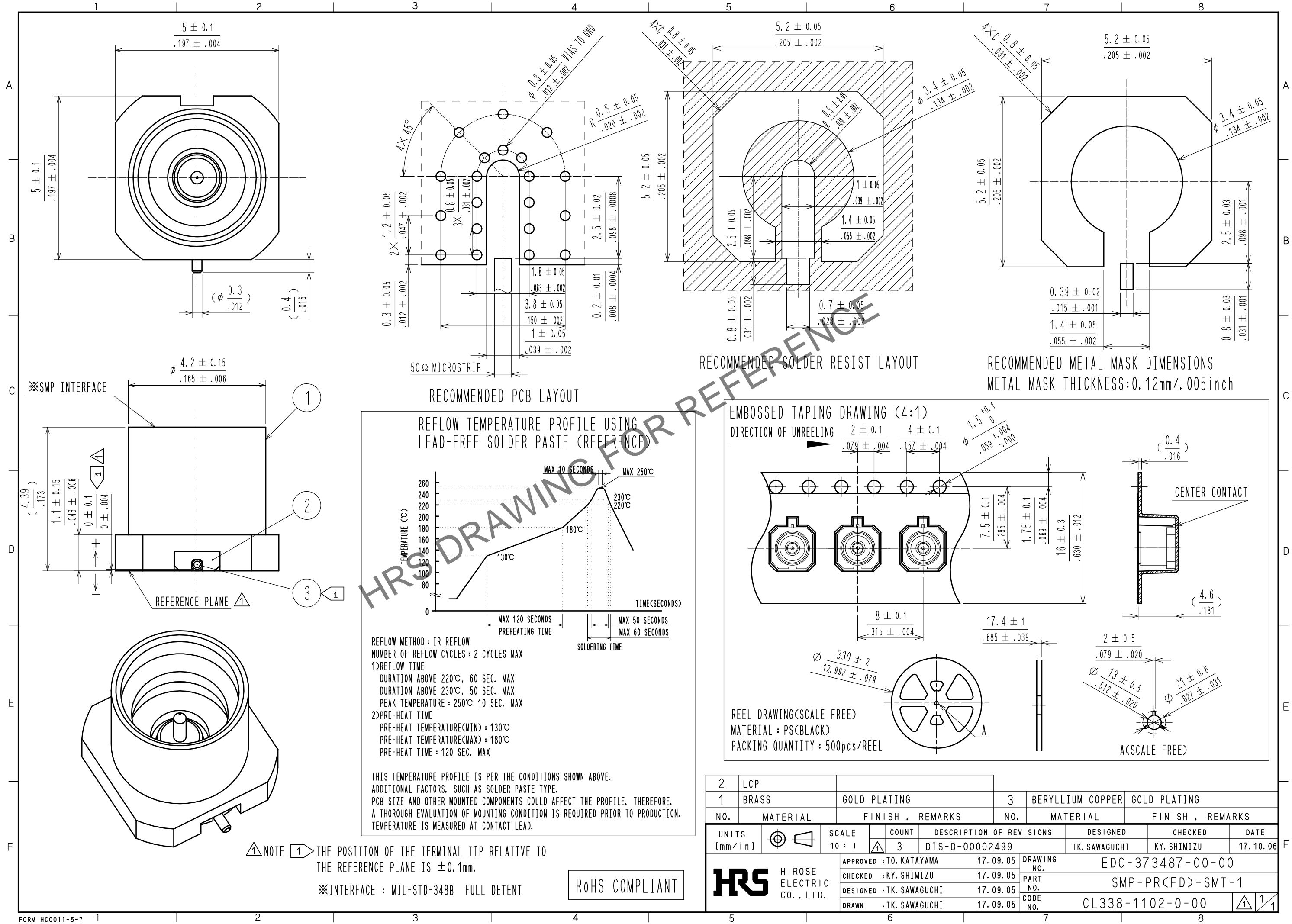
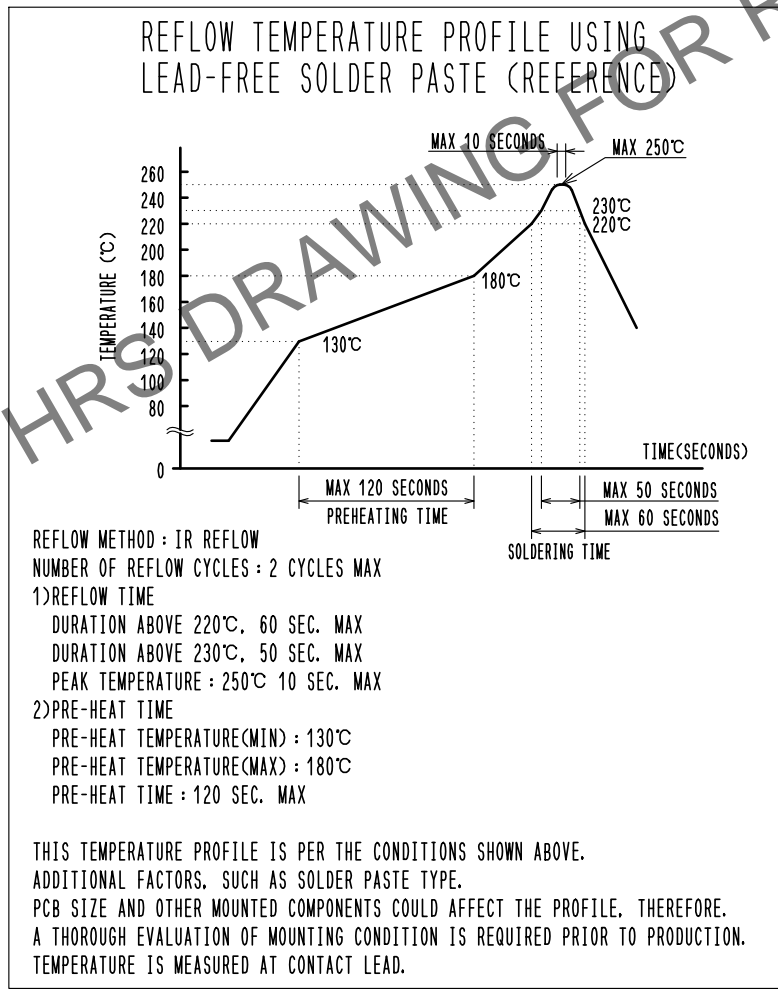


Jun.1.2024 Copyright 2024 HIROSE ELECTRIC CO., LTD. All Rights Reserved.  
 In case of consideration for using Automotive equipment / device which demand high reliability, kindly contact our sales window correspondents.



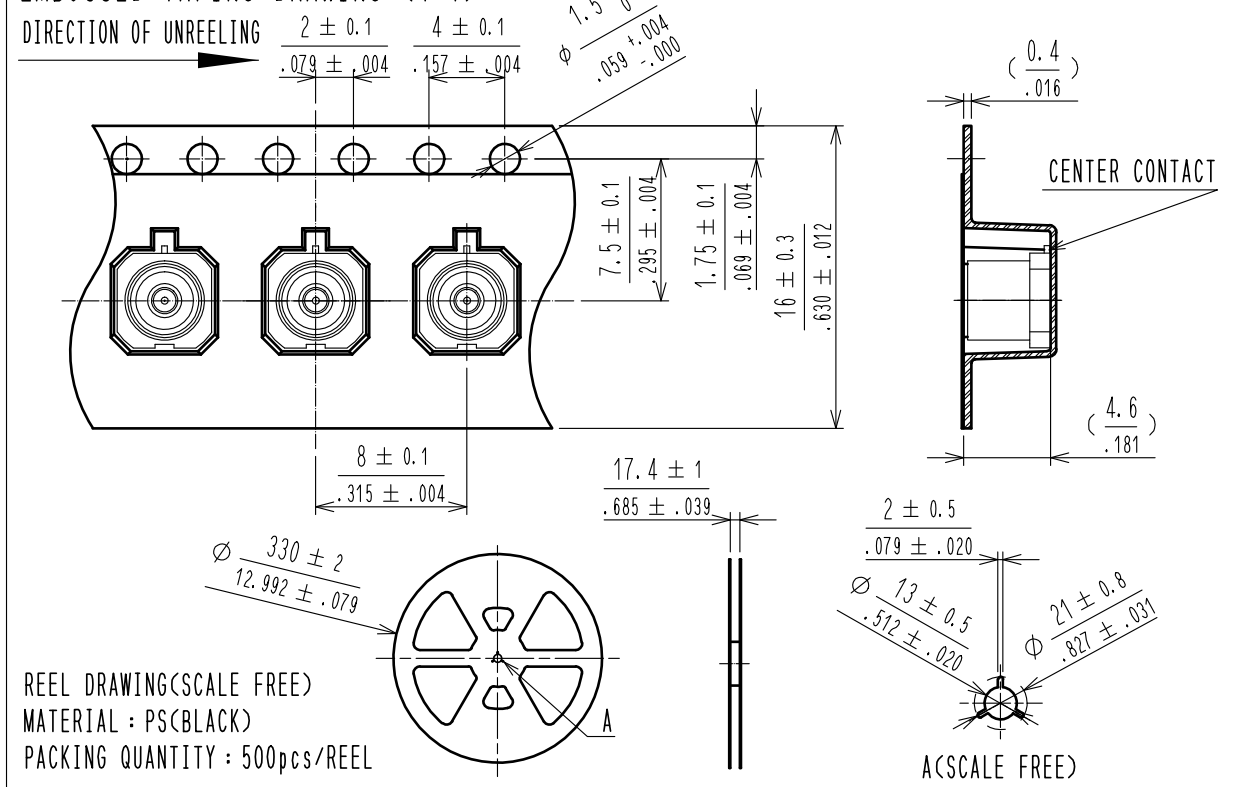
HRS DRAWING FOR REFERENCE



RECOMMENDED SOLDER RESIST LAYOUT

RECOMMENDED METAL MASK DIMENSIONS  
 METAL MASK THICKNESS: 0.12mm / .005 inch

EMBOSSD TAPING DRAWING (4:1)



NOTE 1 THE POSITION OF THE TERMINAL TIP RELATIVE TO THE REFERENCE PLANE IS  $\pm 0.1$ mm.

※INTERFACE : MIL-STD-348B FULL DETENT

ROHS COMPLIANT

2	LCP		3	BERYLLIUM COPPER	GOLD PLATING				
1	BRASS	GOLD PLATING							
NO.	MATERIAL	FINISH	REMARKS	NO.	MATERIAL	FINISH	REMARKS		
UNITS	[mm/in]	SCALE	10 : 1	COUNT	3	DESCRIPTION OF REVISIONS	DESIGNED	CHECKED	DATE
						DIS-D-00002499	TK. SAWAGUCHI	KY. SHIMIZU	17. 10. 06
APPROVED : TO. KATAYAMA		17. 09. 05		DRAWING NO.		EDC-373487-00-00			
CHECKED : KY. SHIMIZU		17. 09. 05		PART NO.		SMP-PR(FD)-SMT-1			
DESIGNED : TK. SAWAGUCHI		17. 09. 05		CODE NO.		CL338-1102-0-00			
DRAWN : TK. SAWAGUCHI		17. 09. 05							