

# Data sheet

## RT045xxUBLCL Typ 205

Page 1/4

P/N  
312051xx

xx=number of poles

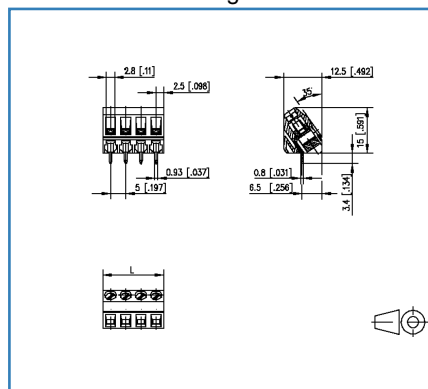
11/07/2018

Version: W

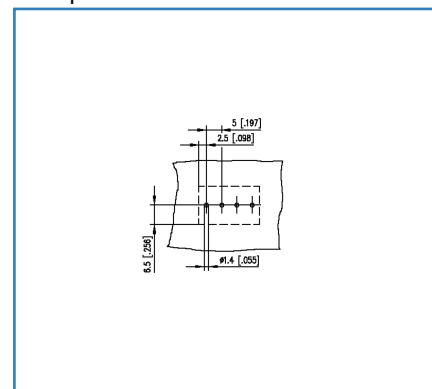
### Illustrations



Dimensional drawing



Drill pattern



See enlarged drawings at the end of document

### Product specification

- screw type terminal block, solderable
- centerline 5.00 mm, direction of connection 55°
- lift system, fittable without loss of poles
- color black

## Technical Data

### General Data


Tightening torque SEV	0.5 Nm		
Tightening torque UL	6 lb-in		
Solder pin length	3.4 mm		
min. number of poles	2		
max. number of poles	24		
Insulating material class	CTI 600		
clearance/creepage dist.	3.2 mm		
Min. insul. strip length	7 mm		
Overvoltage category	III	III	II
Pollution degree	3	2	2
Rated voltage	160 V	400 V	400 V
Rated test voltage	2.5 kV	2.5 kV	2.5 kV


### Connection Data

rat.wiring solid AWGmax	0.34 mm <sup>2</sup> - 2.5 mm <sup>2</sup> / AWG 28 - AWG 12		
rat.wiring strand.AWGmax	0.34 mm <sup>2</sup> - 2.5 mm <sup>2</sup> / AWG 28 - AWG 12		

### Approvals

extended wiring UL	2 AWG 16-18, or 1 AWG 16 stranded with 1 AWG 18 solid, or 1 AWG 16 stranded with 1 AWG 18 stranded		
--------------------	--	--	--

 V / A / 28	300 / 15 / 28 - 12		
--	--------------------	--	--

 2.5 mm <sup>2</sup>	250 V / 2.5 kV / 24 A		
---	-----------------------	--	--

### Material

Glow-Wire Flammability GWFI	960 °C acc. to IEC 60695-2-12		
Glow-Wire Flammability GWIT	775 °C acc. to IEC 60695-2-13		
REACH - substance (SVHC)	Lead / 7439-92-1		

### Climatic Data

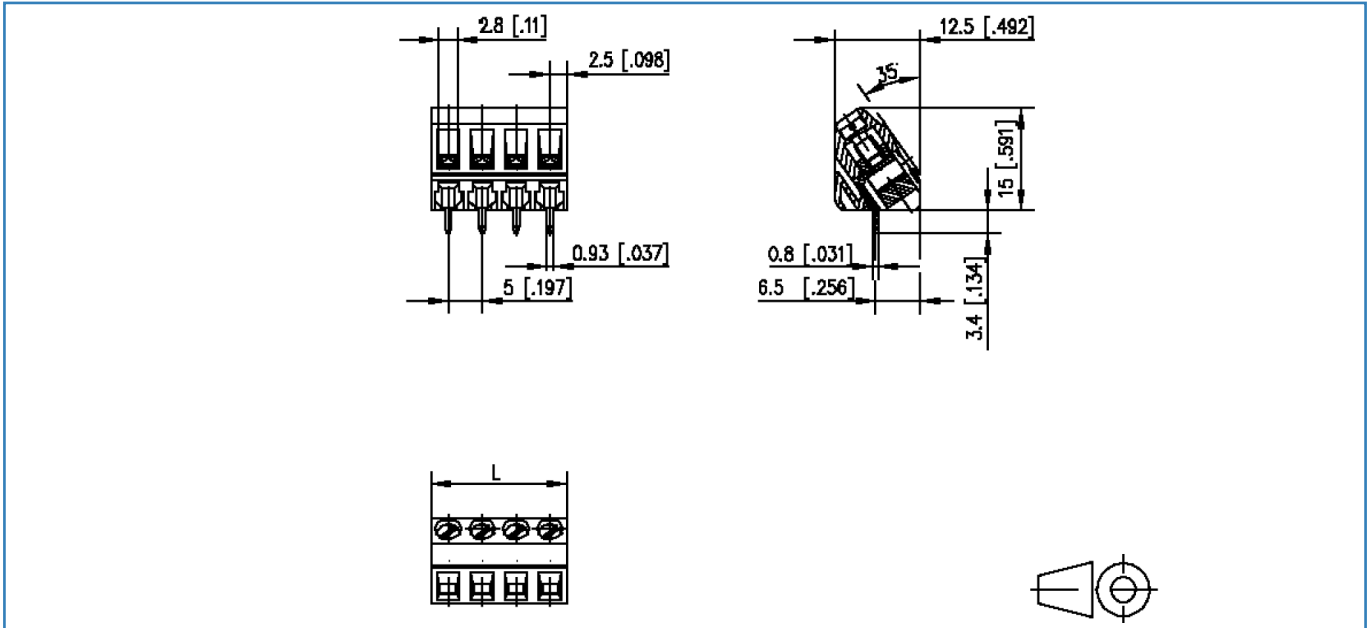
upper limit temperature	105 °C		
lower limit temperature	-40 °C		

### General

solderability	Acc. to JEDEC JESD22-B102E 245°C/5s		
---------------	-------------------------------------	--	--

## Illustrations

Dimensional drawing



$$L = (\text{pole size} - 1) \times \text{centerline} + 5 [0.197]$$

**Data sheet  
RT045xxUBLC Typ 205**

Page 4/4

**P/N  
312051xx****xx=number of poles**

11/07/2018

Version: W

**Illustrations**

## Drill pattern

