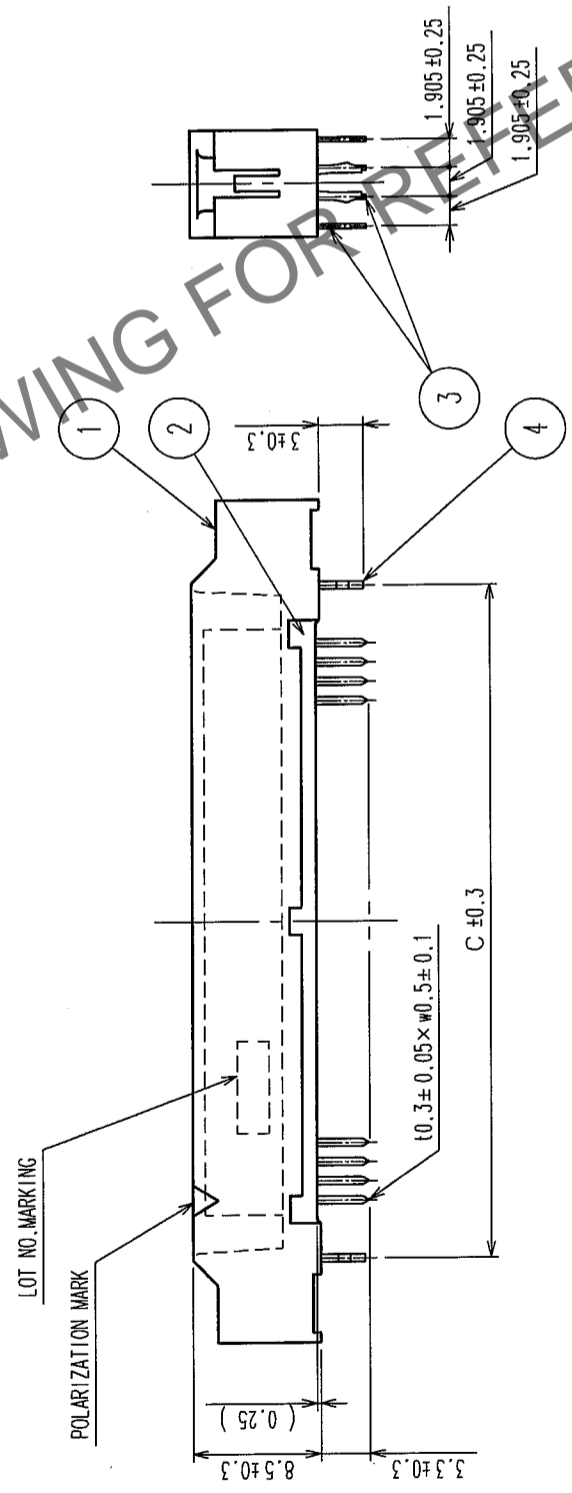
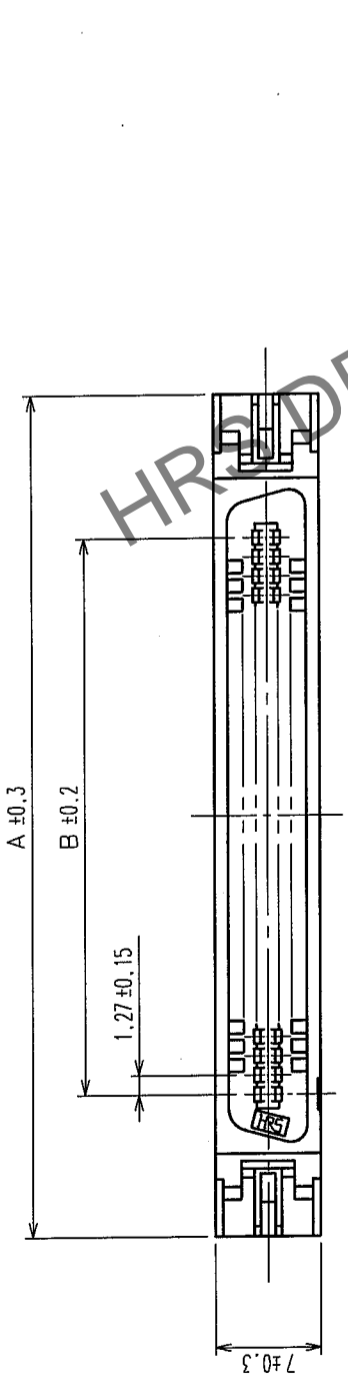
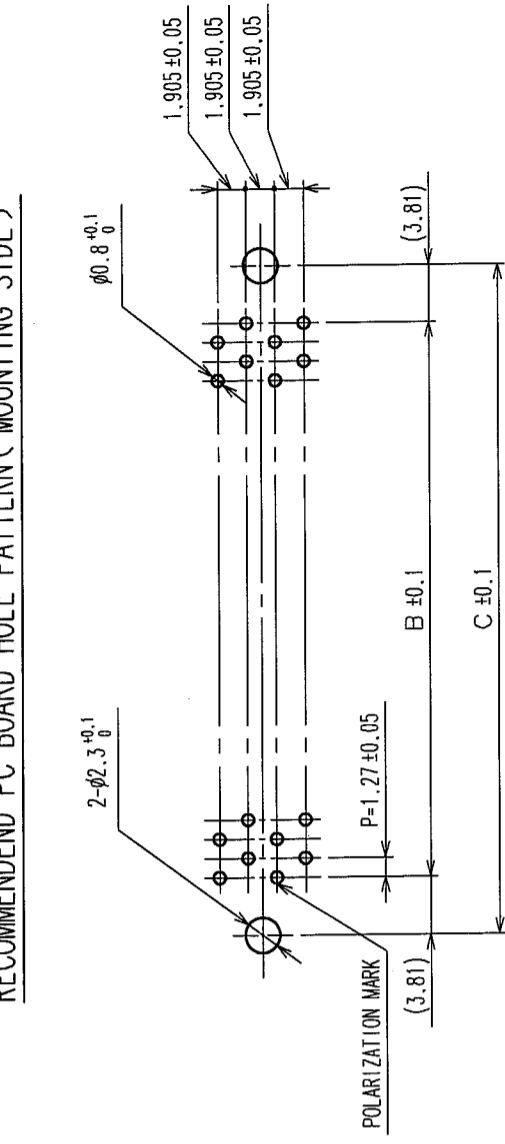


In case of consideration for using Automotive equipment / device which demand high reliability, kindly contact our sales window correspondents.

| COUNT | DESCRIPTION OF REVISIONS | BY | CHKD | DATE | COUNT | DESCRIPTION OF REVISIONS | BY | CHKD | DATE |
|-------|--------------------------|----|------|------|-------|--------------------------|----|------|------|
| △ | | | | | △ | | | | |
| △ | | | | | △ | | | | |
| △ | | | | | △ | | | | |

RECOMMEND PC BOARD HOLE PATTERN (MOUNTING SIDE)



| PART No. | CODE No. | A | B | C |
|--------------------------|-----------------|-----|-------|-------|
| FX2B-40PA-1.27DSAL (71) | CL572-0873-5-71 | 40 | 43.03 | 24.13 |
| FX2B-52PA-1.27DSAL (71) | CL572-0874-8-71 | 52 | 50.65 | 31.75 |
| FX2B-60PA-1.27DSAL (71) | CL572-0875-0-71 | 60 | 55.73 | 36.83 |
| FX2B-68PA-1.27DSAL (71) | CL572-0876-3-71 | 68 | 60.81 | 41.91 |
| FX2B-80PA-1.27DSAL (71) | CL572-0877-6-71 | 80 | 68.43 | 49.53 |
| FX2B-100PA-1.27DSAL (71) | CL572-0878-9-71 | 100 | 81.13 | 62.23 |
| | | | | 69.85 |

NOTES 1. THE DIMENSIONS IN PARENTHESES ARE FOR REFERENCE.
 2. NUMBER OF PIN.

| NO. | MATERIAL | FINISH, | REMARKS | NO. | MATERIAL | FINISH, | REMARKS |
|-----------------|-----------------|-------------|---------|-------------|----------|---------|-------------------------------|
| 4 | PHOSPHOR BRONZE | TIN-PLATING | | 3 | BRASS | | CONTACT AREA: GOLD FLASH |
| 1, 2 | POLYAMIDE | BLACK | UL94V-0 | | | | DIP AREA: TIN-PLATING 2μm min |
| | | | | | | | UNDER PLATING: NICKEL 1μm min |
| CODE NO. (COLD) | | | | DRAWN | | | |
| CL | | | | DESIGNED | | | |
| | | | | K. NAKAMURA | | | |
| | | | | H. OKAWA | | | |
| | | | | 04.06.02 | | | |
| | | | | 04.06.14 | | | |
| | | | | 04.06.14 | | | |

| | | | |
|----------------|--|--------------------|--|
| DRAWING NO. | | PART NO. | |
| EDC3-151043-21 | | FX2B-1.27DSAL (71) | |
| SCALE | | CODE NO. | |
| FREE | | CL572 | |
| UNITS | | | |
| mm | | | |

HRS HIROSE ELECTRIC CO., LTD.

TO
PCK