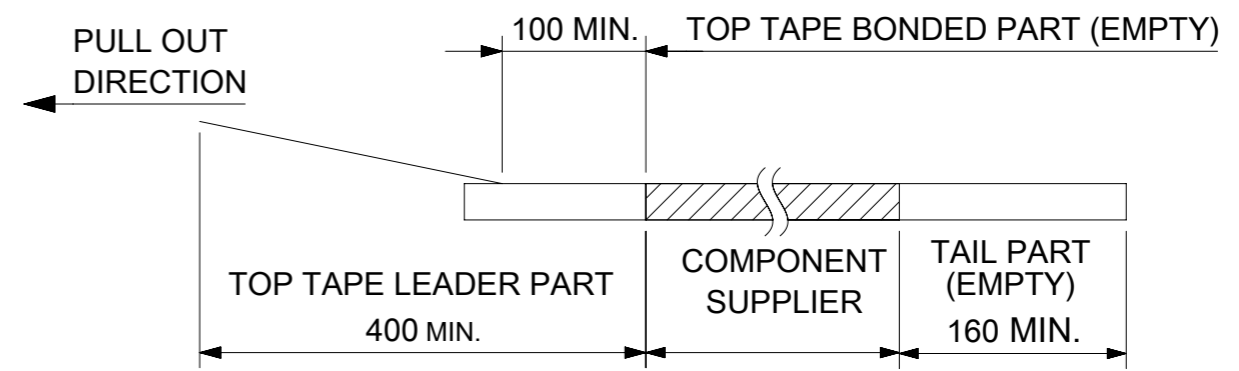
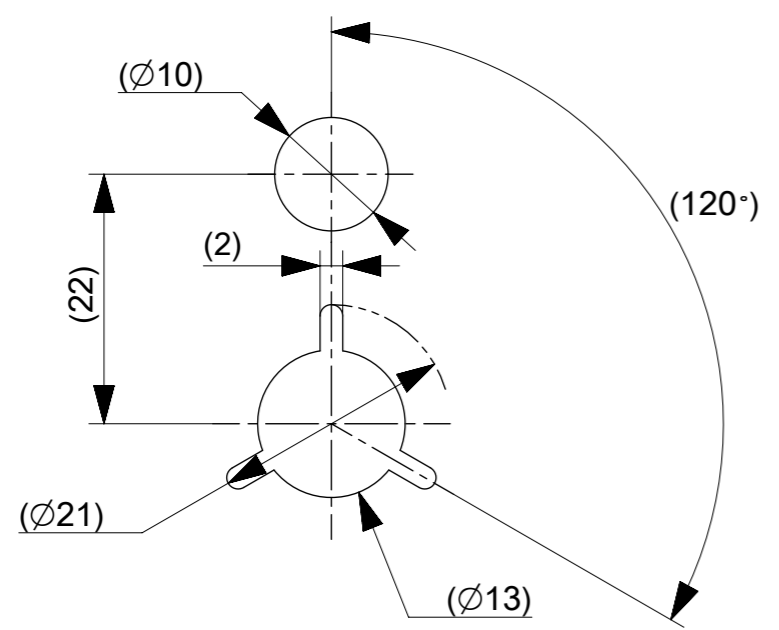


NOTES

1. RE DETAILED DIMENSION, SEE PRODUCT DRAWING.
2. NUMBER OF CONNECTORS : 7000 PCS/REEL
3. LEAD TAPE LENGTH

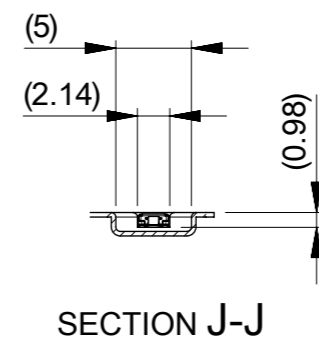
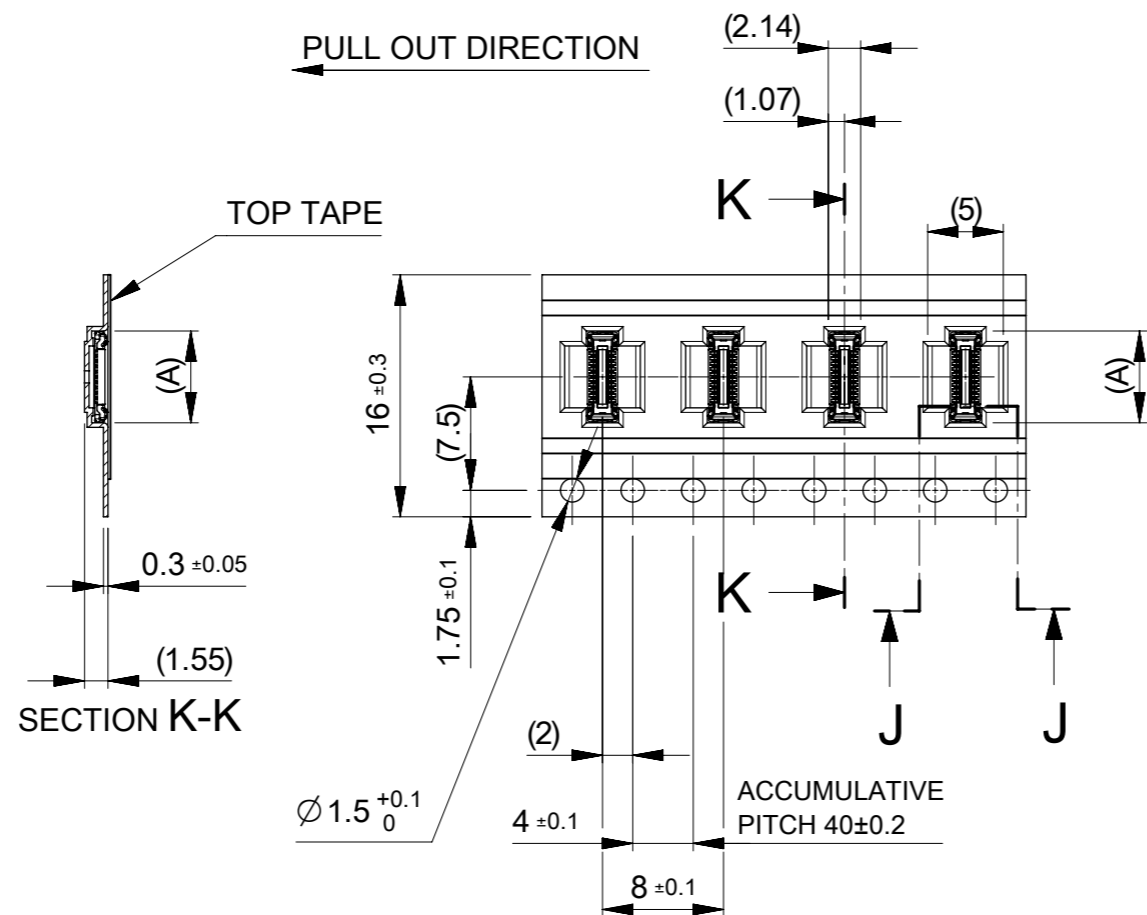


4. TOP TAPE PEEL FORCE IS DEFINED BY IEC60286-3.
5. MATERIAL
CARRIER TAPE : POLYSTYRENE
TOP TAPE : PET , OTHER
REEL : POLYSTYRENE (PS) < RECYCLE MATERIAL CONTAINED >
6. ELV AND RoHS COMPLIANT



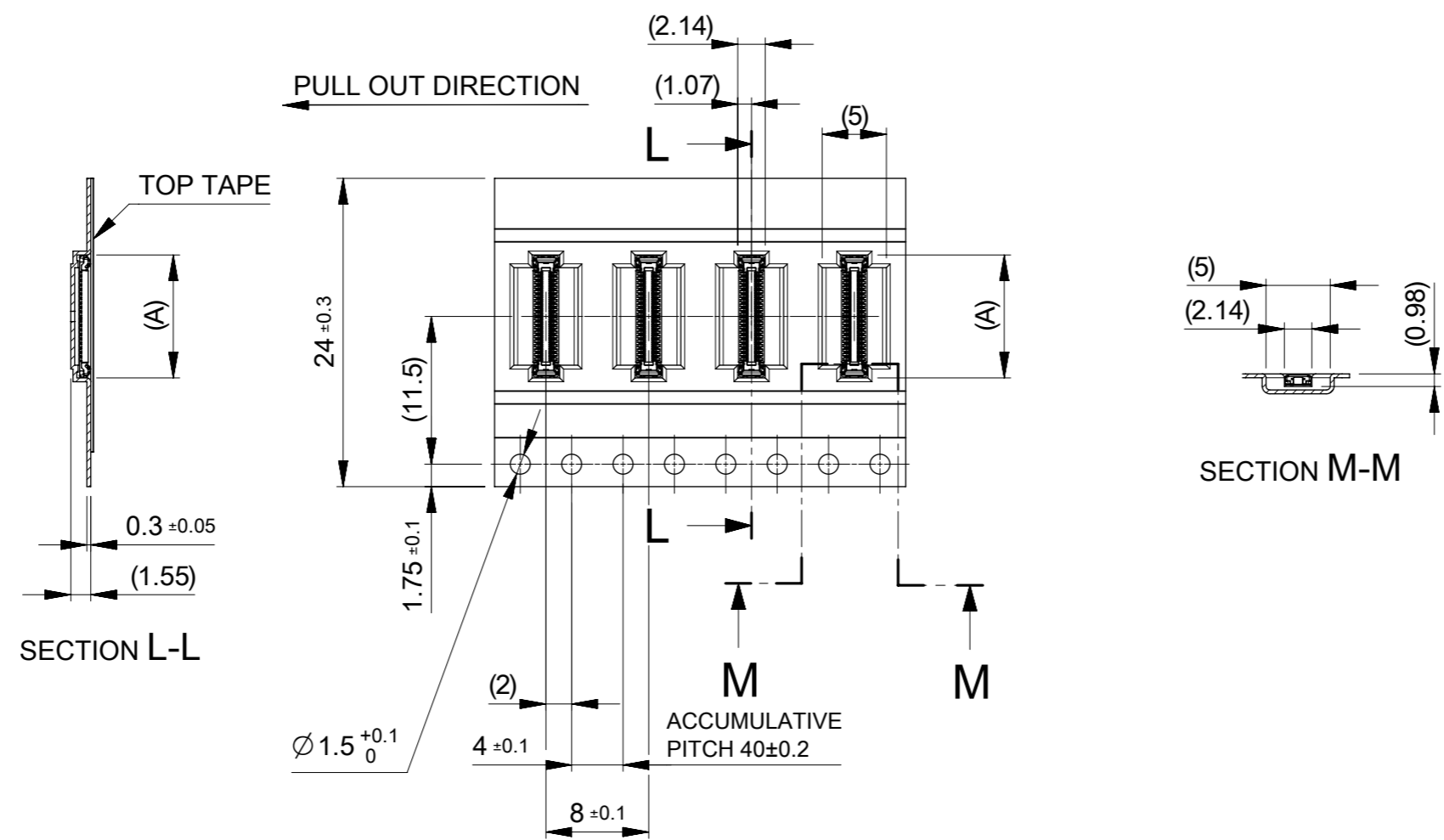
DETAIL "D"

THIS DRAWING CONTAINS INFORMATION THAT IS PROPRIETARY TO MOLEX ELECTRONIC TECHNOLOGIES, LLC AND SHOULD NOT BE USED WITHOUT WRITTEN PERMISSION													
DIMENSION UNITS		SCALE		CURRENT REV DESC:				molex					
mm		1:1											
GENERAL TOLERANCES (UNLESS SPECIFIED)				EC NO: 736025 DRWN: NASIMO 2022/12/26 CHK'D: YKOBAYASHI02 2023/01/24 APPR: KSASAKI 2023/01/24 INITIAL REVISION: DRWN: HONO01 2016/03/16 APPR: KMORIKAWA 2016/04/26				0.35 BB H=1.0 SSB10RP REC EMBSTP PKG					
ANGULAR TOL ± 3.0 °								PRODUCT CUSTOMER DRAWING					
4 PLACES ± 0.03								DOCUMENT NUMBER		DOC TYPE		DOC PART	
3 PLACES ± 0.03								5054130000		PSD		000	
2 PLACES ± 0.05												REVISION	
1 PLACE ± 0.1												J	
0 PLACES ± 0.2													
DRAFT WHERE APPLICABLE MUST REMAIN WITHIN DIMENSIONS				THIRD ANGLE PROJECTION		DRAWING		SERIES					
				A3-SIZE		505413		MATERIAL NUMBER					
						SEE CHART		CUSTOMER					
						GENERAL		SHEET NUMBER					
						1 OF 4							



16	21.4	17.4	7.82	5054133010	○	---	30
			6.77	5054132410	---	---	24
			6.42	5054132210	---	---	22
			6.07	5054132010	---	---	20
			5.72	5054131810	---	---	18
			5.37	5054131610	○	---	16
			5.02	5054131410	---	---	14
			4.67	5054131210	---	---	12
			4.32	5054131010	---	---	10
3.62	5054130610	○	---	6			
キャリアテープ幅 CARRIER TAPE WIDTH	C	B	(A)	EMBOSSED TAPE PACKAGE	HIGH VOL. TOOL	LOW VOL. TOOL	CIRCUIT
ORDER NO.	SAMPLE PREPARATION ○:TOOLED △:WORK IN PROCESS ---:TOOLING TO BE CONFIRMED						

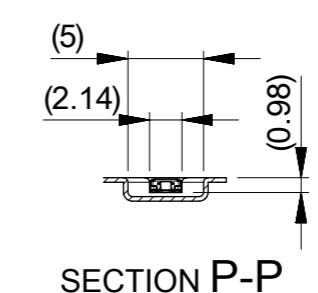
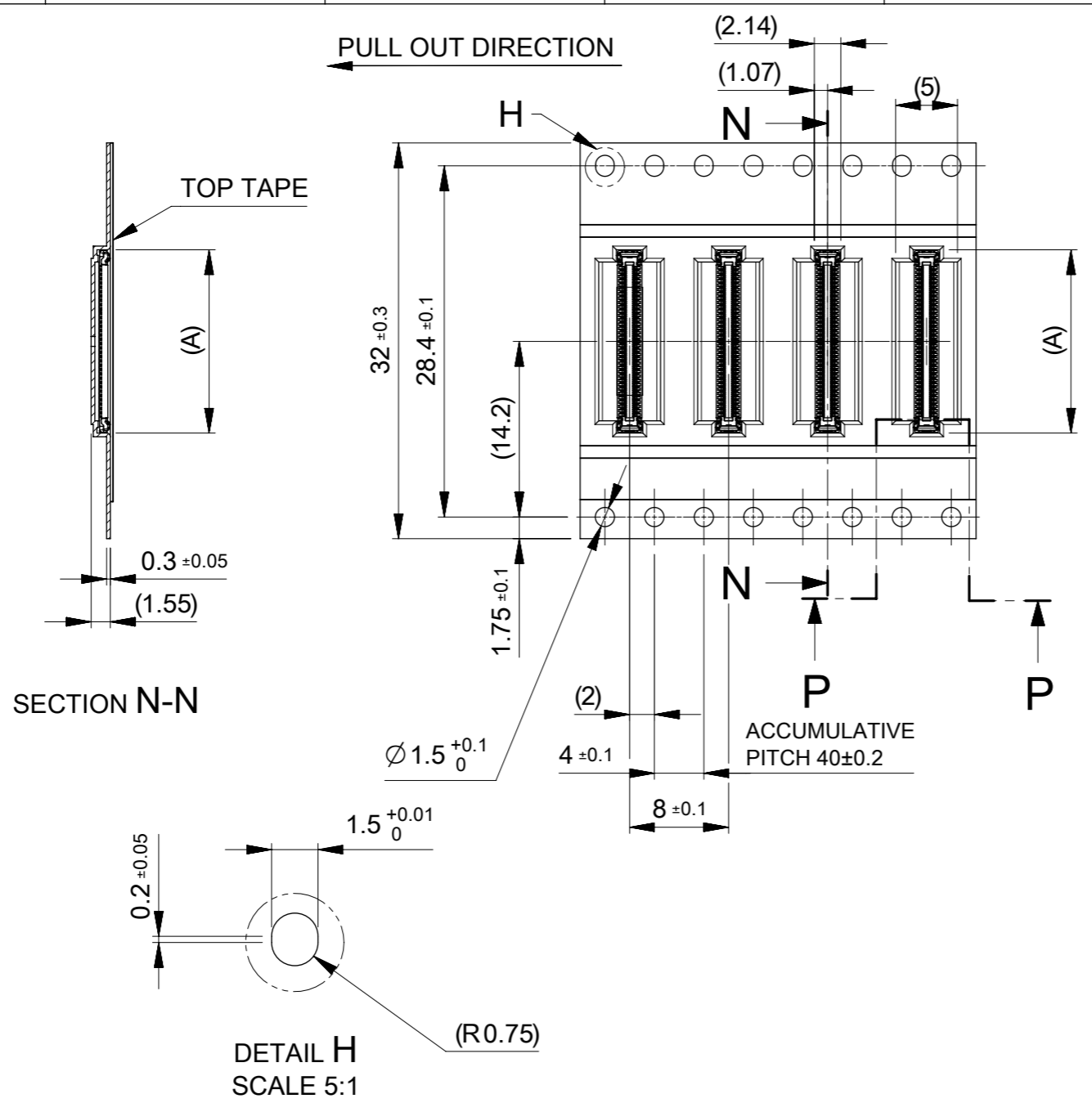
DIMENSION UNITS		SCALE	CURRENT REV DESC:					
mm		2:1	<p>molex</p> <p>0.35 BB H=1.0 SSB10RP REC EMBSTP PKG</p> <p>PRODUCT CUSTOMER DRAWING</p>					
GENERAL TOLERANCES (UNLESS SPECIFIED)			<p>EC NO: 736025</p> <p>DRWN: NASIMO 2022/12/26</p> <p>CHK'D: YKOBAYASHI02 2023/01/24</p> <p>APPR: KSASAKI 2023/01/24</p>					
ANGULAR TOL ± 3.0°			INITIAL REVISION:		DOCUMENT NUMBER	DOC TYPE	DOC PART	REVISION
4 PLACES ± 0.03			DRWN: HONO01 2016/03/16		5054130000	PSD	000	J
3 PLACES ± 0.03			APPR: KMORIKAWA 2016/04/26					
2 PLACES ± 0.05								
1 PLACE ± 0.1								
0 PLACES ± 0.2								
DRAFT WHERE APPLICABLE MUST REMAIN WITHIN DIMENSIONS		THIRD ANGLE PROJECTION	DRAWING	SERIES	MATERIAL NUMBER	CUSTOMER		SHEET NUMBER
			A3-SIZE	505413	SEE CHART	GENERAL		2 OF 4



24	29.4	25.4	13.42	5054136410	---	---	64
			12.72	5054136010	○	---	60
			12.02	5054135410	---	---	54
			11.32	5054135010	---	---	50
			10.97	5054134810	---	---	48
			10.62	5054134610	---	---	46
			9.92	5054134210	---	---	42
			9.57	5054134010	○	---	40
			8.52	5054133410	○	---	34
キャリアテープ幅 CARRIER TAPE WIDTH	C	B	(A)	EMBOSSED TAPE PACKAGE	HIGH VOL. TOOL	LOW VOL. TOOL	CIRCUIT
ORDER NO.	SAMPLE PREPARATION ○:TOOLED △:WORK IN PROCESS ---:TOOLING TO BE CONFIRMED						

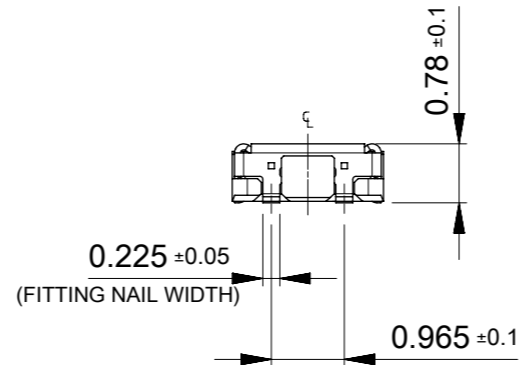
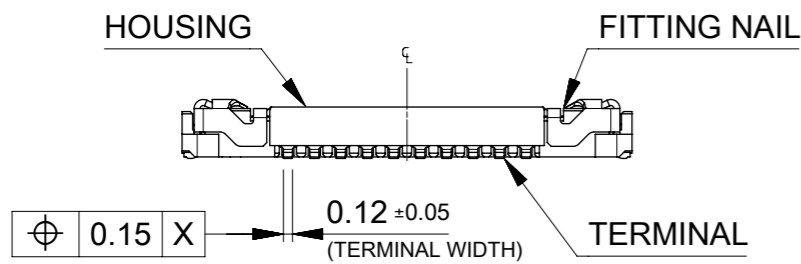
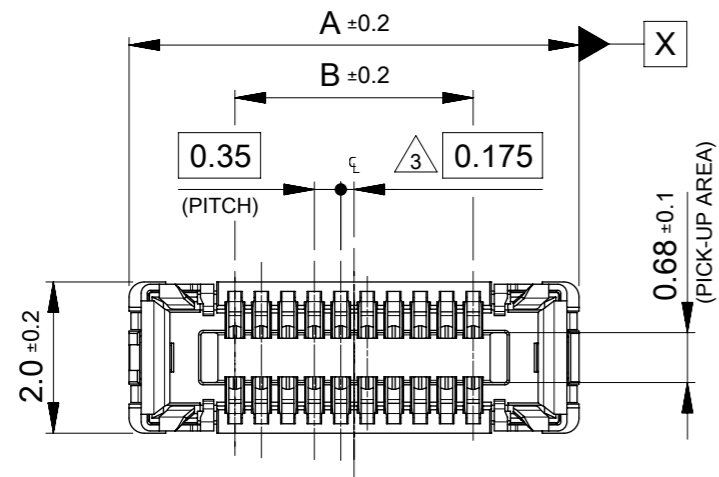
THIS DRAWING CONTAINS INFORMATION THAT IS PROPRIETARY TO MOLEX ELECTRONIC TECHNOLOGIES, LLC AND SHOULD NOT BE USED WITHOUT WRITTEN PERMISSION

DIMENSION UNITS mm	SCALE 2:1	CURRENT REV DESC:		molex		
GENERAL TOLERANCES (UNLESS SPECIFIED)		EC NO: 736025				
ANGULAR TOL ± 3.0 °	4 PLACES ± 0.03	DRWN: NASIMO	2022/12/26	PRODUCT CUSTOMER DRAWING		
3 PLACES ± 0.03	2 PLACES ± 0.05	CHK'D: YKOBAYASHI02	2023/01/24	DOCUMENT NUMBER		
2 PLACES ± 0.05	1 PLACE ± 0.1	APPR: KSASAKI	2023/01/24	5054130000		
1 PLACE ± 0.1	0 PLACES ± 0.2	INITIAL REVISION:		DOC TYPE	DOC PART	REVISION
DRAFT WHERE APPLICABLE MUST REMAIN WITHIN DIMENSIONS		DRWN: HONO01	2016/03/16	PSD	000	J
THIRD ANGLE PROJECTION		APPR: KMORIKAWA	2016/04/26	SHEET NUMBER		
DRAWING		SERIES		CUSTOMER		3 OF 4
A3-SIZE		505413		GENERAL		



32	37.4	33.4	14.82	5054137010	---	---	70
キャリアテープ幅 CARRIER TAPE WIDTH	C	B	(A)	EMBOSSED TAPE PACKAGE	HIGH VOL. TOOL	LOW VOL. TOOL	CIRCUIT
				ORDER NO.	SAMPLE PREPARATION ○:TOOLED △:WORK IN PROCESS ---:TOOLING TO BE CONFIRMED		

THIS DRAWING CONTAINS INFORMATION THAT IS PROPRIETARY TO MOLEX ELECTRONIC TECHNOLOGIES, LLC AND SHOULD NOT BE USED WITHOUT WRITTEN PERMISSION									
DIMENSION UNITS mm	SCALE 2:1	CURRENT REV DESC:			molex 0.35 BB H=1.0 SSB10RP REC EMBSTP PKG				
GENERAL TOLERANCES (UNLESS SPECIFIED)		EC NO: 736025 DRWN: NASIMO 2022/12/26 CHK'D: YKOBAYASHI02 2023/01/24 APPR: KSASAKI 2023/01/24							
ANGULAR TOL ± 3.0 °	4 PLACES ± 0.03	INITIAL REVISION:			DOCUMENT NUMBER		DOC TYPE	DOC PART	REVISION
3 PLACES ± 0.03	2 PLACES ± 0.05	DRWN: HONO01 2016/03/16 APPR: KMORIKAWA 2016/04/26			5054130000		PSD	000	J
1 PLACE ± 0.1	0 PLACES ± 0.2	DRAFT WHERE APPLICABLE MUST REMAIN WITHIN DIMENSIONS			THIRD ANGLE PROJECTION	DRAWING	SERIES	MATERIAL NUMBER	CUSTOMER
		A3-SIZE		505413	SEE CHART	GENERAL		SHEET NUMBER 4 OF 4	



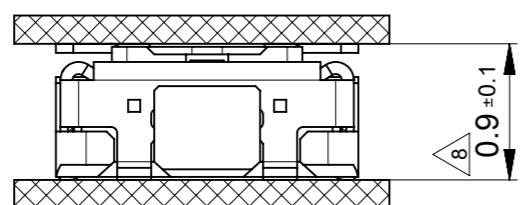
NOTES

1. MATERIAL
HOUSING : LIQUID CRYSTAL POLYMER UL94V-0(COLOR : BLACK)
TERMINAL : COPPER ALLOY
FITTING NAIL : COPPER ALLOY
2. PLATING
TERMINAL :
GOLD
UNDER PLATING : NICKEL
*DIVIDE INTO PARTS THE GOLD PLATING OF THE CONTACT AND THE TAIL PART BY THE NICKEL PLATING.
FITTING NAIL :
GOLD(ONLY CONTACT AND TAIL PART)
UNDER PLATING : NICKEL
3. APPLY FOR (CIRCUIT/2)=EVEN
4. MATE WITH : 505274**12/**42 (H=0.9) , 505417**10 (H=1.0)
5. TAIL AND FITTING NAIL COPLANARITY TO BE 0.08MAXIMUM.
6. PROHIBITED AREA OF PATTERN WIRING AND SOLDER.
(FOR EACH AREA, THE WIRING THAT TOUCHES ON THE SOLDER CAN BE ATTACHED, THEN COVERED WITH A FILM TO KEEP SOLDER OUT.)
7. ELV and RoHS COMPLIANT.
8. THIS DIMENSION SHOWS THE DIMENSION BETWEEN SOLDERING SURFACE OF SOLDER TAILS.

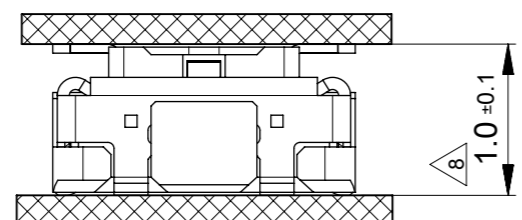
11.90	14.70	5054137010	---	---	70
10.85	13.65	5054136410	---	---	64
10.15	12.95	5054136010	○	---	60
9.10	11.90	5054135410	---	---	54
8.40	11.20	5054135010	---	---	50
8.05	10.85	5054134810	---	---	48
7.70	10.50	5054134610	---	---	46
7.00	9.80	5054134210	---	---	42
6.65	9.45	5054134010	○	---	40
5.60	8.40	5054133410	○	---	34
4.90	7.70	5054133010	○	---	30
3.85	6.65	5054132410	---	---	24
3.50	6.30	5054132210	---	---	22
3.15	5.95	5054132010	---	---	20
2.80	5.60	5054131810	---	---	18
2.45	5.25	5054131610	○	---	16
2.10	4.90	5054131410	○	---	14
1.75	4.55	5054131210	---	---	12
1.40	4.20	5054131010	---	---	10
0.70	3.50	5054130610	○	---	6

B	A	EMBOSSSED TAPE PACKAGE	MASS PRODUCTION	LOW VOL.TOOL	CIRCUIT
		ORDER No.	SMAPLE PREPARATION ○:TOOLED △:WORK IN PROCESS ---:TOOLING TO BE CONFIRMED		
CONNECTOR SERIES No. : 505413**09					

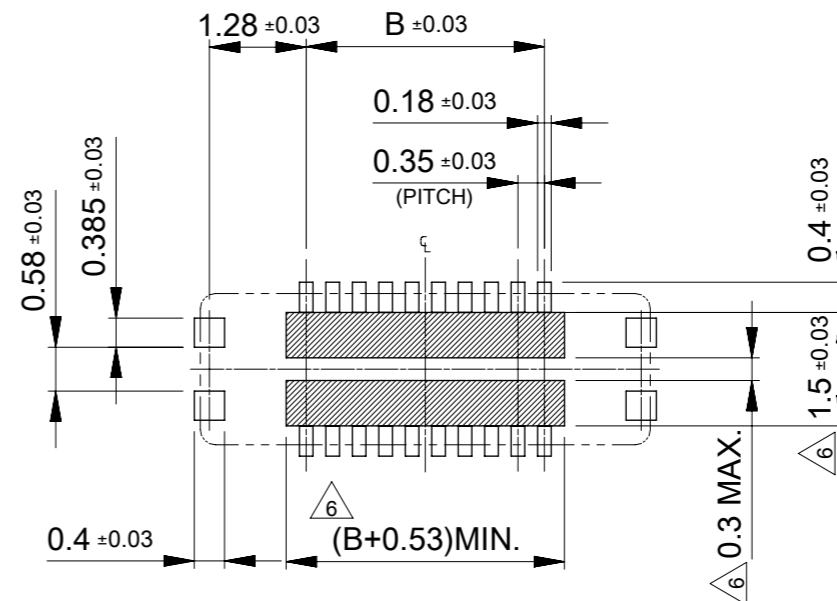
THIS DRAWING CONTAINS INFORMATION THAT IS PROPRIETARY TO MOLEX ELECTRONIC TECHNOLOGIES, LLC AND SHOULD NOT BE USED WITHOUT WRITTEN PERMISSION					
DIMENSION UNITS	SCALE	CURRENT REV DESC:			
mm	10:1	<p>0.35 BB CONN. H=1.0 SSB10RP REC. ASSY</p> <p>PRODUCT CUSTOMER DRAWING</p>			
GENERAL TOLERANCES (UNLESS SPECIFIED)					
ANGULAR TOL	± 3.0 °				
4 PLACES	± 0.03				
3 PLACES	± 0.03				
2 PLACES	± 0.05				
1 PLACE	± 0.1	EC NO: 733067	2022/12/21	DOCUMENT NUMBER	DOC TYPE
0 PLACES	± 0.2	DRWN: NASIMO	2022/12/22	5054131000	PSD
DRAFT WHERE APPLICABLE MUST REMAIN WITHIN DIMENSIONS		APPR: KSASAKI	2022/12/23	000	000
THIRD ANGLE PROJECTION		INITIAL REVISION:	2016/04/25	GENERAL	REVISION
DRAWING		DRWN: HONO01	2016/04/26	G	
SERIES		APPR: KMORIKAWA			
MATERIAL NUMBER		CUSTOMER		SHEET NUMBER	
A3-SIZE		505413		1 OF 2	



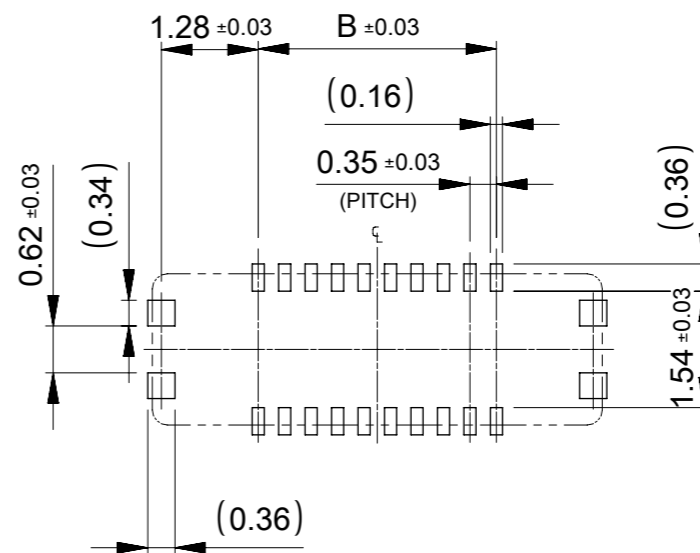
MATED CONDITION (505413/505274)



MATED CONDITION (505413/505417)



RECOMMENDED P.W.BOARD PATTERN LAYOUT (REFERENCE)



RECOMMENDED METAL MASK LAYOUT (REFERENCE)

RECOMMENDED THICKNESS OF METAL MASK : t=0.08mm

RECOMMENDED OPEN APERTURE RATIO OF METAL MASK : 80%

THIS DRAWING CONTAINS INFORMATION THAT IS PROPRIETARY TO MOLEX ELECTRONIC TECHNOLOGIES, LLC AND SHOULD NOT BE USED WITHOUT WRITTEN PERMISSION												
DIMENSION UNITS		SCALE		CURRENT REV DESC:				molex				
mm		10:1										
GENERAL TOLERANCES (UNLESS SPECIFIED)				EC NO: 733067 DRWN: NASIMO 2022/12/21 CHK'D: YKOBAYASHI02 2022/12/22 APPR: KSASAKI 2022/12/23 INITIAL REVISION: DRWN: HONO01 2016/04/25 APPR: KMORIKAWA 2016/04/26				PRODUCT CUSTOMER DRAWING				
ANGULAR TOL		± 3.0 °						DOCUMENT NUMBER		DOC TYPE	DOC PART	REVISION
4 PLACES		± 0.03						5054131000		PSD	000	G
3 PLACES		± 0.03						SEE CHART		GENERAL		2 OF 2
2 PLACES		± 0.05						MATERIAL NUMBER		CUSTOMER		SHEET NUMBER
1 PLACE		± 0.1						A3-SIZE		505413		
0 PLACES		± 0.2		DRAWING		SERIES						
DRAFT WHERE APPLICABLE MUST REMAIN WITHIN DIMENSIONS				THIRD ANGLE PROJECTION								