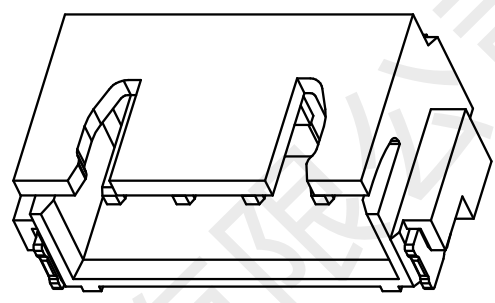
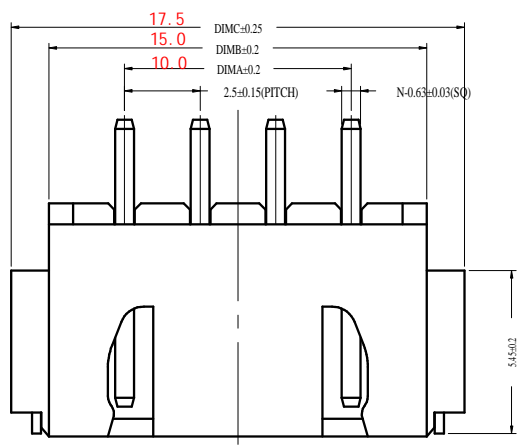
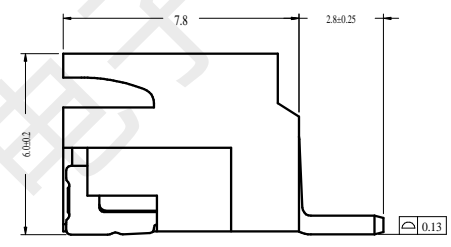
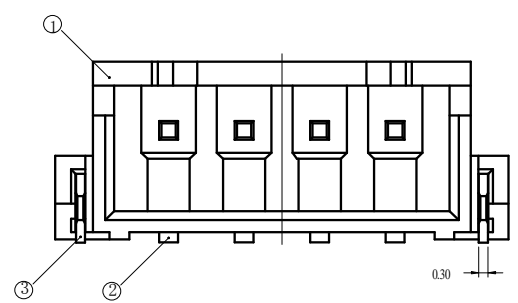


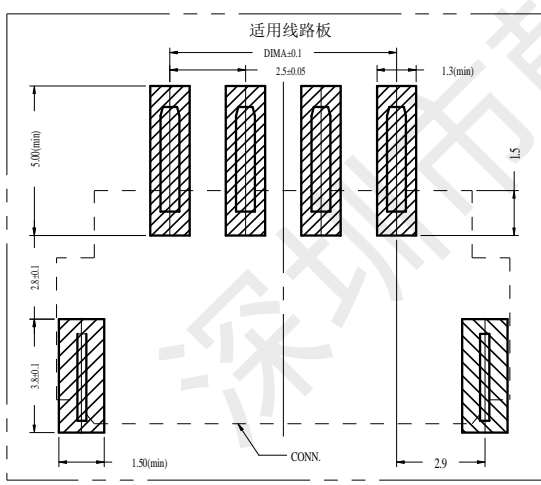
REV.	EC#	DESCRIPTION	DATE	DRAWN	CHECK	APPROVED
1.00		初版发行	2020-05-22			



REV.	EC#	DESCRIPTION	DATE	DRAWN	CHECK	APPROVED
15	35.00	40.00	42.50			
14	32.50	37.50	40.00			
13	30.00	35.00	37.50			
12	27.50	32.50	35.00			
11	25.00	30.00	32.50			
10	22.50	27.50	30.00			
9	20.00	25.00	27.50			
8	17.50	22.50	25.00			
7	15.00	20.00	22.50			
6	12.50	17.50	20.00			
5	10.00	15.00	17.50			
4	7.50	12.50	15.00			
3	5.00	10.00	12.50			
2	2.50	7.50	10.00			
Pin	DIMA	DIM.B	DIM.C			



1. 工作温度: -25° C~85° C.
2. 适用线规: AWG#30~#22.
3. 额定电压: 250V DC/AC(rms).
4. 额定电流: 3.0A.
5. 接触电阻: ≤20m .
6. 耐压值: 1000V AC/minute.
7. 绝缘电阻: ≥1000M .



GENERAL TOLERANCES			
DIM	TOL	DIM	DEG
X.		X°	±5.00°
X.X	±0.35	X.X°	±2.00°
X.XX	±0.25	X.XX°	±1.00°
X.XXX	±0.15	X.XXX°	

3	FITTING NAIL	2 PCS	材质:磷青铜,电镀:镀亮锡60u*MIN
2	PIN	n PCS	材质:黄铜,电镀:镀亮锡60u*MIN
1	Housing	1 PCS	材质:LCP (UL94V-0),颜色:本色或黑色
NO.	NAME	Q'TY	DESCRIPTION

韩下 HANXIA 深圳市韩下电子有限公司

DRAW :	李春风	2020-05-22	TITLE:	HX 2.54-5P WT	DRAW NAME:	WAFER 2.5WTA NX 2
DESIGN:			SERIES:	2021 SERIES	DRAW NO.	
CHECK:	钟华华	2020-05-22	P/N:		UNIT:	SHEET:
APPROVED	罗孝金	2020-05-22	REV. 1.00	SCALE N/A	mm	1/1
CUSTOMER DRAWING						