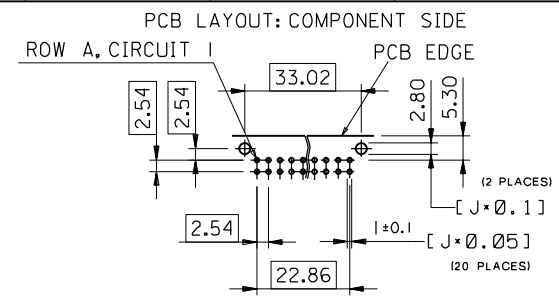
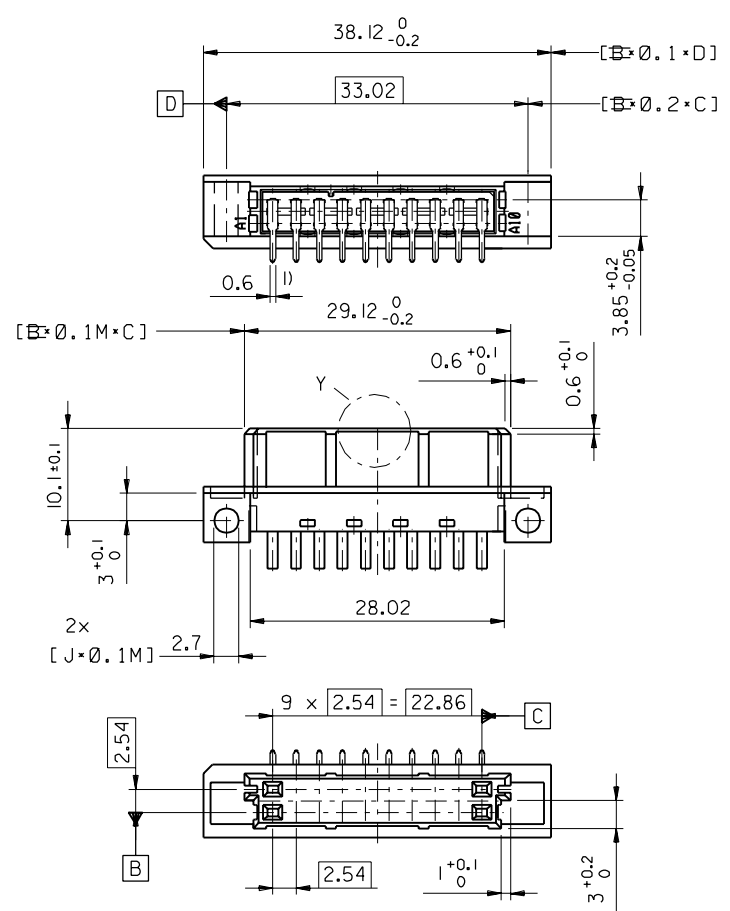
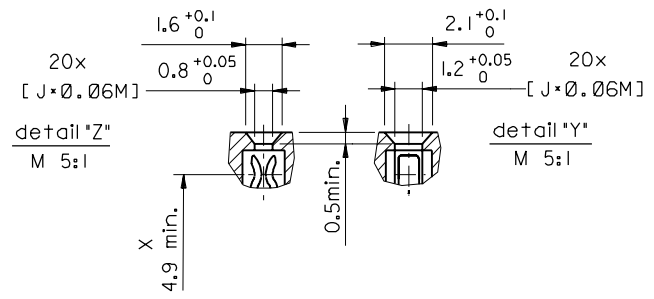
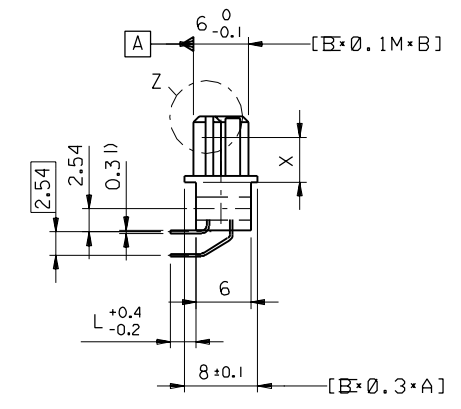


PART NO.
DWG. NO.



1) tails to fit in PC-board layout

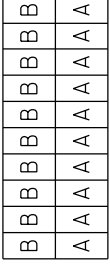


BI	ECN MG1998-2586	REVISIONS	FIRST ANGLE PROJECTION		DRWG BY KN	SIGN
	L +0.4-0.2, Lockbild 97-09-17 KN		UNLESS OTHERWISE SPECIFIED TOLERANCES: ANGULAR $\pm 2^\circ$	INCH		
LTR	FOR PREVIOUS REVISIONS SEE MRI LIST	3 PLACE \pm	\pm	CHK'D BY Ca	SIGN	TITLE 20 pos. female connector DIN 41612 style Q/3 Dimensions
		2 PLACE \pm	\pm	APP'D BY JB	SIGN	
		1 PLACE \pm	\pm	SCALE 2:1		SHEET NO. DATE 1 of 1 96/04/25
		DRAFT WHERE APPLICABLE MUST REMAIN WITHIN DIMENSIONS		MOLEX EUROPE		
		DESIGN DIMENSION	<input checked="" type="checkbox"/> MM	PART NO.		SHEET NO. DATE 1 of 1 96/04/25
		EQUIVALENT DIMENSION	<input type="checkbox"/> MM	DWG NO.		
		IF TWO DIMENSIONS ARE SHOWN THE UPPER IS THE DESIGN DIMENSION, LOWER IS SECONDARY		SDA-85050-0003		SIZE B

REVISE ONLY ON CAD SYSTEM		SH.	REV.
CAD/CAM PROJECT NAME 85050000 s31		THIS DRAWING CONTAINS INFORMATION THAT IS PROPRIETARY TO MOLEX INC. & SHOULD NOT BE USED WITHOUT WRITTEN PERMISSION	
TITLE 20 pos. female connector DIN 41612 style Q/3 Dimensions			
MOLEX EUROPE		SHEET NO. DATE 1 of 1 96/04/25	
PART NO. SDA-85050-0003		DWG NO.	
		SIZE B	

5 4 3 2 1

View on mating side



CONTACT

A = 10 contacts L=2,8

B = 10 contacts L=2,8

S = 20 total number of contacts

Lubrication	yes
Marking	Standard
Performance level	G1/0 = Contact area perform. level I / Termination tin
Flux proof	no
Fixing clip	no
Dimensions	SDA-85050-0003 sht.1
Technical Data	PS-85052-0001

B	G1/0	b1-10
A	G1/0	a1-10
Contact symbol	Perform. level	Contact position number

ECN 2264 Product spec.	96-10-21 KN	REVISIONS		FOR PREVIOUS REVISIONS SEE MRI LIST	UNLESS OTHERWISE SPECIFIED TOLERANCES: ANGULAR ±2° INCH METRIC	DRWG BY	SIGN	REVISE ONLY ON CAD SYSTEM	SH. REV.	
		3 PLACE ± • ±	CHK'D BY			SIGN				
A-1	LTR	REVISIONS		FOR PREVIOUS REVISIONS SEE MRI LIST	2 PLACE ± • ±	APP'D BY	SIGN	TITLE 20 pos. female connector acc. DIN 41612 style Q/3 contacts arrangement	SHEET NO. 1 OF 1	DATE 96/06/13
		1 PLACE ± • ±	DESIGN DIMENSION		SIGN					
					DRAFT WHERE APPLICABLE MUST REMAIN WITHIN DIMENSIONS		SCALE		MOLEX EUROPE	
					DESIGN DIMENSION	EQUIVALENT DIMENSION		PART NO. 85050-0036		DWG NO. SDA-85050-0036
					<input type="checkbox"/> MM	<input type="checkbox"/> MM	SIZE		A	
					<input type="checkbox"/> IN.	<input type="checkbox"/> IN.	PART NO. 85050-0036		SIZE A	
					IF TWO DIMENSIONS ARE SHOWN, THE UPPER IS THE DESIGN DIMENSION, LOWER IS SECONDARY		PART NO. 85050-0036		SIZE A	

Mouser Electronics

Authorized Distributor

Click to View Pricing, Inventory, Delivery & Lifecycle Information:

[Molex:](#)

[85050-0036](#)