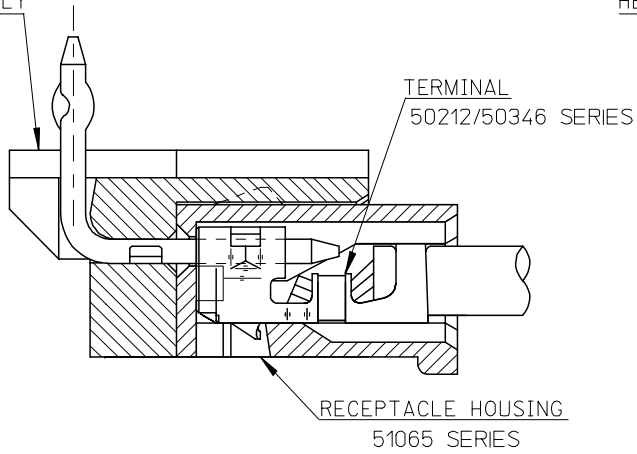


10 9 8 7 6 5 4 3 2 1

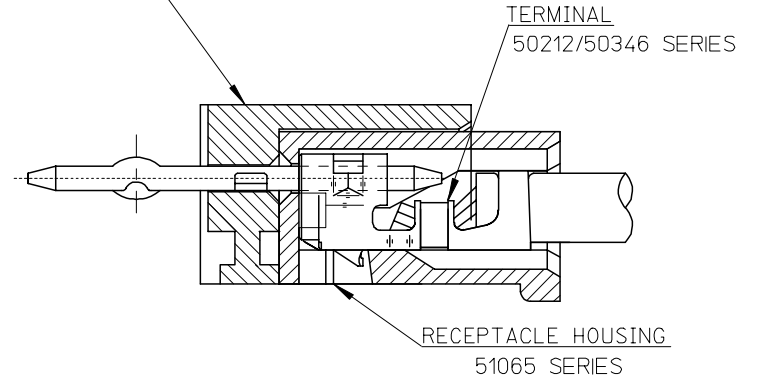
F

HEADER HOUSING ASSEMBLY  
53254 SERIES



51065シリーズ/53254シリーズ 嵌合状態図 参考  
51065 SERIES/53254 SERIES MATED DRAWING (REF.)

HEADER HOUSING ASSEMBLY  
53253 SERIES



51065シリーズ/53253シリーズ 嵌合状態図 参考  
51065 SERIES/53253 SERIES MATED DRAWING (REF.)

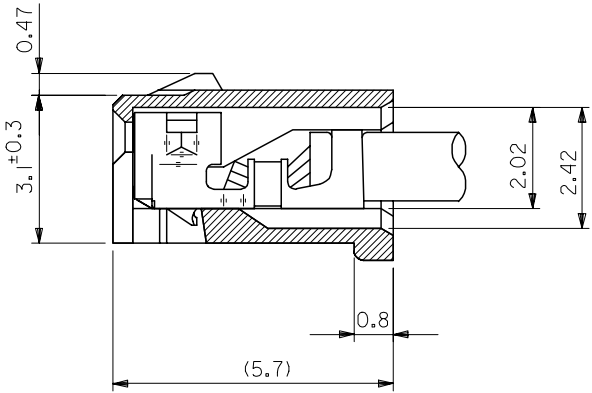
E

D

C

B

A



ターミナル装着状態図  
TERMINAL ASS'Y DWG.

RELEASED EC NO: J2008-2041 DRWN: AOYAGI 2007/11/21 CHKD: THARUYAMA 2007/11/22 APPR: NUKITA 2007/11/22	GENERAL TOLERANCES (UNLESS SPECIFIED)		DIMENSION STYLE MM ONLY		SCALE 10:1	DESIGN UNITS METRIC	THIRD ANGLE PROJECTION	
	10 UNDER	± 0.2	DRAWN BY	DATE	TITLE NEW 2.0 W/B CONN. 51065/53253OR51065/53254			
	10 OVER 30 UNDER	± 0.25	Y. AOYAGI	2007/11/13				
	30 OVER	± 0.3	CHECKED BY	DATE	MOLEX INCORPORATED			
	ANGULAR	± 1 °	N. UKITA	2007/11/13				
DRAFT WHERE APPLICABLE MUST REMAIN WITHIN DIMENSIONS		SEE TABLE		MATERIAL NO.		DOCUMENT NO. SD-51065-006		SHEET NO. 1 OF 1
0	REV	SIZE A3		THIS DRAWING CONTAINS INFORMATION THAT IS PROPRIETARY TO MOLEX INCORPORATED AND SHOULD NOT BE USED WITHOUT WRITTEN PERMISSION				

# Mouser Electronics

Authorized Distributor

Click to View Pricing, Inventory, Delivery & Lifecycle Information:

[Molex:](#)

[53254-0450](#) [53254-1210](#) [53254-0810](#) [53254-0910](#) [53254-0310](#) [53254-0410](#) [53254-0510](#) [53254-0210](#) [53254-0710](#)