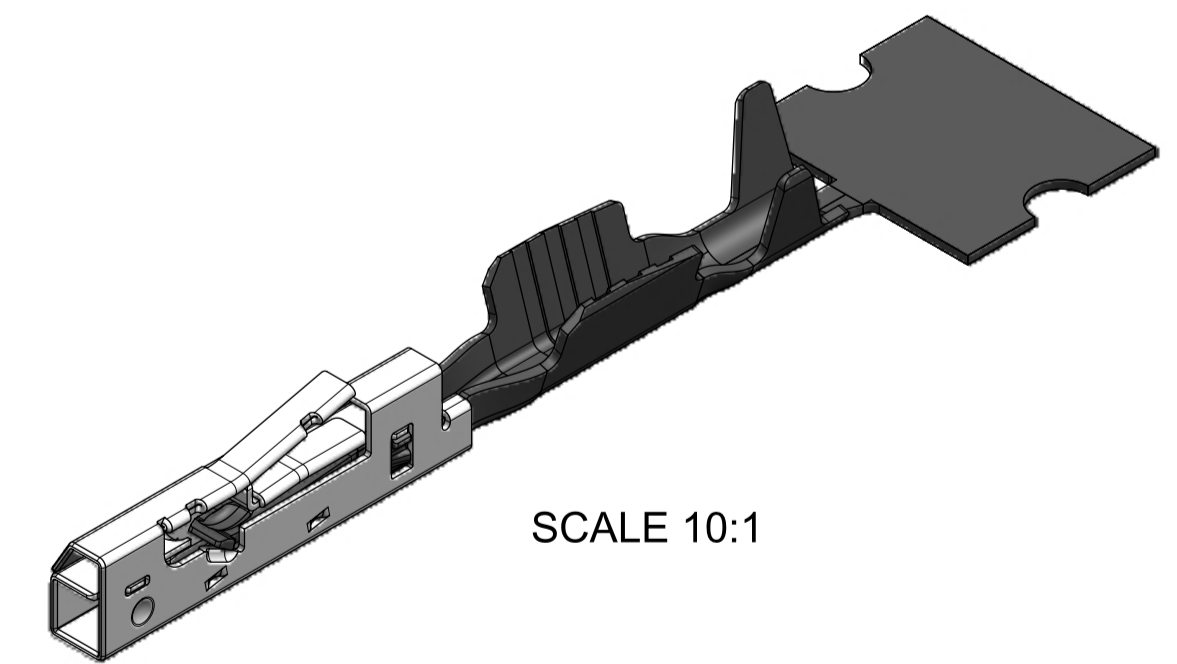


Part Number	DESCRIPTION	Marking Type	Top Layer Plating Type	Grip Code	Wire Insulation OD - mm	Wire Size - mm <sup>2</sup>	Pay Off Direction	Dimensions - mm			
								Dim A ± 0.10	Dim B ± 0.10	Dim C ± 0.10	Dim H ± 0.05
2000960101	STANDARD	LTG	Sn	L	1.2-1.3	0.35	D	1.7	1.9	1.5	0.15
2000960201		STG	Sn	S	0.95-1.05	0.13	D	1.6	1.8	1.25	0.15
2000960161		LTG	Sn	L	1.2-1.3	0.35	B	1.7	1.9	1.5	0.15
2000960261		STG	Sn	S	0.95-1.05	0.13	B	1.6	1.8	1.25	0.15
2000960102	HIGH PERFORMANCE	LMH	Sn	L	1.2-1.3	0.35	D	1.7	1.9	1.5	0.24
2000960202		SMH	Sn	S	0.95-1.05	0.13	D	1.6	1.8	1.25	0.24
2000960162		LMH	Sn	L	1.2-1.3	0.35	B	1.7	1.9	1.5	0.24
2000960262		SMH	Sn	S	0.95-1.05	0.13	B	1.6	1.8	1.25	0.24

NOTES: (UNLESS OTHERWISE SPECIFIED)

- MATERIAL: COPPER ALLOY
- PLATING: SEE TABLE 1
- PACKAGING SPEC: 313025040
- CRIMPING SPEC: 2000960001
- PRODUCT SPEC: 2000960000

6. PROBING THE CONTACT INTERFACE OF THE TERMINAL OR AT ANY POINT ON THE TERMINAL BEAM IS NOT PERMITTED



<b>QUALITY SYMBOLS</b> □ = 0 ▽ = 0 ▽ = 0 ▽ = 0 ▽ = 0 ▽ = 0 ▽ = 0 ▽ = 0 ▽ = 0 ▽ = 0 ▽ = 0 ▽ = 0 ▽ = 0 ▽ = 0 ▽ = 0	THIS DRAWING CONTAINS INFORMATION THAT IS PROPRIETARY TO MOLEX ELECTRONIC TECHNOLOGIES, LLC AND SHOULD NOT BE USED WITHOUT WRITTEN PERMISSION				<b>GENERAL TOLERANCES (UNLESS SPECIFIED)</b> DIMENSION UNITS: mm SCALE: 20:1 DRWN BY: NBHAGYANATHA DATE: 2014/10/10 CHK'D BY: DATE: APPR BY: YLEPOTTIER DATE: 2016/03/28 DRAFT WHERE APPLICABLE MUST REMAIN WITHIN DIMENSIONS DRAWING SIZE: A1 THIRD ANGLE PROJECTION	  MOLEX TAK50_WR_TERM_RCPT UNSEALED  PRODUCT CUSTOMER DRAWING		
	EC NO: 608789 DRWN: RSETHURAMAN CHKD: NBHAGYANATHA REV APPR: NBHAGYANATHA	2018/11/29 2018/12/10 2018/12/10	SERIES: 200096 MATERIAL NUMBER: 2000960001 CUSTOMER:	DOC TYPE: PSD DOC PART: 000 SHEET NUMBER: 1 OF 1				
	RELEASE STATUS: P1 RELEASE DATE: 2018/12/10 18:30:45							