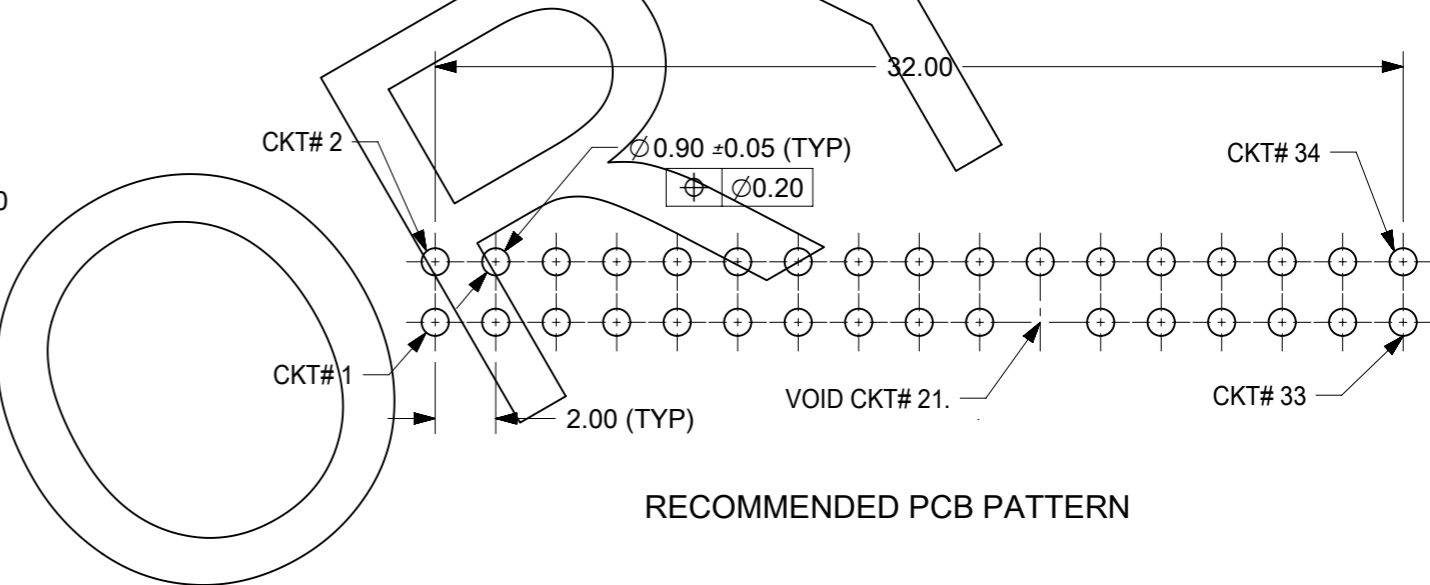
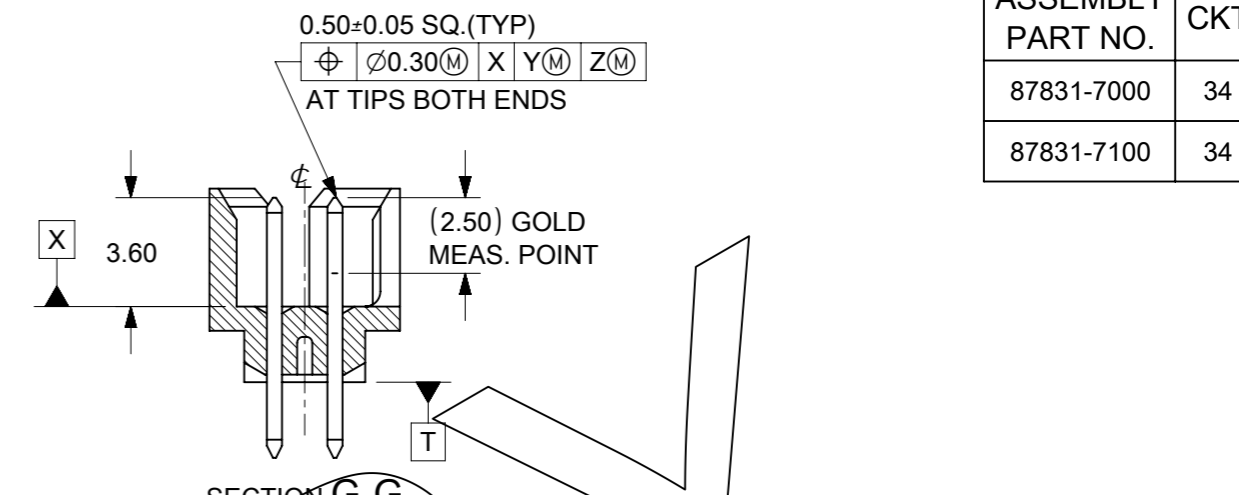


REF : ORIENTATION OF PART IN TUBE.
(FOR THE REFERENCE OF PART/TUBE ASSEMBLY.)



- NOTES :
- MATERIALS:
HOUSING : 30%GF, NYLON 46, UL94V-0, COLOR BLACK
PIN : 0.50mm SQ. PHOSPHOR BRONZE.
 - PRODUCT SPECIFICATION PS-87831-027 APPLIES.
 - PIN PUSHOUT FORCE : 0.91 kg MIN. IN EITHER DIRECTION.
 - PLATING OPTION:
87831-7000 - 0.38µm/15µin GOLD IN CONTACT AREA AND 1.88µm/75µin MIN. TIN IN SOLDER TAIL AREA OVER 1.27µm/50µin MIN. NICKEL OVERALL.
87831-7100 - GOLD FLASH IN CONTACT AREA AND 1.88µm/75µin MIN. TIN IN SOLDER TAIL AREA OVER 1.27µm/50µin MIN. NICKEL OVERALL
 - THIS HEADER MATES WITH MOLEX :
a) CRIMP RECEPTACLE HOUSING, 51110 SERIES WITH CRIMP TERMINAL, 50394 SERIES.
b) 2mm MILLIGRID DUAL ROW IDT, 87568 SERIES.
 - PARTS TO BE PACKED IN TUBE WITH MOISTURE BARRIER BAG.

ASSEMBLY PART NO.	CKT	VOID CKT
87831-7000	34	21
87831-7100	34	21

QUALITY SYMBOLS	THIS DRAWING CONTAINS INFORMATION THAT IS PROPRIETARY TO MOLEX ELECTRONIC TECHNOLOGIES, LLC AND SHOULD NOT BE USED WITHOUT WRITTEN PERMISSION									
▽A = 0	MIGRATED TO ECTR	2017/07/03	2018/02/07	2018/02/08	GENERAL TOLERANCES (UNLESS SPECIFIED)		DIMENSION UNITS		SCALE	
▽E = 0					MM	INCH	MM	NTS		
▽B = 0					4 PLACES ±	±	DRWN BY	DATE		
▽ = 0					3 PLACES ±	±	ATSEE	2003/10/06		
▽C = 0					2 PLACES ±	0.2 ±	CHK'D BY	DATE		
▽ = 0					1 PLACES ±	±	KCLING	2003/11/07		
▽ = 0					0 PLACES ±	±	APPR BY	DATE		
▽ = 0					ANGULAR TOL = 3.0	±	SKTOH	2003/11/07		
▽ = 0					DRAFT WHERE APPLICABLE MUST REMAIN WITHIN DIMENSIONS		DRAWING SIZE	THIRD ANGLE PROJECTION		
▽ = 0					A4	REV	A3			

SERIES	MATERIAL NUMBER	CUSTOMER
87831	SEE TABLE	GENERAL MARKET

DOCUMENT NUMBER	DOC TYPE	DOC PART	SHEET NUMBER
SD-87831-015	PSD	001	1 OF 1