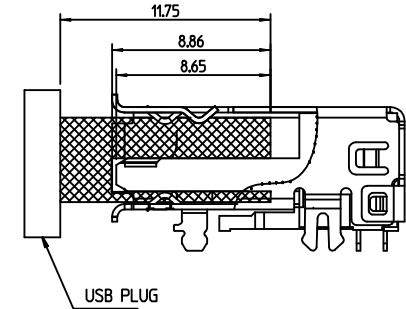
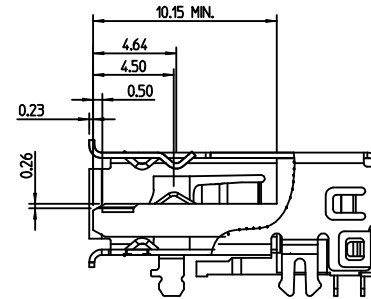
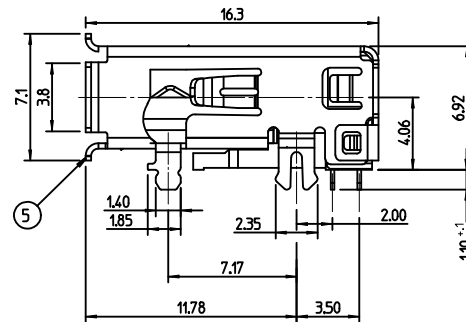
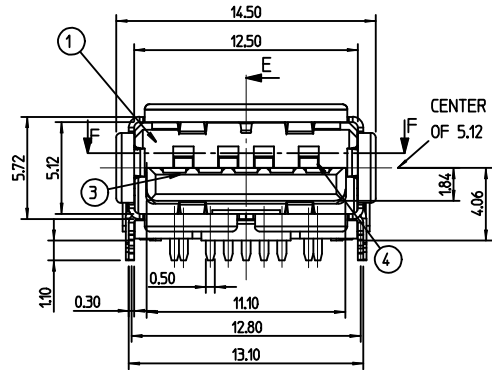


NOTES:

1. MATERIAL:
 - 1.1 HOUSING: THERMOPLASTIC, HIGH TEMP., UL94V-0, COLOR: BLUE
 - 1.2 CONTACT: COPPER ALLOY
 - 1.3 SHELL: STAINLESS STEEL
 2. FINISH:
 - 2.1 CONTACT: PLS. SEE ORDER INFORMATION
 - SOLDER TAIL PLATING: MATT TIN OVER NICKEL
 - UNDERPLATING: NICKEL OVER ALL
 - 2.2 SHELL: NICKEL PLATING OVER ALL
 3. SPEC. PLS. REFER TO PS-48392-001
 4. PACKAGE PLS. REFER TO PK-48392-001
 5. LEAD FREE AND ROHS COMPLIANT PRODUCT
 6. DATE CODE 1 A 08 X X
- YEAR: 1-2011
 MONTH: A(JAN), B(FEB)
 DATE: 8-08
- REMARK
 PRODUCE PLACE

RECOMMEND PCB LAYOUT COMPONENT SIDE
 DEFAULT TOLERANCES ±0.05mm P.C.B THICKNESS=1.2mm

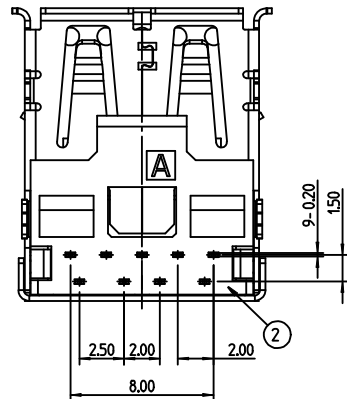


TABLE

PLATING	MOLEX P/N
30'u GOLD	48392-0001
2u'GOLD&30u'Pd-Ni	48392-0002
15u' GOLD	48392-0003
GOLD FLASH(3u' MIN)	48392-0004

SECTION E-E

No.	DESCRIPTION	MATERIAL
5	METAL SHELL	STAINLESS STEEL
4	TERMINAL A	COPPER ALLOY
3	TERMINAL B	COPPER ALLOY
2	SPACER	THERMOPLASTIC
1	HOUSING	THERMOPLASTIC



SHELL	SHIELD
9	STDA_SSTX+
8	STDA_SSTX-
7	GND_DRAIN
6	STDA_SSRX+
5	STDA_SSRX-
4	GND
3	D+
2	D-
1	VBUS
PIN NO.	SIGNAL NAME

REV	DESCRIPTION
A	RELEASE EC NO: DRWINFYANG05 2013/10/20 CHKD: APPR:

QUALITY SYMBOLS	GENERAL TOLERANCES (UNLESS SPECIFIED)
$\nabla_A=0$	mm INCH
$\nabla_C=0$	4 PLACES
$\nabla_D=0$	3 PLACES
	2 PLACES ± 0.25
	1 PLACE ± 0.25
	ANGULAR ± 3 °
	DRAFT WHERE APPLICABLE MUST REMAIN WITHIN DIMENSIONS

DIMENSION STYLE		SCALE		DESIGN UNITS		THIRD ANGLE PROJECTION	
MM ONLY		1:1		METRIC			
DRAWN BY	DATE	TITLE					
JIANZHONG	13/06/17	USB3.0 REVERSE A TYPE					
CHECKED BY	DATE	R/A T/H CH=4.06mm					
SAM	13/06/17						
APPROVED BY	DATE						
JASON	13/06/17						
MATERIAL NO.							
SEE-TABLE							
SIZE							
A4							

MOLEX INCORPORATED		SHEET NO.	
DOCUMENT NO.		1 OF 1	
SD-48392-001			
THIS DRAWING CONTAINS INFORMATION THAT IS PROPRIETARY TO MOLEX INCORPORATED AND SHOULD NOT BE USED WITHOUT WRITTEN PERMISSION			

Mouser Electronics

Authorized Distributor

Click to View Pricing, Inventory, Delivery & Lifecycle Information:

[Molex:](#)

[48392-0001](#)