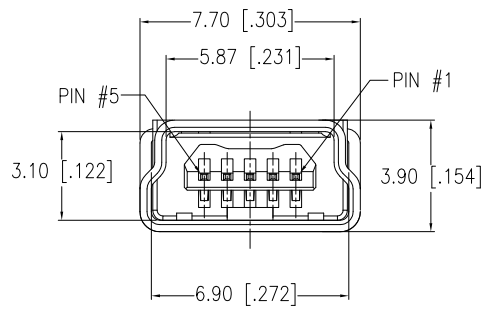
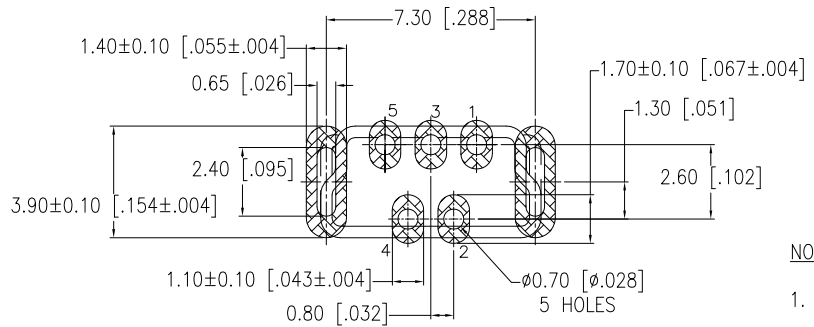


REVISIONS				
SYM	ZONE	ECN, ERN NO.	DATE	APPRD.
B		PRODUCT DWG (EAR 14195)	JUN07/13	K.L.
C		PRODUCT DWG (EAR 14206)	JUN19/13	K.L.



FRONT VIEW



RECOMMENDED P.C.B. LAYOUT
(COMPONENT SIDE OF BOARD)
TOLERANCE: ±0.05mm

NOTES:

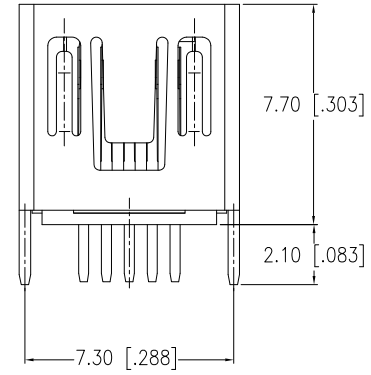
- MATERIALS:**

HOUSING: HIGH TEMPERATURE PLASTIC, OR PBT
FLAMMABILITY UL94V-0.

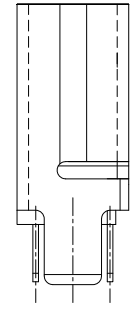
CONTACTS: COPPER ALLOY,
PLATING: GOLD ON MATING AREA (SEE AMPHENOL PART NO. OPTION).
MATTE TIN OR GOLD FLASH ON CONTACT TAILS.
NICKEL UNDERPLATE.

SHELL: COPPER ALLOY,
NICKEL.

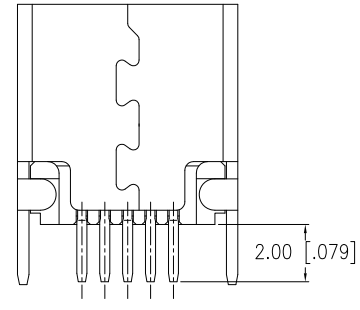
2. OPERATING TEMPERATURE: -40°C TO +105°C



TOP VIEW



SIDE VIEW



BOTTOM VIEW

AMPHENOL PART NO.: UE25 - BEX5 - 10X

SERIES _____ MODIFIER
UE25=MINI USB RECEPTACLE
0=PBT
H=HIGH TEMP MATERIAL(<260°C)

TYPE _____ SHIELD OPTIONS
B=SERIES B
O=WITHOUT REAR SHELL

STYLE _____ COLOUR
E=TOP ENTRY
1=BLACK

CONTACT PLATING _____ NUMBER OF CONTACTS
5=30µ" [0.76 MICRONS] GOLD PLATING
ON CONTACT MATING AREA
7=GOLD FLASH OVER NICKEL ON CONTACT
MATING AREA.
5=5 CONTACTS

UNLESS OTHERWISE SPECIFIED TOLERANCES ARE +0.30mm	DRAWN <i>HUILAN WANG</i>	DATE <i>APR 25,08</i>
	DESIGNED <i>MT CHEN</i>	<i>APR 25,08</i>
	CHECKED <i>L.CHAN</i>	<i>APR 25,08</i>
	I. E. APPRD.	
	Q. A. APPRD.	
	DWG. APPRD. <i>K.LAMBIE</i> <i>TBD</i>	
ENG. REL. NO.		
REF.		
DIMENSIONS ARE IN _____	CODE ID. NO. _____	
MM [INCHES]	03554	

Amphenol Canada Corp.		
TITLE UNIVERSAL SERIAL BUS MINI-B RECEPTACLE, VERTICAL PCB TAIL, ROHS COMPLIANT		
DWG C	DRAWING NO. P-UE25-BEX5-10X	REV. C
SCALE 3/1	WT. _____	SURF. _____
SHEET 1 OF 1		

THIS DOCUMENT CONTAINS PROPRIETARY INFORMATION AND SUCH INFORMATION MAY NOT BE DISCLOSED TO OTHERS FOR ANY PURPOSE OR USED FOR MANUFACTURING PURPOSES WITHOUT WRITTEN PERMISSION FROM AMPHENOL CANADA CORP.

Mouser Electronics

Authorized Distributor

Click to View Pricing, Inventory, Delivery & Lifecycle Information:

[Amphenol:](#)

[UE25BE55100](#)