

10144517 - AA B C D E F F

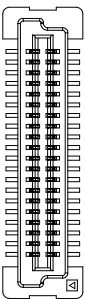
AA	POSITION
02	2X10
04	2X20
06	2X30
08	2X40
10	2X50
12	2X60

COMBINATION OF MATED HEIGHT	FOR PLUG, SEE DWG. NO. 10144518			
	Plug 1	Plug 2	Plug 3	Plug 4
Recep 1				
Recep 2				
Recep 3				
Recep 4				

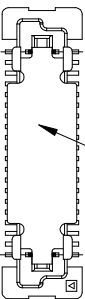
E	PACKAGING
2	T&R WITH METAL CAP
3	T&R WITHOUT CAP
6	T&R WITH KAPTON TAPE

D	POLARIZATION PEG HOLD DOWN
0	YES
2	NO

C	PLATING ON CONTACT AREA	FF
8	GOLD FLASH (0.05um MIN) ON CONTACT AREA; PURE TIN 2.5um MIN (LEAD FREE) ON SOLDER TAIL NICKEL UNDERPLATE OVERALL 127um MIN	LF

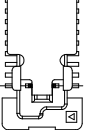


WITHOUT CAP



WITH METAL CAP

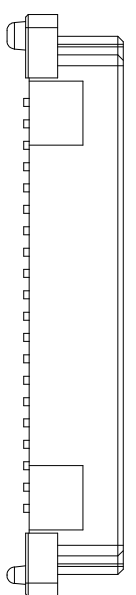
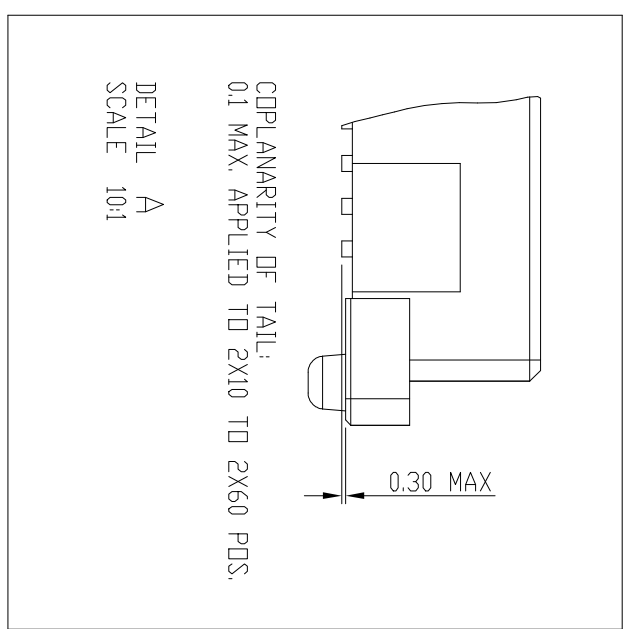
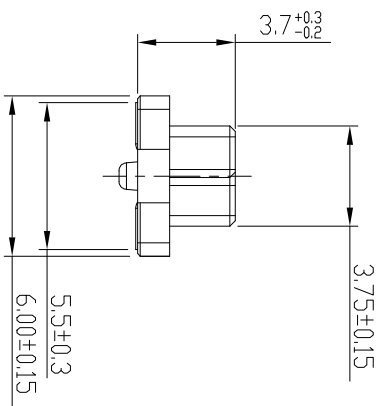
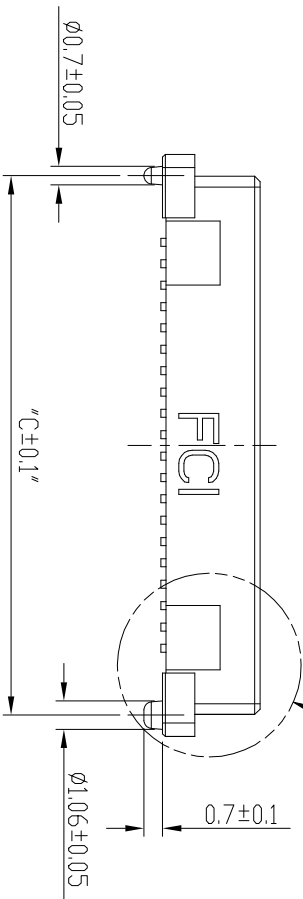
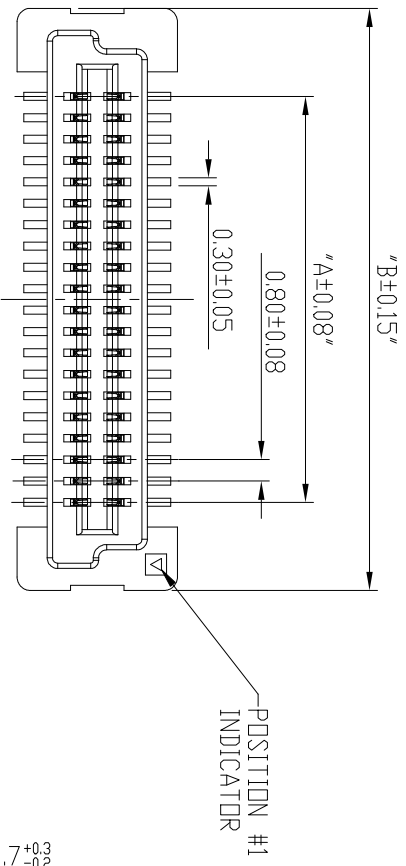
METAL CAP



- NOTE:
1. MATERIAL:
HOUSING: G.F. LCP, NATURAL, UL94-V0
TERMINAL: COPPER ALLOY
 2. PLATING: AS SHOWN IN TABLE.
 3. SEE GS-12-1424 FOR PRODUCT SPEC.
 4. THIS PRODUCT MEETS THE EUROPEAN UNION DIRECTIVES AND OTHER COUNTRY REGULATIONS AS DESCRIBED IN GS-22-008.
 5. THE HOUSING WILL WITHSTAND EXPOSURE UP TO 260~ PEAK TEMPERATURE FOR 30 SECONDS IN A CONVECTION, INFRARED OR VAPOR PHASE REFLOW OVEN.

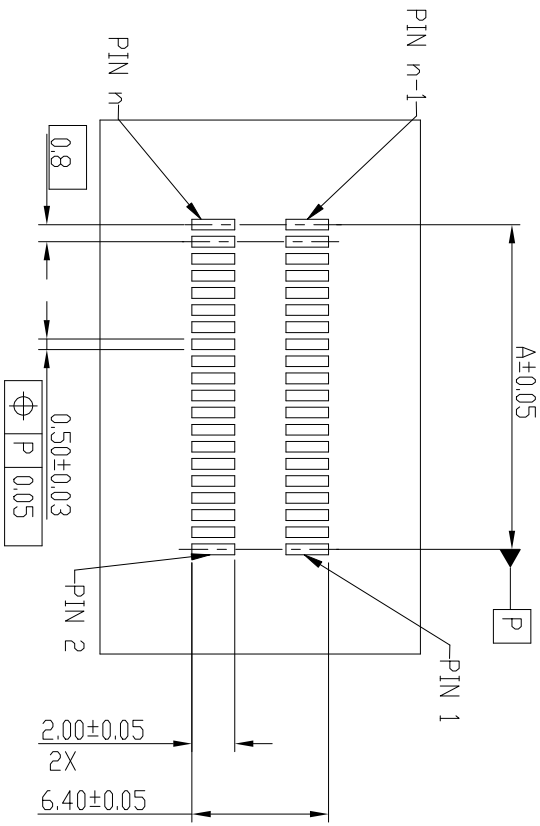
mat'l. code	ecn no	dr	date	surface	tolerance	projection	product family
A	EX-N-375H	Bob	07/25/17	ISO 1302	ISO 406 ISO	110H	BERGSTAK
B	EX-N-375H	Bob	02/22/19	tolerances unless otherwise specified		mm	RECEPTACLE ASSY
C	EX-N-45660	Alan	08/17/22	angles: linear	.05±.2	mm	BERGSTAK 0.8MM
D	EX-N-46620	Alan	11/30/22	dr	.000±.10	scale 1:1	
		Bob	07/05/17				
		Alan	11/30/22				
		LQ	11/30/22				
		Tim	11/30/22				
sheet index	revision	A	B	C	D		
		1~7	1~7	1	1~7		

PRODUCT NO.	NUMBER OF POSITIONS	DIMENSION		
		A	B	C
10144517-021***	2X10	7.2	13.8	12.2
10144517-041***	2X20	15.2	21.8	20.2
10144517-061***	2X30	23.2	29.8	28.2
10144517-081***	2X40	31.2	37.8	36.2
10144517-101***	2X50	39.2	45.8	44.2
10144517-121***	2X60	47.2	53.8	52.2

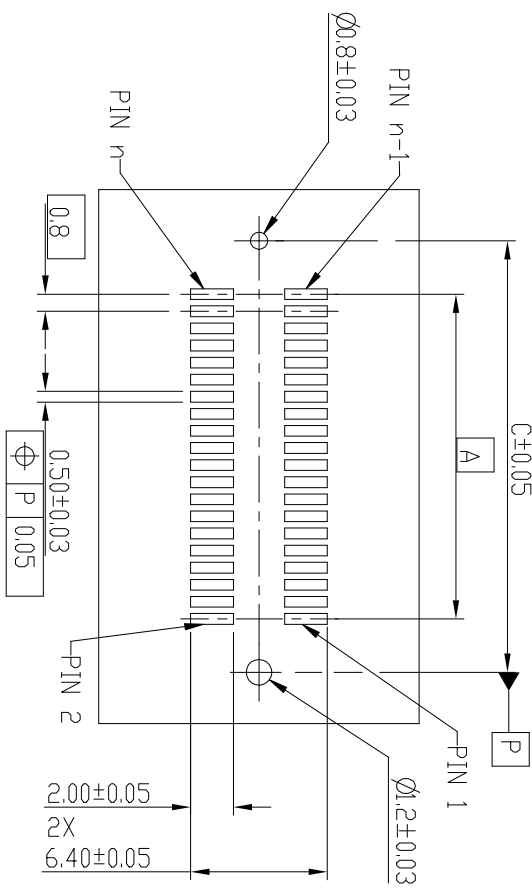


RECEPTACLE 1

mat'l. code	surface B tolerance	projection	product family
ISO 1302	ISO 406 ISO 1101	1101	BERGSTAK
tolerances unless otherwise specified	mm	mm	BERGSTAK
angles: linear .00±.15	scale 1:1		RECEPTACLE ASSY
dr X±2	.000±.10		BERGSTAK 0.8MM
engf Bob Gu 07/05/17			
chr Alan Ni 11/30/22			
qppd LQ Lei 11/30/22			
qppd Tim Yoo 11/30/22			
sheet revision A B C D	dwg no 10144517	sheet 2 of 7	size A3
index sheet 1~7 1~7 1~7 1~7	type Product Customer Drawing		



RECOMMENDED PCB LAYOUT WITHOUT PEGS AND HOLDDOWN

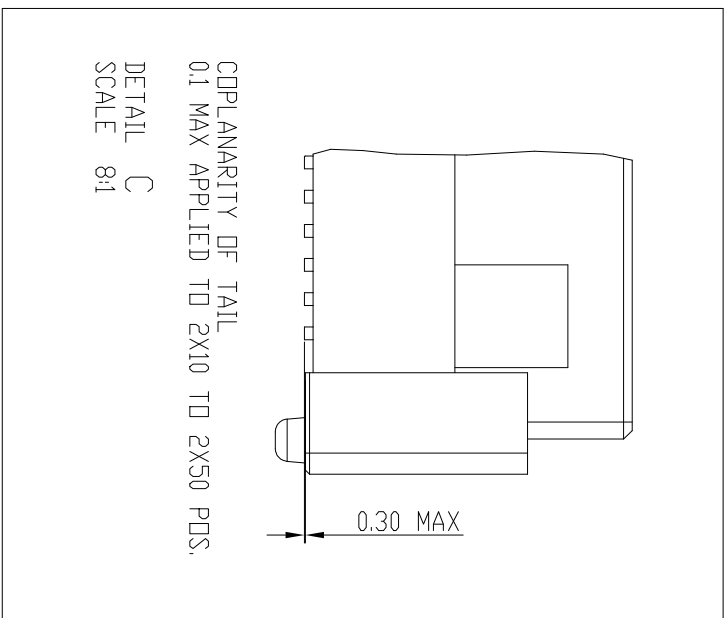
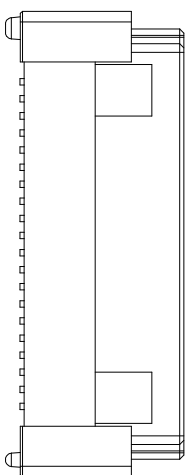
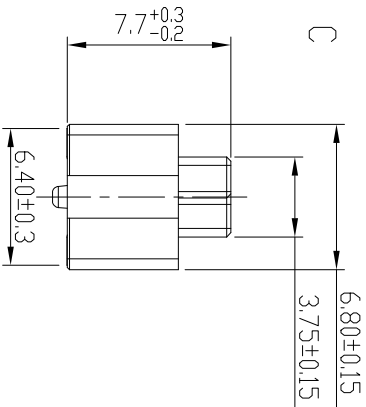
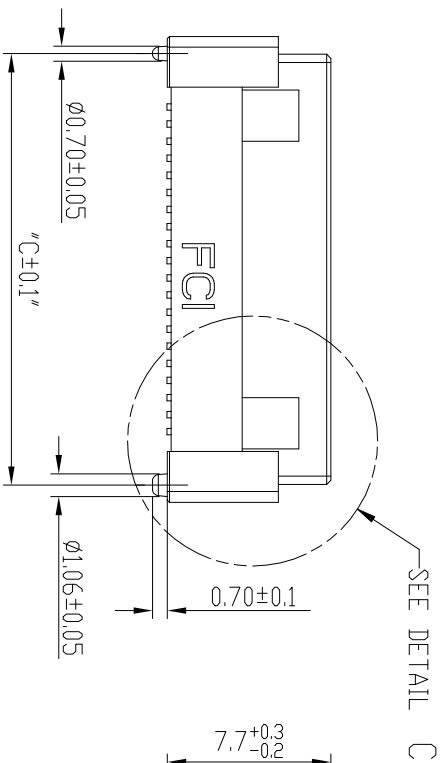
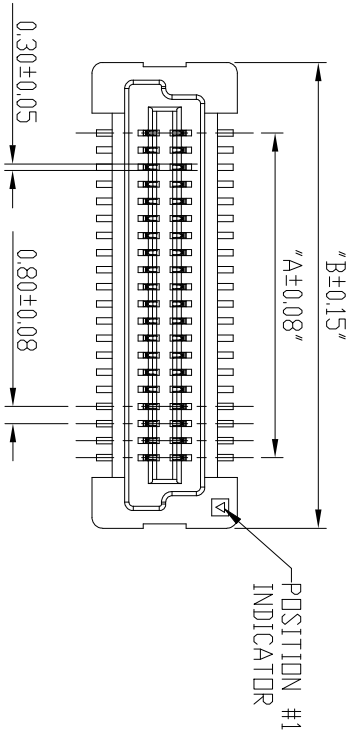


RECOMMENDED PCB LAYOUT WITH PEGS
FOR ND, DF POSITION 2X10, 2X20, 2X30, 2X40, 2X50,
2X60

RECEPTACLE 1

mat'l. code	surface	tolerance	projection	product family	
	ISO 1302	ISO 406 ISO	110°	BERGSTAK	
tr ecn no dr	tolerances unless otherwise specified			title	
	angles	.0±.2	mm	RECEPTACLE ASSY	
D	linear	.00±.15	mm	BERGSTAK 0.8MM	
	X±2°	.000±.10	scale 1:1		
	dr	Bob Gu 07/05/17		dwg no	
	eng	Alan Ni 11/30/22		sheet 3 of 7 size	
	chr	LQ Lei 11/30/22		10144517	
	qppd	Tim Yoo 11/30/22		A3	
sheet	revision	A	B	C	D
index	sheet	1~7	1~7	1~7	1~7

PRODUCT NID	NUMBER OF POSITIONS	DIMENSION		
		A	B	C
10144517-022***	2X10	7.2	13.8	12.2
10144517-042***	2X20	15.2	21.8	20.2
10144517-062***	2X30	23.2	29.8	28.2
10144517-082***	2X40	31.2	37.8	36.2
10144517-102***	2X50	39.2	45.8	44.2



RECEPTACLE 2

mat'l. code	ISO 1302	tolerance	ISO 406	ISO 1101	projection	product family
	ISO 1302	tolerance	ISO 406	ISO 1101	projection	BERGSTAK
		tolerances unless otherwise specified			1101	
		angles	.0±.2			
		linear	.00±.15			
		X±Z	.000±.10		mm	
		dr	Bob Gu	07/05/17		
		eng	Alan Ni	11/30/22		
		chr	LQ Lei	11/30/22		
		qppd	Tim Yoo	11/30/22		
		sheet				
		revision	A	B	C	D
		index	1~7	1~7	1~7	1~7

product family
BERGSTAK

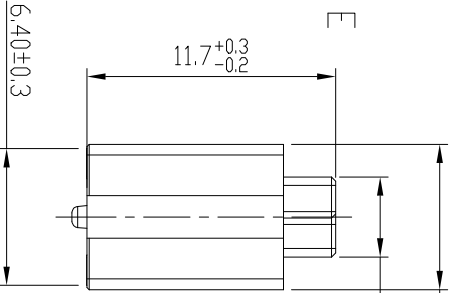
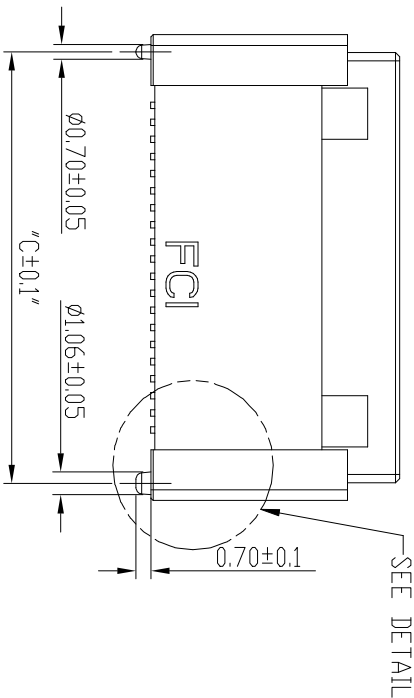
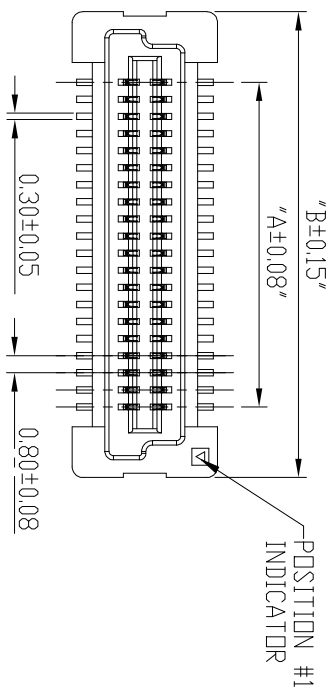
title
RECEPTACLE ASSY
BERGSTAK 0.8MM

dwg no
10144517

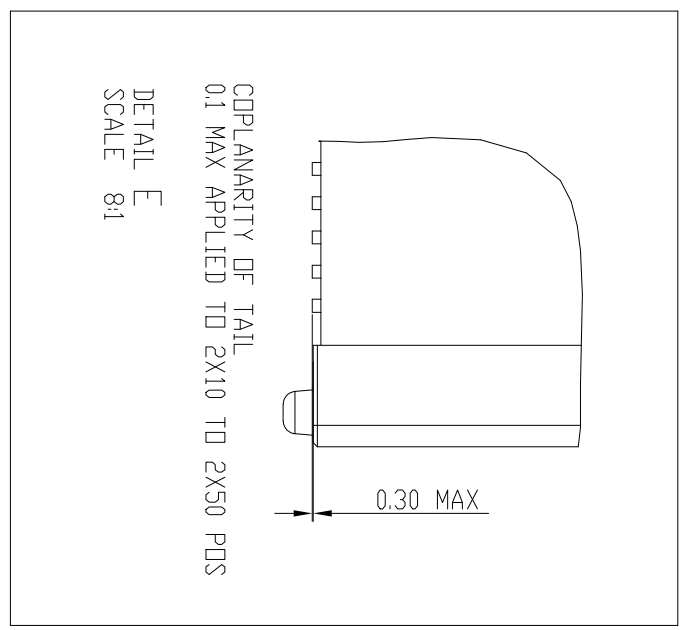
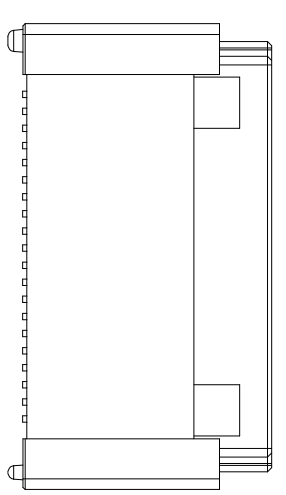
sheet 4 of 7 size
A3

type
Product Customer Drawing

PRODUCT NO.	NUMBER OF POSITIONS	DIMENSION		
		A	B	C
10144517-023***	2X10	7.2	13.8	12.2
10144517-043***	2X20	15.2	21.8	20.2
10144517-063***	2X30	23.2	29.8	28.2
10144517-083***	2X40	31.2	37.8	36.2
10144517-103***	2X50	39.2	45.8	44.2



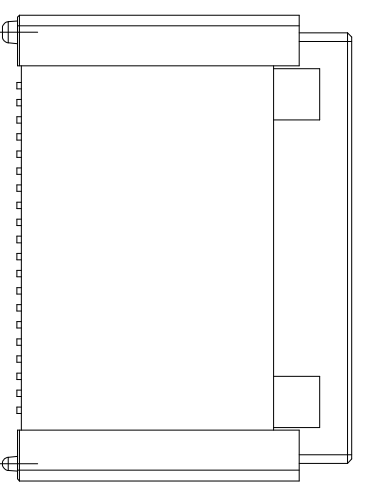
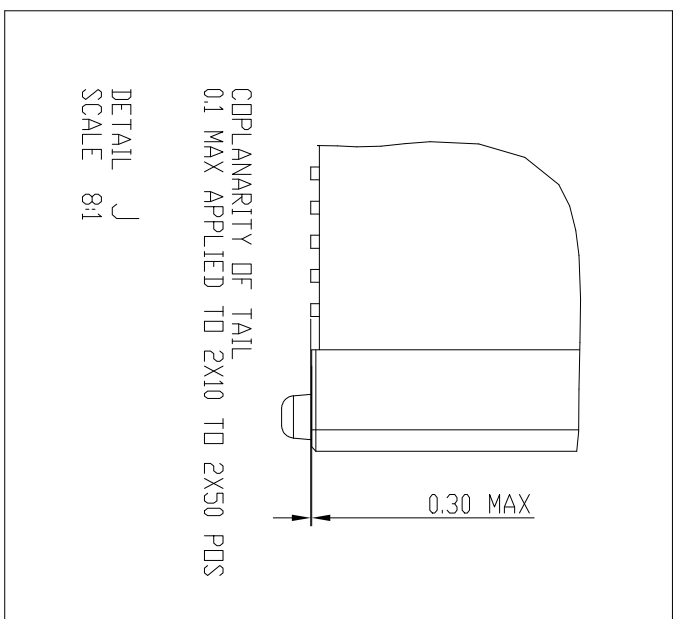
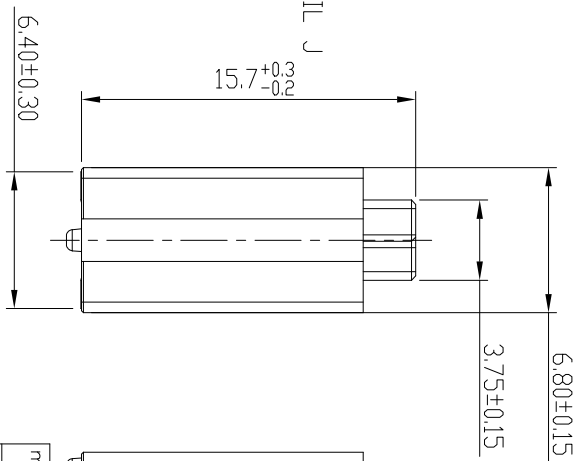
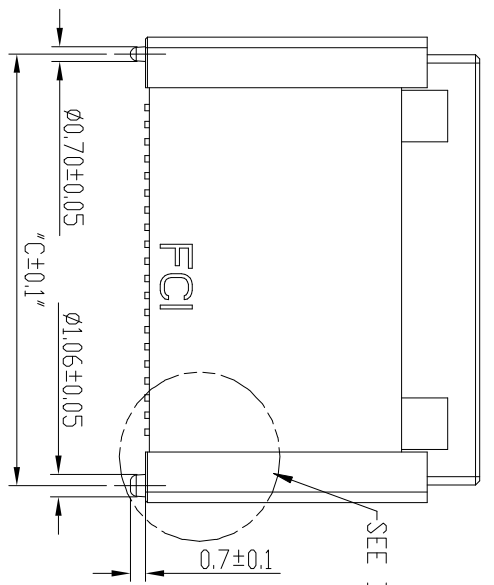
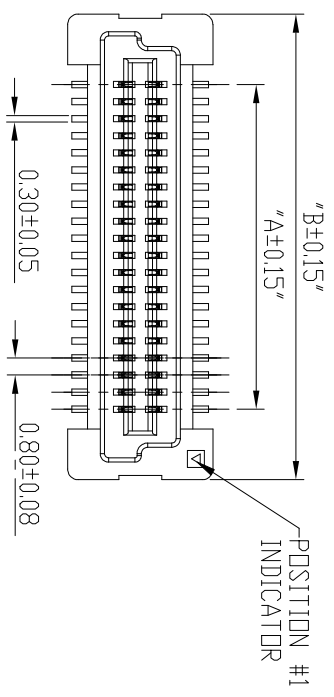
6.80±0.15
3.75±0.15



RECEPTACLE 3

mat'l. code	surface	tolerance	projection	product family	
	ISO 1302	ISO 406 ISO	110°	BERGSTAK	
	tolerances unless otherwise specified			title	
	angles	.0±.2	mm	RECEPTACLE ASSY	
	linear	.00±.15	mm	BERGSTAK 0.8MM	
	X±2°	.000±.10	scale 1:1	dwg no	
	dr	Bob Gu	07/05/17	10144517	
	eng	Alan Ni	11/30/22	sheets of 7 size	
	chr	LQ Lei	11/30/22	A3	
	qppd	Tim Yeo	11/30/22	type	
sheet index	revision	A	B	C	D
	sheet	1~7	1~7	1~7	1~7

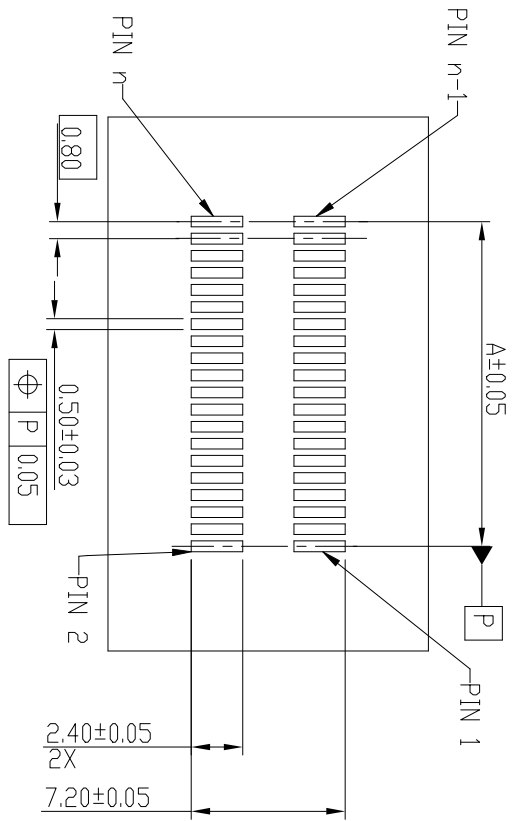
PRODUCT NO.	NUMBER OF POSITIONS	DIMENSION		
		A	B	C
10144517-024***	2X10	7.2	13.8	12.2
10144517-044***	2X20	15.2	21.8	20.2
10144517-064***	2X30	23.2	29.8	28.2
10144517-084***	2X40	31.2	37.8	36.2
10144517-104***	2X50	39.2	45.8	44.2



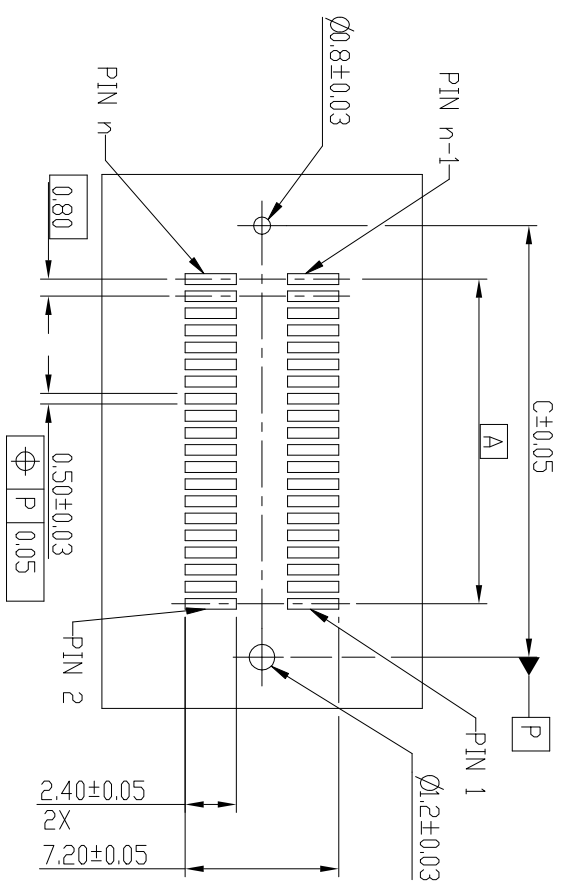
RECEPTACLE 4

mat'l. code	surface	tolerance	projection	product family
1tr ecn no dr	ISO 1302	ISO 406 ISO	110°	BERGSTAK
date	tolerances unless otherwise specified		mm	title
	angles: linear	.05, .2	scale 1:1	RECEPTACLE ASSY
D	X±2°	.000±.10		BERGSTAK 0.8MM
	dr	Bob Gu 07/05/17		dwg no
	engf	Alan Ni 11/30/22		10144517
	chr	LQ Lei 11/30/22		sheet 6 of 7 size
	qppd	Tim Yoo 11/30/22		A3
sheet	revision	A B C D		type
index	sheet	1~7 1~7 1 1~7		Product Customer Drawing

RECEPTACLE 2 & 3 & 4



RECOMMENDED PCB LAYOUT WITHOUT PEGS AND HOLDDOWN



RECOMMENDED PCB LAYOUT WITH PEGS
FOR NO. OF POSITION 2X10, 2X20, 2X30, 2X40, 2X50

mat'l. code	surface	tolerance	projection	product family
ISO 1302	ISO 406	ISO	110°	BERGSTAK
tolerances unless otherwise specified	.05, .2		mm	title
angles	linear	.00±.15	scale 1:1	RECEPTACLE ASSY
X±2°	.000±.10			BERGSTAK 0.8MM
dr	Bob Gu	07/05/17		dwg no
engr	Alan Ni	11/30/22		10144517
chr	LQ Lei	11/30/22		sheet 7 of 7 size
qppd	Tim Yoo	11/30/22		A3
sheet index	revision	A	B	C
sheet index	revision	1~7	1~7	1~7